

CSP6

600mm Gas Waterless Stockpot



CSP6

- 800mm compact depth
- Low 600mm potstand height
- Cobra suite matching
- 70 MJ/hr 18 jet Duckbill burner¹
- High splashback with shelf
- Pot filling water laundry swivel arm on splashback
- Stainless steel deck
- Rear waste channel
- Stainless steel spill tray
- Cast iron potstand
- Suits up to 150L Stockpot
- Flame failure protection with pilot burner

OVERALL CONSTRUCTION

- Full chassis construction
- Double skin insulated deck
- Stainless steel exterior finish
- Heavy-duty cast iron pot stand
- Stainless steel spill tray
- 63mm dia. stainless steel legs with adjustable feet

CONTROLS

- Pilot On/Off control with flame failure valve
- Main burner On/Off valve with High-Low burner adjustment
- Quarter turn main burner control handles
- Quarter turn water valve handle

CLEANING AND SERVICING

- Stainless steel exterior finish
- Lift off potstand for full cleaning ability
- Slide out spill tray
- Rear waste channel with removable grate for debris collection
- Access to all parts from front and top for servicing



Duckbill burner

¹ NZ models Duckbill burner rating 105MJ/hr Natural Gas / 85MJ/hr on LP gas.

Matching Products



CW2H



CN4



CT9



CW3H



CW1H



CP4



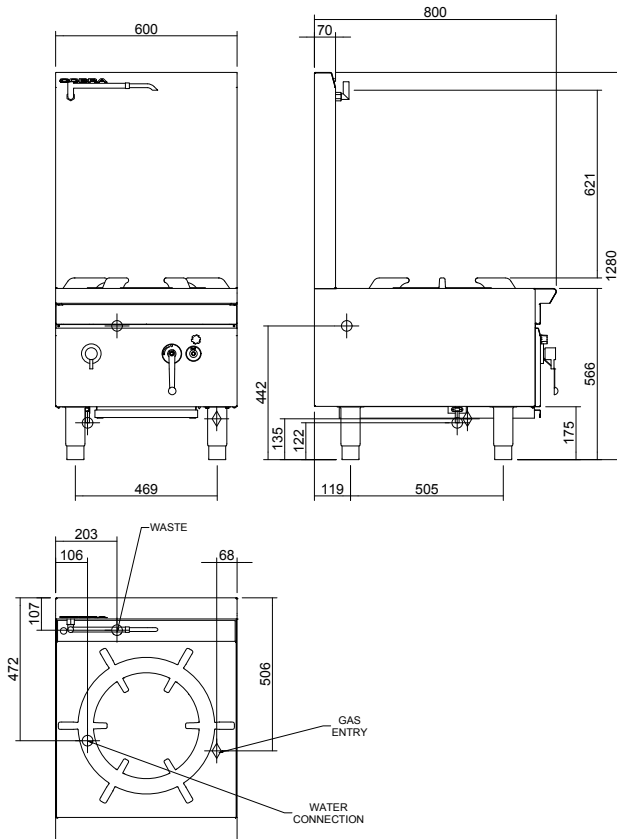
CS9 / C900-S



C6B

CSP6

600mm Gas Waterless Stockpot



CSP6

SPECIFICATIONS

Burners
 70MJ/hr 18 jet Duckbill burner
Gas Rating - Total
 70MJ/hr
Cooking area
 Stock Pot area 600mm x 600mm
 Suits up to 150L stock pot
Gas connection
 R3/4 (BSP) male
 68mm from RH side, 506mm from rear, 135mm from floor
 All units supplied with Natural-LP gas regulator
 Supplied gas regulator includes Test Point for appliance operating pressure
 Supplied regulator must be fitted to appliance gas connection when installed

Water connection
 Cold water connection
 1/2" O.D. copper tube
 106mm from LH side, 472mm from rear, 122mm from floor
Drain connection
 Connection to waste drain
 1-1/4" BSP male diameter drain waste 203mm from LH side, 107mm from rear, 442mm from floor
Dimensions
 Width 600mm
 Depth 800mm
 Height 566mm
 Incl. splashback 1280mm
Nett weight
 68kg

Packing data
 0.76m³, 118kg
 Width 635mm
 Depth 865mm
 Height 1382mm

Gas types
 Available in Natural gas and LP gas, please specify when ordering



Cert. No. AGA 6878G

moffat.com.au
moffat.co.nz

Australia
moffat.com.au

Moffat Pty Limited

Victoria/Tasmania
 740 Springvale Road
 Mulgrave, Victoria 3170
 Telephone +613-9518 3888
 Facsimile +613-9518 3833
vsales@moffat.com.au

New South Wales
 Telephone +612-8833 4111
nswsales@moffat.com.au

South Australia
 Telephone +613-9518 3888
vsales@moffat.com.au

Queensland
 Telephone +617-3630 8600
qldsals@moffat.com.au

Western Australia
 Telephone +618-9413 2400
wasales@moffat.com.au

New Zealand
moffat.co.nz

Moffat Limited

Rolleston
 45 Illinois Drive
 Izone Business Hub
 Rolleston 7675
 Telephone +64 3-983 6600
 Facsimile +64 3-983 6660
sales@moffat.co.nz

Auckland
 Telephone +64 9-574 3150
sales@moffat.co.nz



Designed and manufactured by



ISO9001
 All Cobra products are designed and manufactured by Moffat using the internationally recognised ISO9001 quality management system, covering design, manufacture and final inspection, ensuring consistent high quality at all times.

In line with policy to continually develop and improve its products, Moffat Limited reserves the right to change specifications and design without notice.

© Copyright Moffat Ltd
 AN.C.01.19 / 1598

an Ali Group Company



The Spirit of Excellence