

Specification

VarioCookingCenter® 112T (2x12 dm², 2x14 l)

Reference number:



Description

- Multifunctional cooking appliance for boiling, frying and deep frying, VarioCooking Control® - mode to automatically cook meat, fish, vegetables and side dishes, egg dishes, soups and sauces, dairy products and desserts, Finishing® and service.
- Manual mode for most of the cooking methods used in commercial kitchens. Suitable for boiling, frying and deep frying
- With two pans that can be operated independently of one another
- Temperature range: 30 - 250 °C

Working safety

- Cooking or washing water is emptied directly through the pan (without tilting and without floor drain)
- Operating and warning display, e.g. hot oil when deep frying
- Safety temperature limiter
- Maximum temperature of the pan sides 70 °C
- HACCP data output and software update via the integrated Ethernet and USB port

Operation

- 8.5" TFT colour monitor and touch screen with self-explanatory symbols for ease of operation
- Central dial with "Push" function to confirm entries
- Application and user manuals can be called up on the unit display for the current action

Features

- Core temperature probe with 6 measuring points with patented core temperature probe holder
- VarioDose automatic highly accurate water filling device
- Fixed waste water connection possible as unit incorporates integral pipe isolating section
- VarioBoost® patented heating system
- Cooking process control with microprocessor
- USB port
- Ethernet
- Integral ON/OFF switch
- Variable foreign language display for messages from the unit
- Temperature unit can be toggled between °C and °F
- Digital temperature displays
- Actual and target value displays
- Digital timer, 0-24 hours with permanent settings, may be toggled between hour/min and min/sec
- 24-hour real-time clock
- Material: stainless steel DIN 1.4301, inside and outside
- Seamless hygienic pan with rounded corners
- Cooking pan tilted by electric cylinder
- Service Diagnostic System with service messages displayed automatically
- Protection class IP X5

Additional functions

- AutoLift raising and lowering device (baskets for boiled and deep-fried food)
- HACCP datamemory and outputting via USB port
- Individual programming of 350 cooking programs
- Delta-T cooking
- Energy efficiency tested according to DIN 18873 and consumption values published in database HKI CERT (Germany): <http://grosskuechen.cert.hki-online.de/en>

Installation

- Can be set up without a floor drain
- Height adjustable device pedestals 15 to 60mm
- Foam support

VarioCooking Control® - 7 process groups






Function: VarioCooking Control® mode

In the 7 cooking modes (meat, fish, vegetables and side dishes, egg dishes, soups and sauces, dairy products and desserts, Finishing® and service)

VarioCooking Control® automatically detects the product-specific requirements, the size of the food to be cooked and the load size. The cooking time and temperature are continuously adjusted to achieve the result you want. The operator is actively guided through the cooking processes. The remaining cooking time is displayed.

Manual mode

-  Boiling: 30 °C - BoilingT
-  Frying: 30 °C - 250 °C
-  Deep frying: 30 °C - 180 °C

VarioBoost®



patented, net-type heating system for absolutely even and precise temperature transmission

Program – mode



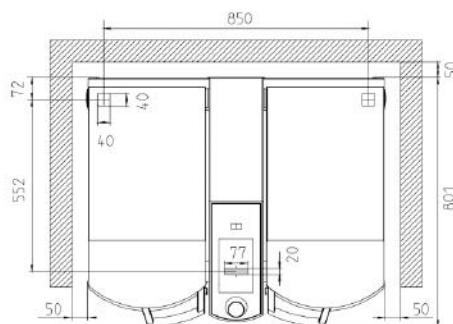
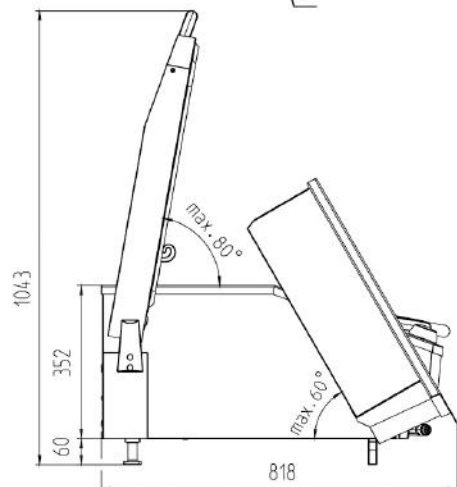
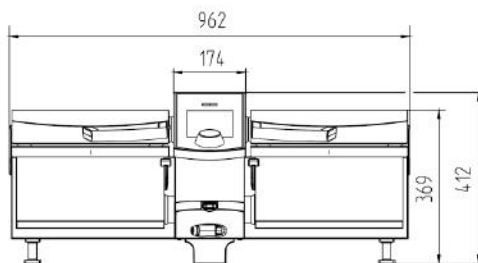
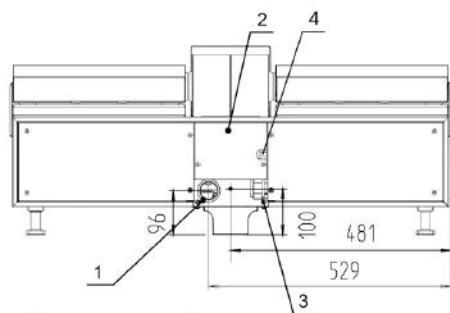
The program management function allows to create own programs, save and manage VarioCooking Control® processes and programs with individual settings.

Approval



Designer:

VarioCookingCenter® 112T (2x12 dm², 2x14 l)



1. Drain connection DN40
2. Water supply cold G3/4
3. Electrical connection
4. Splashwater-proof Ethernet socket RJ45

Measurements in mm

Technical Info

Working capacity	2 x 14 litre	Weight:	99 kg	Recommended air extraction rate*:	997 m ³ /h
Volume :		Water connection cold water:	R3/4" for 1/2" pressure hose	Connected load**:	17 kW - 3NAC
Pan Volume [WxDxH]:	275 x 445 x 130 mm	Water pressure:	150-600 kPa / 1.5-6 bar		400-415V
Area [dm²]:	2 x 12 dm ²	Drain connection:	DN 40	Fuse***:	25 A - 30 mA 4-pol
Capacity baskets:	2 x 1 kg	Thermal load latent:	4845 W (285 W/kW)	Incoming cable***:	5 x 2,5 mm ²
Width:	962 mm	Thermal load sensitive:	972 W (57 W/kW)	Data interface:	Splashwater proof LAN socket RJ45
Depth:	801 mm				
Height:	412 mm				

Installation

- *In normal operation according to VDI 2052 (application mix 60% boiling, 38% frying, 2% deep-frying). In case of differing application prior to the construction of the room ventilation system, consult RATIONAL
- **Special voltages on request
- ***Values shown are for a maximum cable length of 2 m. It is the responsibility of the person installing the unit to adjust these values according to the length of cable which will be in use.
- If the unit does not contain the optional RCCB for the socket, the equipment must be connected to a circuit which is protected by a 30mA RCD. Otherwise, we recommend to protect the unit by an external 30mA RCD.
- Installations must comply with all local electrical, plumbing and ventilation codes (IEC364 or national standard in harmonisation with the IEC364)
- For proper usage of ConnectedCooking a network socket according to RJ45 has to be provided. For optimal performance a cable-bound connection with a data rate of at least 10 Mb/s is the preferred connection. Alternatively W-LAN connections with appropriate W-LAN adaptors can be used.

Options

- Integral hand shower with automatic retracting system and infinitely variable jet strength (with hand shower WRAS cat. 5, without WRAS cat. 3)
- Connection to Sicotronic (others on request)
- Without deep-frying mode
- Special voltages on request

Accessories

- Scraper
- Arm for automatic raising/lowering device
- Boiling and deep-frying basket
- Colander
- Rack
- VarioMobil®
- Water connection kit
- Support table UG12, standard, mobile
- Kit for closing the drain
- ConnectedCooking - the networking solution for professional kitchens

RATIONAL UK

Unit 4 Titan Court, Laporte Way
Portenway Business Park, Luton LU4 8EF
Tel.: +44 (0) 1582 480388, Fax.: +44 (0) 1582 485001

Visit us on the internet: www.rational-online.uk

We reserve the right to make technical improvements