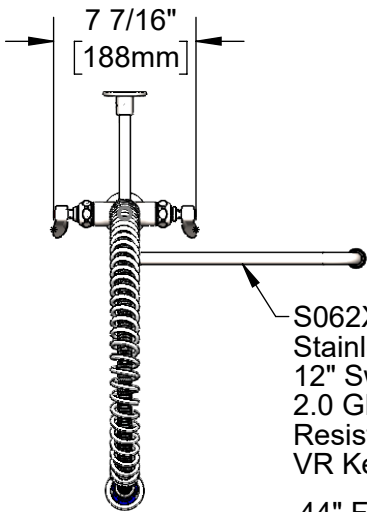


EVERSTEEL™

This Space for Architect/Engineer Approval

Job Name _____ Date _____
 Model Specified _____ Quantity _____
 Customer/Wholesaler _____
 Contractor _____
 Architect/Engineer _____



S062X-V20
Stainless Steel
12" Swing Nozzle w/
2.0 GPM Vandal
Resistant Aerator.
VR Key (Included)

44" Flexible Stainless Steel
Hose w/ Spring & Spray Valve

Items Not Shown
For Clarity

Stainless Steel
3/8" NPT x 24" Riser

Stainless
Steel Finger
Hook

S-0107-J
Stainless Steel
1.07 GPM
Spray Valve

S-0109-01
Stainless
Steel
6" Wall
Bracket

46 1/4"
[1175mm]

EasyInstall
Lock Nut &
Bushing

2 5/16"
[58mm]

12"
[305mm]

14 11/16"
[373mm]

11 9/16"
[293mm]

16 7/8"
[429mm]

Mounting
Surface

2 5/16"
[59mm]

7 1/8"
[181mm]

Stainless
Steel
EasyInstall
Add-On
Faucet w/
Full Turn
Eterna
Cartridge
& Lever
Handle

Stainless Steel Full Turn
Eterna Cartridges w/
Spring Checks & Stainless
Steel Lever Handles w/
Color Coded Indexes

18" Flexible Stainless Steel Supply
Hoses w/ G1/2 Female Swivel Fittings
(Compatible w/ 1/2" NPSM Threads)

Ø 2 1/4"
[57mm]
Deck Flange

1 7/8"
[48mm]
Maximum
Thickness

14 1/16"
[357mm]

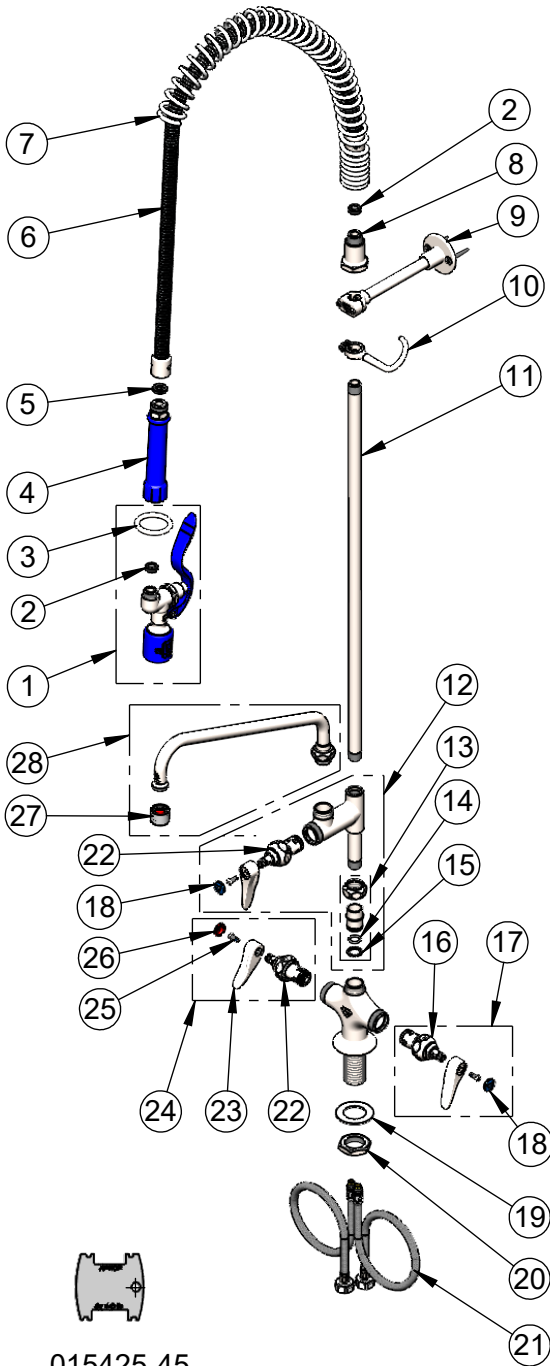
Rough-In Requirement:
Ø 1 1/2" [38mm] Mounting Hole

Product Specifications:

Pre-Rinse Unit: EasyInstall Stainless Steel Single Hole Deck Mount Mixing
Faucet, SS Full Turn Eterna Cartridges w/ Spring Checks, SS Lever Handles,
SS Add-On Faucet, SS 12" Swing Nozzle, 44" Flexible Stainless Steel Hose,
SS 1.07 GPM Spray Valve, SS 6" Wall Bracket & Flexible Stainless Steel
Supply Hoses

Product Compliance:

ASME A112.18.1 / CSA B125.1
NSF 61 - Section 9
NSF 372 (Low Lead Content)
AS/NZ WaterMark / WELS



015425-45
Vandal Resistant Key
(Included)

| ITEM NO. | SALES NO. | DESCRIPTION |
|----------|---------------|--|
| 1 | S-0107-J | Stainless Steel 1.07 GPM Spray Valve (Blue) |
| 2 | 010476-45 | #27 Washer |
| 3 | S000907-30 | SS Spray Valve Hold Down Ring |
| 4 | S011482-30 | Stainless Steel Grip Handle (Blue) |
| 5 | 001014-45 | Washer, Hose Barrel |
| 6 | S-0044-H2A | 44" Flexible Stainless Steel Hose, Less Handle |
| 7 | S000888-30 | SS EasyInstall Overhead Spring |
| 8 | S000821-30 | Stainless Steel Spring Body |
| 9 | S-0109-01 | Stainless Steel 6" Wall Bracket |
| 10 | S004R | Stainless Steel Finger Hook |
| 11 | S000372-30 | Stainless Steel 3/8" NPT x 24" Riser |
| 12 | AS-0155-LNEZ | Stainless Steel EasyInstall Add-On Faucet w/ Full Turn Eterna Cartridge & Lever Handle (Less Nozzle) |
| 13 | SEZ-K | Stainless Steel EasyInstall Kit: Nut, Bushing, O-ring & Lock Washer |
| 14 | 001065-45 | O-Ring |
| 15 | 014200-45 | Star Washer, Anti-Rotation |
| 16 | S012442-30FT | Stainless Steel Full Turn Eterna Cartridge w/ Spring Check, LTC |
| 17 | S002711-30FT | Stainless Steel Full Turn Eterna Cartridge w/ Spring Check, Handle, Blue Index & Screw, LTC |
| 18 | 018506-19NS | Blue Button Index, Press-in |
| 19 | S007365-20 | Stainless Steel Lock Washer |
| 20 | S000965-20 | Stainless Steel Lock Nut |
| 21 | 012436-45DR | Flexible Connector Hose |
| 22 | S012443-30FT | Stainless Steel Full Turn Eterna Cartridge w/ Spring Check, RTC |
| 23 | S001638-30NS | Lever Handle (New Style) |
| 24 | S002712-30FT | Stainless Steel Full Turn Eterna Cartridge w/ Spring Check, Handle, Red Index & Screw, RTC |
| 25 | 000925-45 | Lab Handle Screw |
| 26 | 001193-19NS | Red Button Index, Press-in |
| 27 | S-0199-06-F20 | VR 2.0 GPM [7.6 L/min] Aerator, 55/64-27 Female w/ Key |
| 28 | S062X-V20 | Stainless Steel 12" Swing Nozzle |

Product Specifications:

Pre-Rinse Unit: EasyInstall Stainless Steel Single Hole Deck Mount Mixing Faucet, SS Full Turn Eterna Cartridges w/ Spring Checks, SS Lever Handles, SS Add-On Faucet, SS 12" Swing Nozzle, 44" Flexible Stainless Steel Hose, SS 1.07 GPM Spray Valve, SS 6" Wall Bracket & Flexible Stainless Steel Supply Hoses

Product Compliance:

ASME A112.18.1 / CSA B125.1
NSF 61 - Section 9
NSF 372 (Low Lead Content)
AS/NZ WaterMark / WELS