












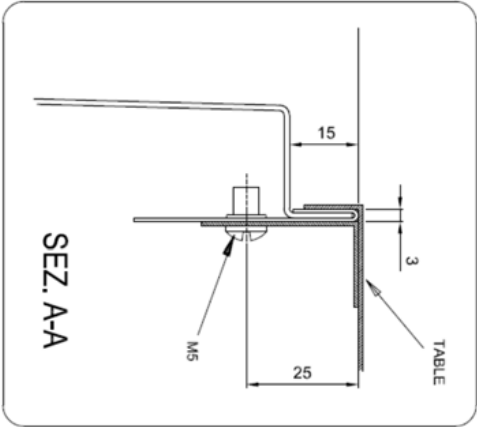
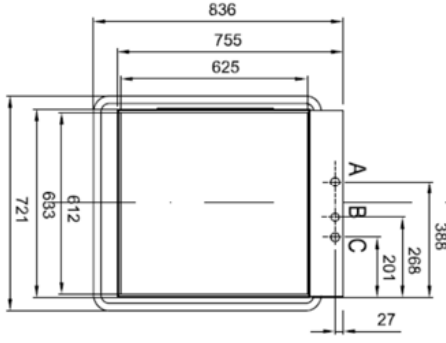
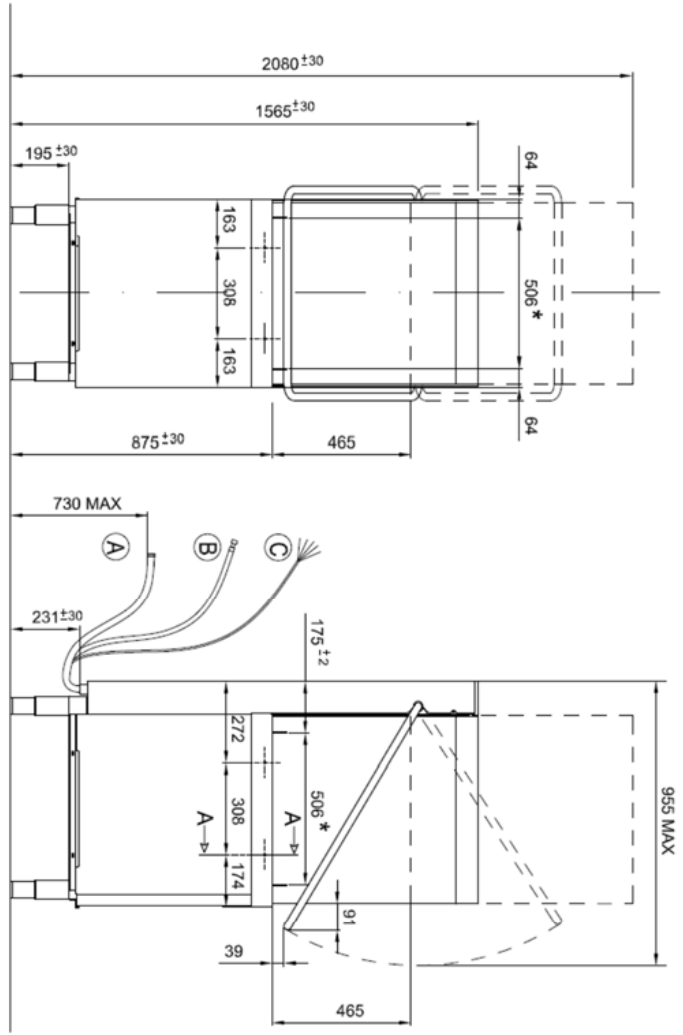
# TECHNICAL DATA SHEET

## PASSTHROUGH DISHWASHER I PT63

Code: EPQ004      2 Year Parts & Labour Warranty

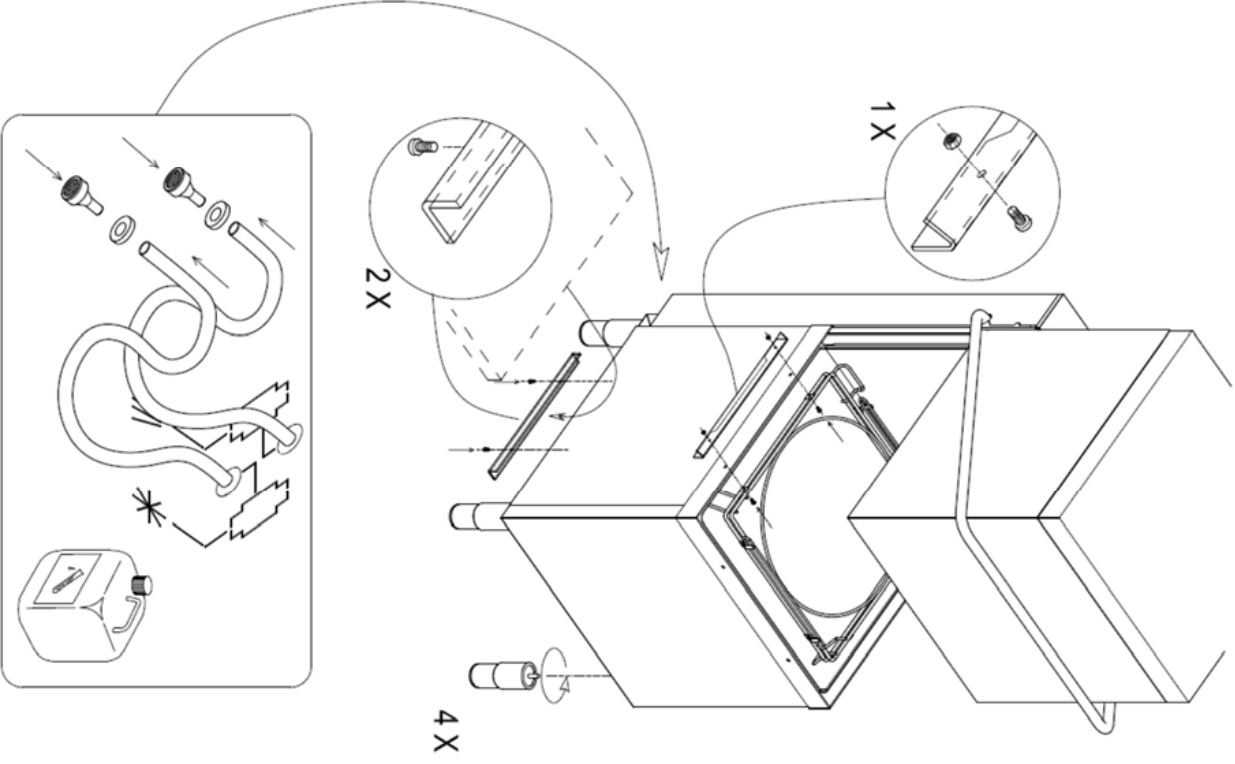


	<b>EXTERNAL DIMENSIONS, WEIGHT &amp; VOLUME</b>	Overall Dimension (Width-Depth-Height)*Open	mm	721 x 755 (*836) x 1565 (*2080)
		Packaging Dimension (W x D x H)	mm	870 x 760 x 1540
		Gross Weight	kg	120
		Net Weight	kg	110
		Volume	mc	1.02
	<b>CONSTRUCTION</b>	Rack Size	mm	500 x 500
		Max Door / Hood Opening	mm	465
		Max Glasses / Plate Height	mm	440
		General Construction		Double Skin
		Door / Hood Construction		Single Skin
	<b>TANK</b>	Tank Construction		Deep Drawn
		Tank Volume	Litre	22
		Tank Heating Element	W	2.500
		Tank Surface Strainers		Yes - Composite
	<b>WASH PUMP</b>	Wash Pump Type		Double Flow
		Wash Pump Power	W	700
		Wash Temperature	°C	60
	<b>BOILER</b>	Boiler Type		Without Pressure
		Boiler Volume	Litre	12
		Back-Flow System		Break Tank
		Boiler Heating Element	W	6.000
	<b>RINSE</b>	Rinse Booster Pump		Yes
		Rinse Booster Pump Power	W	200
		Rinse Temperature	°C	82–85
		Rinse Water Consumption	Litre/Rack	1.9
		Optimal External Water Pressure	Bar	1 – 4
	<b>DRAIN</b>	Drain System		Deep Drain
		Drain Pump		Standard Built In
	<b>RINSE AID &amp; DETERGENT DISPENSER</b>	Rinse Aid Dispenser	Peristaltic	Yes
		Detergent Dispenser	Peristaltic	Yes
	<b>WASH</b>	Wash Cycle	Sec	60 - 120 - 150 - Continuous
		Self Cleaning		Yes
		Automatic Drain		No
	<b>POWER</b>	Electric Power	W	6.700
		Electric Connection	V - Ph - Hz	400V 3N 50Hz
		Fuse	Amp	16
	<b>INSTALLED PARTS</b>	Plate Rack	Nº1	Yes
		Flat Rack	Nº1	Yes
		Cutlery Rack	Nº1	Yes
		Electric Cable "Australia Plug"	Nº1	Yes
		Drain Hose	Nº1	Yes
		Fill Hose "WaterMark"	Nº1	Yes



A		∅ 32 mm
B		G 3/4"
C		Power supply

\* LUCE UTILE PER GESTELLO  
 USEFUL SPACE FOR BASKET  
 LUMIERE UTILE POUR PANIER  
 NUTZBARE OFFNING FÜR KORBE  
 ABERTURA UTIL PARA CESTO



<b>Installation layout</b>		<b>Hood type with drain pump</b>	
Designed by:	M.PUCCI	Date:	03.12.2013
Determination:		Code:	73991_01
		Rev.:	01