



T&S BRASS AND BRONZE WORKS, INC.
 2 Saddleback Cove / P.O. Box 1088
 Travelers Rest, SC 29690

Model No.
AS-0113-12V20-BJ

Item No.

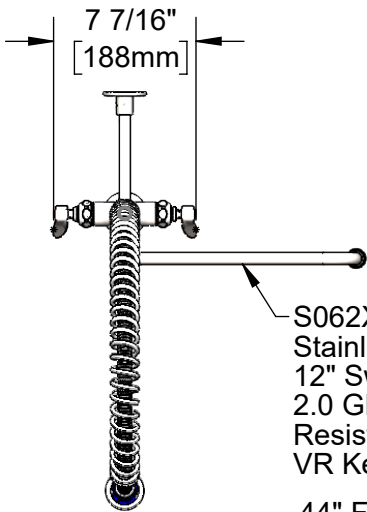
Travelers Rest, SC: 800-476-4103 • Simi Valley, CA: 800-423-0150 • Fax: 864-834-3518 • www.tsbrass.com

EVERSTEEL



This Space for Architect/Engineer Approval

Job Name _____ Date _____
 Model Specified _____ Quantity _____
 Customer/Wholesaler _____
 Contractor _____
 Architect/Engineer _____



S062X-V20
 Stainless Steel
 12" Swing Nozzle w/
 2.0 GPM Vandal
 Resistant Aerator.
 VR Key (Included)

44" Flexible Stainless Steel
 Hose w/ Spring & Spray Valve

Items Not Shown
 For Clarity

Stainless Steel
 3/8" NPT x 24" Riser

Stainless
 Steel Finger
 Hook

S-0107-J
 Stainless Steel
 1.07 GPM
 Spray Valve

S-0109-01
 Stainless
 Steel
 6" Wall
 Bracket

EasyInstall
 Lock Nut &
 Bushing

2 5/16"
 [58mm]

12"
 [305mm]

14 11/16"
 [373mm]

11 9/16"
 [293mm]

16 7/8"
 [429mm]

Mounting
 Surface

2 5/16"
 [59mm]

Stainless
 Steel
 EasyInstall
 Add-On
 Faucet w/
 Full Turn
 Eterna
 Cartridge
 & Lever
 Handle

46 1/4"
 [1175mm]

7 1/8"
 [181mm]

Stainless Steel Full Turn
 Eterna Cartridges w/
 Spring Checks & Stainless
 Steel Lever Handles w/
 Color Coded Indexes

Ø 2 1/4"
 [57mm]
 Deck Flange

1 7/8"
 [48mm]
 Maximum
 Thickness

18" Flexible Stainless Steel Supply
 Hoses w/ G1/2 Female Swivel Fittings
 (Compatible w/ 1/2" NPSM Threads)

14 1/16"
 [357mm]

Rough-In Requirement:
 Ø 1 1/2" [38mm] Mounting Hole

Product Specifications:

Pre-Rinse Unit: EasyInstall Stainless Steel Single Hole Deck Mount Mixing
 Faucet, SS Full Turn Eterna Cartridges w/ Spring Checks, SS Lever Handles,
 SS Add-On Faucet, SS 12" Swing Nozzle, 44" Flexible Stainless Steel Hose,
 SS 1.07 GPM Spray Valve, SS 6" Wall Bracket & Flexible Stainless Steel
 Supply Hoses

Product Compliance:

ASME A112.18.1 / CSA B125.1
 NSF 61 - Section 9
 NSF 372 (Low Lead Content)
 AS/NZ WaterMark / WELS



T&S BRASS AND BRONZE WORKS, INC.

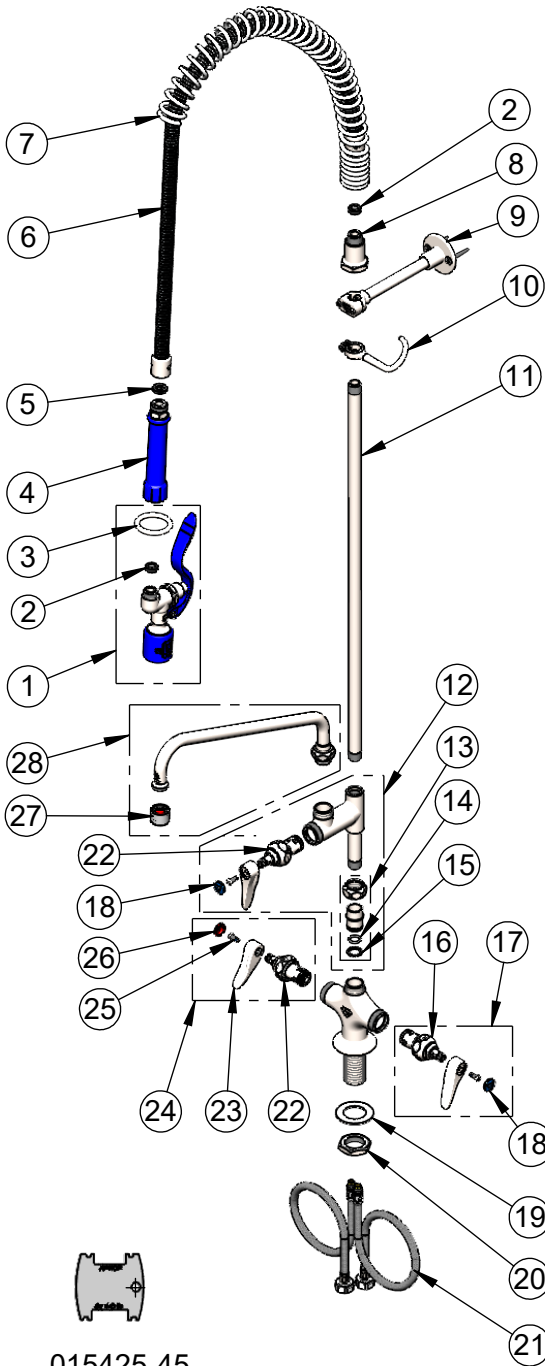
2 Saddleback Cove / P.O. Box 1088
Travelers Rest, SC 29690

Model No.

AS-0113-12V20-BJ

Item No.

Travelers Rest, SC: 800-476-4103 • Simi Valley, CA: 800-423-0150 • Fax: 864-834-3518 • www.tsbrass.com



015425-45
Vandal Resistant Key
(Included)

ITEM NO.	SALES NO.	DESCRIPTION
1	S-0107-J	Stainless Steel 1.07 GPM Spray Valve (Blue)
2	010476-45	#27 Washer
3	S000907-30	SS Spray Valve Hold Down Ring
4	S011482-30	Stainless Steel Grip Handle (Blue)
5	001014-45	Washer, Hose Barrel
6	S-0044-H2A	44" Flexible Stainless Steel Hose, Less Handle
7	S000888-30	SS EasyInstall Overhead Spring
8	S000821-30	Stainless Steel Spring Body
9	S-0109-01	Stainless Steel 6" Wall Bracket
10	S004R	Stainless Steel Finger Hook
11	S000372-30	Stainless Steel 3/8" NPT x 24" Riser
12	AS-0155-LNEZ	Stainless Steel EasyInstall Add-On Faucet w/ Full Turn Eterna Cartridge & Lever Handle (Less Nozzle)
13	SEZ-K	Stainless Steel EasyInstall Kit: Nut, Bushing, O-ring & Lock Washer
14	001065-45	O-Ring
15	014200-45	Star Washer, Anti-Rotation
16	S012442-30FT	Stainless Steel Full Turn Eterna Cartridge w/ Spring Check, LTC
17	S002711-30FT	Stainless Steel Full Turn Eterna Cartridge w/ Spring Check, Handle, Blue Index & Screw, LTC
18	018506-19NS	Blue Button Index, Press-in
19	S007365-20	Stainless Steel Lock Washer
20	S000965-20	Stainless Steel Lock Nut
21	012436-45DR	Flexible Connector Hose
22	S012443-30FT	Stainless Steel Full Turn Eterna Cartridge w/ Spring Check, RTC
23	S001638-30NS	Lever Handle (New Style)
24	S002712-30FT	Stainless Steel Full Turn Eterna Cartridge w/ Spring Check, Handle, Red Index & Screw, RTC
25	000925-45	Lab Handle Screw
26	001193-19NS	Red Button Index, Press-in
27	S-0199-06-F20	VR 2.0 GPM [7.6 L/min] Aerator, 55/64-27 Female w/ Key
28	S062X-V20	Stainless Steel 12" Swing Nozzle

Product Specifications:

Pre-Rinse Unit: EasyInstall Stainless Steel Single Hole Deck Mount Mixing Faucet, SS Full Turn Eterna Cartridges w/ Spring Checks, SS Lever Handles, SS Add-On Faucet, SS 12" Swing Nozzle, 44" Flexible Stainless Steel Hose, SS 1.07 GPM Spray Valve, SS 6" Wall Bracket & Flexible Stainless Steel Supply Hoses

Product Compliance:

ASME A112.18.1 / CSA B125.1
NSF 61 - Section 9
NSF 372 (Low Lead Content)
AS/NZ WaterMark / WELS