





Model Code: HKO516

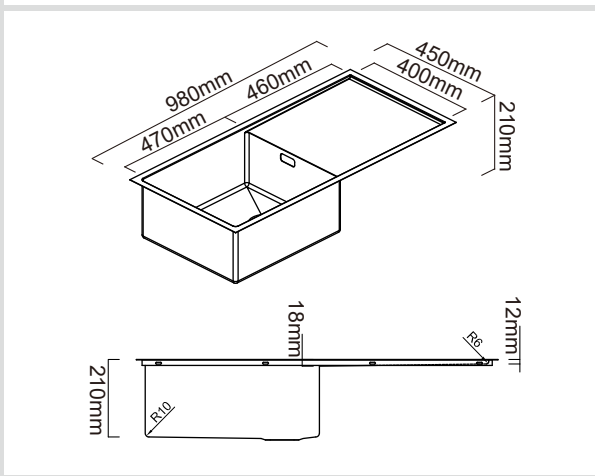
## Included Accessories

			
ICP8	WKRO-60/40-ENX		

## Optional Accessories

			
HKO48	HKO49	CNB4644	HKO44

## Dimensions



## Specifications

Description	Bowl + Drainer
Overall Sink Size	980mm x 450mm x 210mm deep
Bowl Dimensions	470mm x 400mm x 210mm deep
Drainer Length	460mm
Technic	Fabrication
Material	Stainless steel SUS304

## Installation

Fixings	Inset clips supplied
Template	N/A
Min Cabinet Size	600mm
Waste Holes	1 x 90mm round Compatible with waste disposal

## Plumbing

Waste Fittings	1 x (90mm x 1 1/2") basket wastes included
Overflow	Included

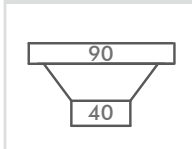
## Packaging

Carton Type	Eco-packaging & individual carton
Gross Weight	11.68Kg
Carton Size	1065mm x 325mm x 555mm
Pack QTY	1

### SURFACE FINISH



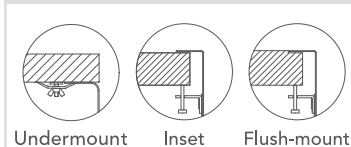
### WASTE KIT



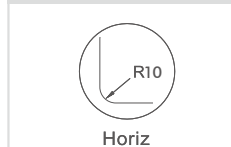
### MATERIAL



### INSTALLATION OPTIONS



### PROFILE



Burns & Ferrall is pleased to offer a limited 25-year warranty on all Zomodo sinks used in normal domestic installations. Burns & Ferrall warrants its sinks to be free from all manufacturing defects in material and workmanship. Burns & Ferrall warrants Zomodo waste kits, basket sieves and overflow assembly to be free from manufacturing defects for a period of one (1) year. Burns & Ferrall warrants Zomodo taps' stainless steel casing to be free from manufacturing defects for a period of twenty-five (25) years, the supply hose and inner cartridge for a period of five (5) years, and the inner parts including the aerator and O-ring for a period of one (1) year from the date of purchase. Burns & Ferrall will repair or replace (at Burns & Ferrall's discretion), at no charge, excluding labour, any product supplied by Burns & Ferrall that is proven to be defective under normal use.

Please visit [www.zomodo.co.nz/warranty](http://www.zomodo.co.nz/warranty) for full terms & conditions.

[www.zomodo.co.nz](http://www.zomodo.co.nz)