



H240 Undercounter Ice Machines

Models

HDF0240A



U-240

- Up to 207 lbs (94 kg) of daily ice production
- Only 26" (66.04 cm) wide, 28.00" (71.12 cm) deep, and 30.16" (76.80cm) high on 2.99" (7.60cm) legs
- 80 lb. (36 kg) ice storage capacity

Standard Features

CHOICE is designed to provide ice right where you need it -- within reach. Improvements in performance, intelligence, and convenience make your ice machine easy to own and less expensive to operate.

Easy Access – angled door provides a larger opening making ice more visible and easier to access

Intelligence – provides feedback with full bin and service indicators. Delay function allows you to pause your machine for slow periods or days when you're closed.

Easy to Clean - smooth, sealed food-zone with removable water trough, distribution tube, and damper door for faster cleaning.

Installation – the total height of machine is under 85cm with perfection for undercounter installation



Specifications

BTU Per Hour:
2,400 (average)
3,400 (peak)

Compressor:
Nominal rating: 3/7 HP

Refrigerant:
R404A

Operating Limits:

- Ambient Temperature Range:
40° to 110°F (4.4° to 43.3°C)
- Water Temperature Range:
45° to 90°F (4.4° to 32.2°C)
- Water Pressure Ice Maker
Water In:
Min. 20 psi (137.9 kPa)
Max. 80 psi (551.1 kPa)

Ice Machine Electric

Power Cord:
220-240/50/1 ice machines are factory pre-wired with a 6' (180 cm) power cord only, no plug is supplied.

Total Amps:
Air-cooled: 3.5 amps

Maximum fuse size:
Air-cooled and Water-cooled: 15 amps
HACR-type circuit breakers can be used in place of fuses.

Ice Shape

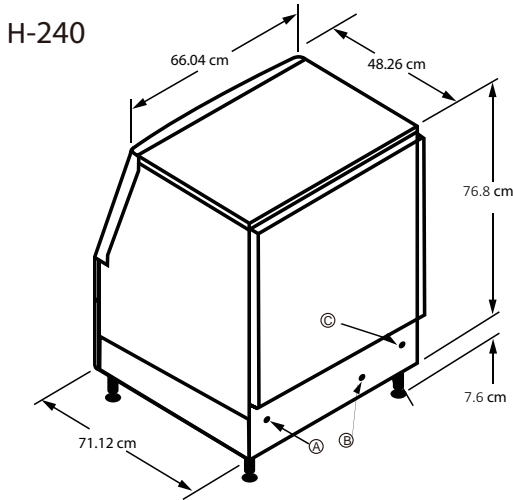


Dice
7/8" x 7/8" x 7/8"
(2.22 x 2.22 x 2.22 cm)





H240 Undercounter Ice Machines



Installation Note Recommended clearance for top, sides, and back is 5" (12.7 cm) however, there is no minimum clearance required.

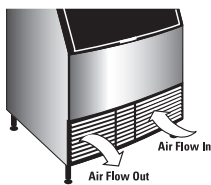
- (A) Electrical Entrance
- (B) 3/8" (0.95 cm) F.P.T. Ice Making Water Inlet
- (C) 1/2" (1.27 cm) F.P.T. Ice Making Water Drain

Specifications

Model	Ice Shape	Ice Production 24 Hours				Power kWh/ 100 lbs. @ 90°/70°F 32°/21°C	Potable water usage L /100 lbs. ice @90/70 °F
		70°Air/50°F Water 21°Air/10°C Water	85 kg	90°Air/70°F Water 32°Air/21°C Water	66 kg		
HDF-0240A	Regular	188 lbs	85 kg	145 lbs	66 kg	8.23	53.78

The suffix of model stands for air cooled.

Air Flow



Air in right, air out left, no side vents. Great for installation under countertops and next to other equipment.

Scoop



Scoop holder can be installed on both left and right sides of bin

Air Filter



Simple, tool-free removal for quick access during routine cleaning and maintenance.

©2024 Manitowoc 31/05 Continuing product improvement may necessitate change of specifications without notice.