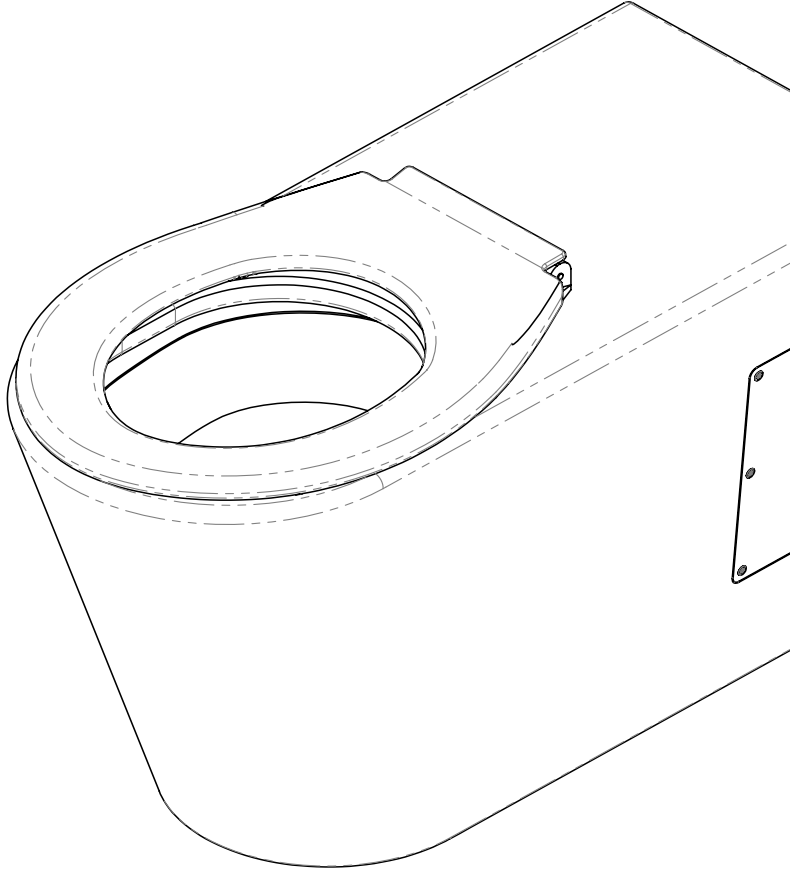


PCD

Centurion Accessible Pan

Installation Guide



MELBOURNE

Britex Place Mira Crt
Bundoora VIC 3083
t (03) 9466 9000
e vic@britex.com.au

SYDNEY

16 Northumberland Drv
Taren Point NSW 2229
t (02) 9531 2100
e nsw@britex.com.au

PERTH

Unit 1/8 Principal Link
Mallaga WA 6090
t (08) 9249 5464
e wa@britex.com.au

BRISBANE

19 Manilla St
East Brisbane QLD 4169
t (07) 3363 2400
e qld@britex.com.au

ADELAIDE

The Britex Group
SA State Office
t 1300 764 744
e sa@britex.com.au

IMPORTANT

ALL SERVICE TO BE PERFORMED BY AN AUTHORISED SERVICE PERSON

Installation of this unit must be in accordance with AS/NZS 3500.1, AS/NZS 3500.2, the PCA and the local regulatory requirements. Water and/or electrical supply conditions must comply to national or state requirements and standards. Failure to comply shall void the product warranty and may affect the performance of the product. For further support and after-sales care, please contact Britex.



WARNING

WHEN INSTALLATION IS COMPLETE, ENSURE THESE INSTRUCTIONS REMAIN INSIDE THE PLASTIC BAG PROVIDED WITH THE UNIT FOR FUTURE REFERENCE

About

The BRITEX Centurion Disabled Toilet Pan is fully shrouded and manufactured from heavy gauge grade 304 and 316 satin S.S. making it easy to clean and providing optimal strength. Designed to conform to Australian Standard for disability access - AS1428, the Centurion Disabled Toilet Pan is supplied with a Vandal Resistant Closed Front Toilet Seat (colour to be nominated). Incorporating radius edges for added safety, a pressed internal bowl and unique trap design, the Centurion Disabled pan is extremely water efficient (4.5/3) and much less susceptible to costly blockages in public amenities. Access panels come standard on both sides of the pan for easy installation and a toilet seat can be fitted if required. WaterMark and WELS certified as required by plumbing regulations and government legislation. A vandal resistant Stainless-Steel Backrest as required by AS1428:2021 is optional.

Preparation and Completion Notes

Contractors please note: Stainless steel WC Pans should be installed after all other building activities that could cause contamination to the surface of the stainless steel have been completed.

These activities include:

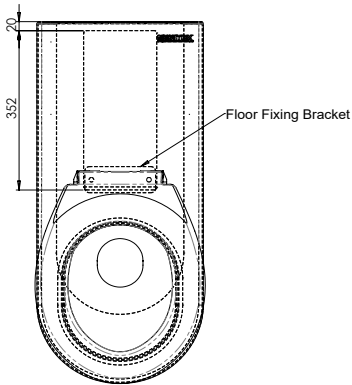
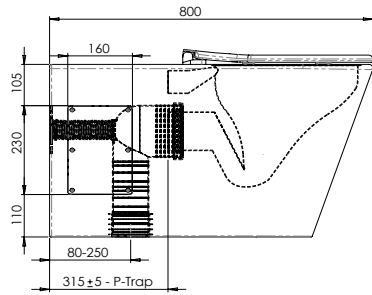
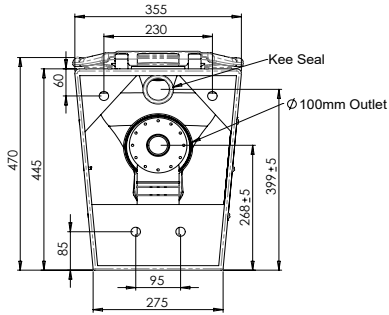
Using proprietary building mortar removers containing hydrochloric acid. Welding, cutting and grinding that may 'spray' carbon steel and iron particles onto the stainless-steel surface.

1. Remove the WC Pan from box packaging and inspect for any damage before beginning installation process.
2. Confirm all requested details are correct.
3. If the WC Pan is damaged in transit or if any details are not as requested, do not install it. Notify Britex immediately within 24 hours of receipting the product.

Note: No power tools are recommended for use with access panel screws. Britex advises use of supplied security torx allen key only.

When returning access panel to pan it is recommended to insert all screws and tighten all of them until 3/4 tight, then proceed to tighten all screws fully. This will ensure the best alignment of the access panel, be aware that over tightening can damage the female thread.

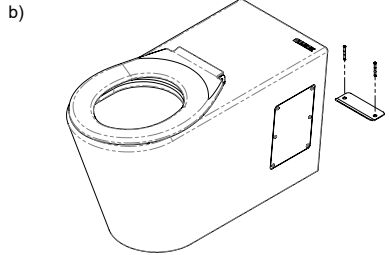
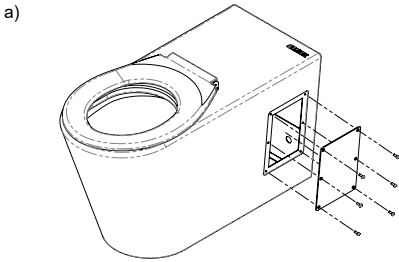
Drawings



Installation Instructions

1. The WC Pan is anchored to the floor with an offset bracket (supplied). Remove access panels, see figure (A). With pan in place, mark where offset floor fixing bracket is required.

Remove pan and fix bracket to floor, see figure (B).

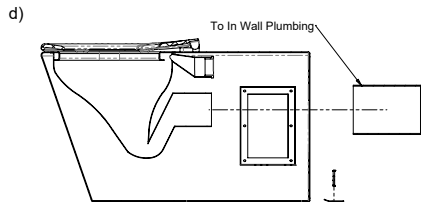
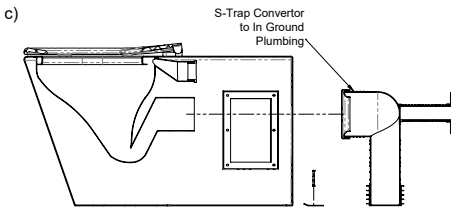


2. Pan is supplied standard with 60mm diameter concealed rear inlet to suit flushing mechanisms.

Britex recommends the Sigma 8 in-wall cistern as a flushing device. Flushing device needs to be installed as per the instructions that are provided.

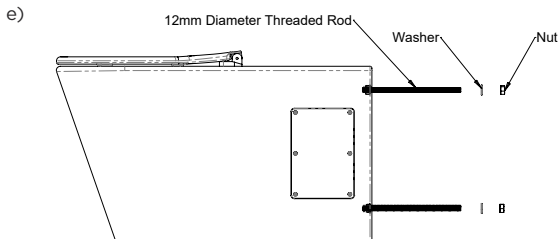
3. For S-trap configuration, install provided S trap to pan waste outlet then connect to in ground waste plumbing, see figure (C).

For P-trap configuration prepare necessary in wall waste pipe. Slide pan towards plumbing connections and install inlet and waste outlet, see figure (d).



4. Suggested fixings required for fixing to wall are 4pcs of 12mm dia. threaded rods with nuts and washers, see figure (E).

5. Pan should be sealed around perimeter with suitable sealant. Pan is now plumbed and ready for service.

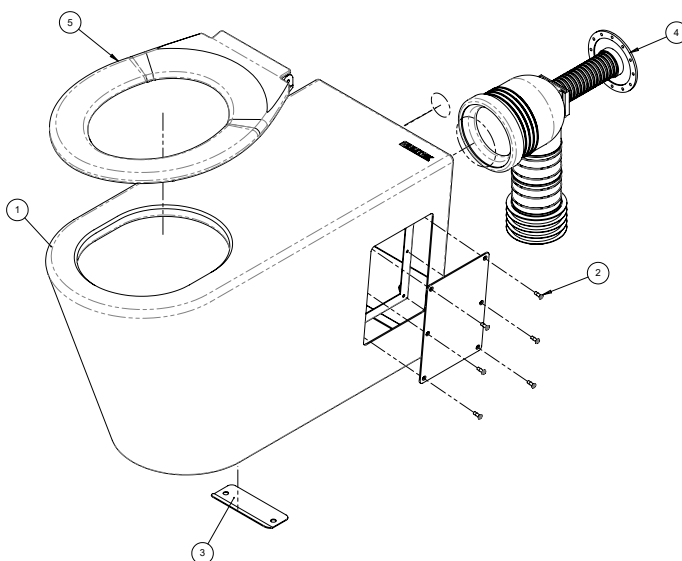


Installation Instructions

Note: No need for any special tooling to install this toilet pan.
For further support and after-sales care, please contact Britex.

Assembly Diagram

ITEM NO.	PART NUMBER	DESCRIPTION	QTY.
1	50-02-0023	Disabled Centurion Toilet Pan G304	1
2	Included with 50-02-0023	M5 countersunk screw	12
3	Included with 50-02-0023	Floor Fixing Bracket	1
4	74-00-0085	S Trap 100mm	1
5	SVRC-(B or N)	Toilet seat vandal resistant closed front	1



Technical Parameters

Inlet Connection	60mm Diameter Inlet
Outlet Connection	100mm Waste outlet

Troubleshooting

PROBLEM	CAUSES	ACTION
Cistern not filling up	No water	Check stop cock is turned on
Unexpected flush volumes	Inlet and outlet on flushing device not set correctly	Set inlet and outlet correctly
Waste outlet leaking	Poor seal from waste outlet to in wall/in ground plumbing	Remove access panel and refit waste plumbing
Cistern inlet leaking	Poor water connection	Ensure flexi hose has been tightened appropriately

See flushing device installation guide for specific troubleshooting and settings.

Spare Parts



74-00-0085
Pan Bend Adjustable Conversion Kit P Trap to S Trap 100mm DWV



SVRC-N
Toilet Seat Vandal Resistant Closed Front "NAVY"



SVRC-B
Toilet Seat Vandal Resistant Closed Front "BLACK"



50-12-0026
Sigma 8 Concealed Mechanical Cistern

Care and Maintenance

Stainless steel products should be kept clean at all times. The secret to stainless steel's ability to maintain a high-quality finish and promises of a long-life expectancy is the invisible chromium-oxide film that sits on the surface and protects the steel beneath. To maintain this film, it is essential that the surface remains clean and in constant contact with oxygen. If this film is penetrated (either by abrasion or chemically) and dirt, liquid, grime contaminants embed themselves in these micro chasms for an extended period, the chromium oxide film will not be able to regenerate and the steel below will eventually become damaged and discoloured.

What we recommend for general cleaning and maintenance:

Cleaning Materials:

- A soft cloth
- A soft-bristled brush
- A natural or artificial sponge

Cleaning Solutions:

- Hand washing soap / soft water solution
- Mild soap / soft water solution
- White vinegar / soft water solution

It is recommended that general cleaning of stainless-steel surfaces be carried out weekly, or as soon as a build-up of surface media has been observed. To clean, simply wash stainless steel surfaces with, warm, diluted, mild soapy water using a cloth or soft bristled brush. Once all dirt, oil and grime is removed, rinse thoroughly with clean water and wipe dry.

Warranty

The BRITEX product is backed by our manufacturer's warranty available for download from our website at www.britex.com.au. We expressly warrant that the product is free from operational defects in workmanship and materials for the warranty period indicated on the schedule in the manufacturer's warranty. During the warranty period, BRITEX will repair or replace any defective products manufactured by BRITEX at no charge, provided that the terms of the manufacturer's warranty are followed.

This warranty is the only warranty given by BRITEX, and we expressly disclaim all other warranties, including but not limited to implied warranties of merchantability and fitness for a particular purpose. This warranty represents the sole and exclusive remedy for breach of warranty, and BRITEX shall not be liable for any incidental, special, or consequential damages, including lost profits, labour charges, delays, vandalism, negligence, fouling caused by foreign material, damage from adverse water conditions, chemical, electrical or any other circumstances beyond BRITEX's control.

This warranty shall be void if the product is abused, misused, improperly installed, maintained, or altered. By purchasing our product, you agree to these terms and conditions. We appreciate your business and look forward to providing you with high-quality products and services.



MELBOURNE
Britex Place Mira Crt
Bundoora VIC 3083
t (03) 9466 9000
e vic@britex.com.au

SYDNEY
16 Northumberland Drv
Taren Point NSW 2229
t (02) 9531 2100
e nsw@britex.com.au

PERTH
Unit 1/8 Principal Link
Malaga WA 6090
t (08) 9249 5464
e wa@britex.com.au

BRISBANE
19 Manilla St
East Brisbane QLD 4169
t (07) 3363 2400
e qld@britex.com.au

ADELAIDE
The Britex Group
SA State Office
t 1300 764 744
e sa@britex.com.au