



WaterMark
AS1172 Lic. WM-022054
BRITEX P.C. Pty. Ltd. 19449
March F.O.I. (WaterMark) 8
4.5L



PCD

The BRITEX Centurion Accessible Toilet Pan is fully shrouded and manufactured from heavy gauge grade 304 satin stainless steel, making it easy to clean and providing optimal strength. The pan is designed to conform to the Australian Standard for Accessibility - AS1428. Incorporating radius edges for added safety, a pressed internal bowl and a unique trap design, the Centurion Accessible Pan is extremely water-efficient and much less susceptible to costly blockages in public amenities. Access panels come standard on both sides of the pan for easy installation paired with a toilet seat in compliance with accessible guidelines. WaterMark and WELS are certified as required by plumbing regulations and government legislation.

Features and Benefits

- WELS and WaterMark certified
- Accessible code AS1428 compliant
- Available with S or P trap
- Concealed fixings
- Unique blockage resistant trap
- Safety radius front edges
- Left and right access panels
- Free of ligature points
- Fitted anti-vandal Toilet Seat - as required by AS1428
- Optional Toilet Backrest - as required by AS1428
- Suits detention facilities and public amenities

Sample Spec

BRITEX S.S. Centurion Disabled Toilet Pan - 4* WELS rating and WaterMark certified. S- Trap, 14mm safety radius front edge, fully shrouded to rear wall and 2 x access panels. Supplied complete with **black** vandal resistant toilet seat. AS1428 compliant - Product Code PCDS-SVRC-B

*RED TEXT may denote a **variable** where one option only is to be selected, a **nominal dimension** that needs to be specified, or an **optional feature** that can be removed if not required. Please refer to the back of this page for additional specification details and options.

HOW TO SPECIFY: Centurion Accessible Pan

Sample Specification Code

A B C
PCD - S - SVRC-B

= Centurion Accessible Pan, S
 Trap with Black Vandal Resistant
 Closed Front Toilet Seat

Specification Key

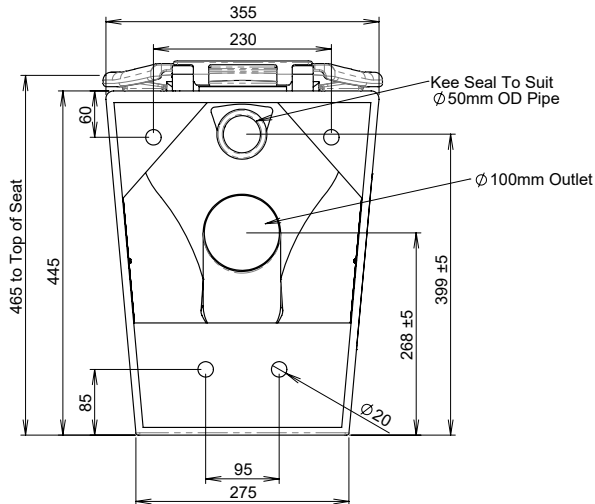
A = Product Code **C** = Toilet Seat
B = Trap Type **SVRC-B**: Black
P: P Trap **SVRC-N**: Navy
S: S Trap

Toilet Seats

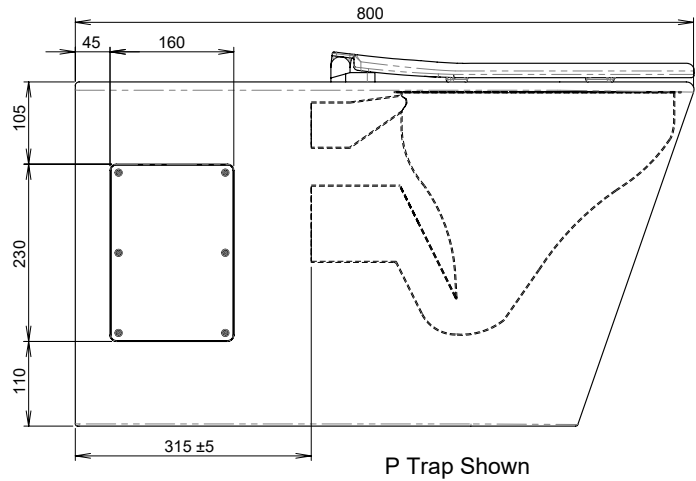


*Refer to Britex **Guide for Accessibility** Brochure for Grab Rails and Backrest guidance

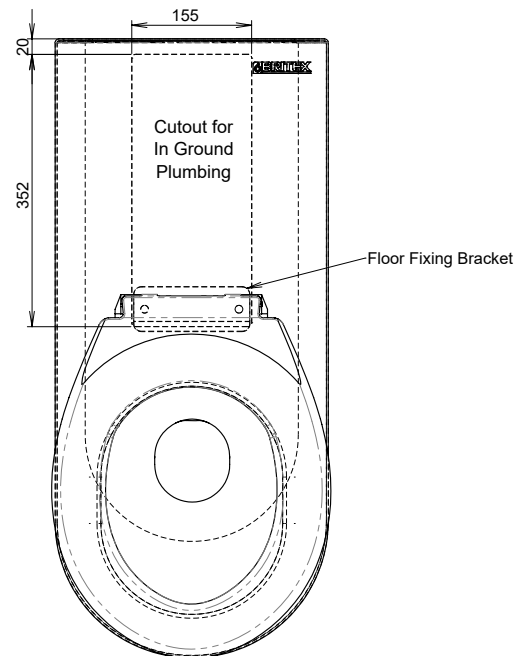
MODEL PCD Rear Elevation



MODEL PCD Side Elevation



MODEL PCD Plan



Add ons

- Britex Toilet Backrest - as required by AS1428
- Britex Cistern
- Permanently sealed access panels for maximum security projects - consult BRITEX
- Custom material thickness - consult BRITEX

VISIT BRITEX.COM.AU TO DOWNLOAD BIM FILES, CAD DRAWINGS AND THE MOST CURRENT PRODUCT LITERATURE.

Last Revised 5 Feb 2025 | D