

# ActiveCore 2 Series

## General Display



**ActiveCore™**  
Advanced Refrigeration System



**High Efficiency**  
Major Energy Savings



**Full Warranty**  
ActiveCore™ Series

## featuring



**SKOPE-connect™**  
puts you in control



**R290 Natural Refrigerant**  
a green choice



# ActiveCore 2

the next generation of cool



**Optimal** energy efficiency

## Low running costs

SKOPE ActiveCore 2 fridges are our most advanced series ever and continue to lead the market in energy efficiency, reliability and warranty.



**R290 Natural Refrigerant**  
a green choice

## Environmental sustainability

SKOPE uses R290 Natural Refrigerants in our latest product advancements because it is one of the most climate-friendly and cost effective refrigerants available.



**SKOPE-connect™**  
puts you in control

## Monitor and control fridges from your smartphone

SKOPE-connect is our app-based innovation that provides information and control so businesses can make better decisions. Door openings, energy use, temperature history, lighting, alarms and more can be reviewed on your smartphone or tablet.



**ActiveCore™**

## A revolution in refrigeration technology

Our interchangeable cartridge system ensures quick easy servicing resulting in minimal business disruption. It provides maximum performance with minimal energy.



## EZICLIP

### Easy to use shelf clip and strip

SKOPE EZICLIP is a patented design enabling fast, efficient and accurate shelf set up and adjustment.

# 5 Year Warranty

## ActiveCore™ Series



**Full Warranty**  
ActiveCore™ Series

Our most advanced fridge series ever!  
Now with a **5** year warranty on every model.

# SKOPE Funding

## Enjoy peace of mind with a tailored Ownership Plan



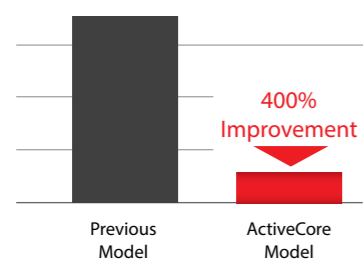
It's never been easier to stay ahead of the competition by using our latest SKOPE refrigeration and enjoy peace of mind with our ownership plan.

## Advantages to your Business

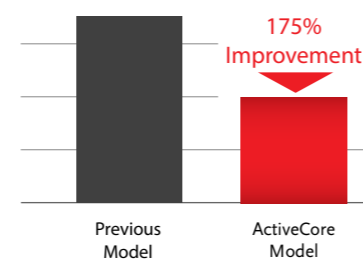
- 1 Interchangeable cartridge across 1, 2 & 3 door; top and bottom mount models
- 2 A more reliable system
- 3 Minimise your customer disruption
- 4 Exceptional whole of life value from your fridge
- 5 Peace of mind with a 5 year warranty protection

## ActiveCore™ warranty vs previous model

Warranty - % of sales



Warranty - Cost per call



## Own Me - Ownership Plan

- ✓ Free up cashflow
- ✓ Extend your warranty protection
- ✓ Annual planned maintenance included
- ✓ Flexible term, choice of 1, 2, 3, 4 or 5 years
- ✓ Affordable monthly payments
- ✓ No end of term balloon or residual payment
- ✓ Ownership at end of term
- ✓ Load your balance sheet and claim depreciation and GST

## Quick & Easy Application



Online - application form  
[www.skope.com/funding](http://www.skope.com/funding)

Email - [skopelifunding@skope.com](mailto:skopelifunding@skope.com)

Phone - speak to a SKOPE Funding team member  
NZ 0800 947 5673 (opt. 4)  
AUS 1800 121 535 (opt. 4)

A deposit is required which is equivalent to the GST of the equipment value (15% NZ, 10% AUS) along with the GST for the financial component of the plan. These GST payments are 100% claimable. One month's payment in advance is required to activate your plan. The Ownership plan is subject to terms and conditions contained in the SKOPE Funding Agreement.

# Multi-Purpose Refrigeration General Display & Storage

# Model Options

Fridges with ActiveCore technology reduce energy spend & widen the practical uses of the fridge – with an extensive range of options to choose from, a refrigeration solution can be created whatever the need.



ActiveCore 2 Series: 1, 2 & 3 door; top and bottom mount models

Features	TME-A	BME-A	SKT-A	SKB-A
	Top Mount	Bottom Mount	Top Mount	Bottom Mount
	TME650N-A 1 door	BME600N-A 1 door	SKT500X* 1 door	SKB600N-A 1 door
	TME1000N-A 2 door	BME1200N-A 2 door	SKT650N-A 1 door	SKB900N-A 2 door
	TME1500N-A 3 door	BME1500N-A 3 door	SKT1000N-A 2 door	SKB1200N-A 2 door
			SKT1500N-A 3 door	SKB1500N-A 3 door
<b>Colour</b>				
White / White - Exterior / Interior	●	●	●	●
Black / Black - Exterior / Interior		■	○	○
Black / White - Exterior / Interior		▲	○	○
Stainless steel			○	○
Selected Dulux Powdercoat colour			○	○
<b>Door</b>				
Glass (Double Low-E equivalent)	●	●	●	●
Solid			○	○
Tropical (heated glass)			○**	○**
Gen-3 Series look (Double Low-E)			○	
<b>Locks</b>				
Tab locks	●	●	●	●
Barrel key door locks			○	○
<b>Shelving</b>				
Additional shelves	○	○	○	○
Gravity feed matting	○	○	○	○
<b>Sign</b>				
No sign		●		●
Sign panel	●		●	
Lit sign (AC models)	○***	○***	○	○
<b>Internal lights</b>				
Side	●	●	●	●
Shelf			○	○
<b>Remote unit</b>				
Remote unit			○	○

● Standard ○ Option ■ BME1200N-A only ▲ BME600N-AC & BME1200N-AC only (lit sign models)

\* Note: this model does not include ActiveCore cartridge

\*\* Tropical doors not available on 3 door ActiveCore 2 models

\*\*\*Subject to availability, otherwise refer SKB, SKT series

# ActiveCore™ 2 Series TME

## General Display

Upright fridges  
Top mount design

Display and store food, drinks, and perishables, including flowers, chocolates, and wine.

Significantly reduce your refrigeration power bill and save money with ultra-energy efficient ActiveCore technology. These spacious fridges are cooler, quieter, and built to last for busy food service and commercial kitchens.



TME650N-A & TME650N-AC



TME1000N-A & TME1000N-AC



TME1500N-A & TME1500N-AC

Standard Finish: White only

Standard models: 1, 2 & 3 glass door (AC models subject to availability)



SKOPE-connect™



R290 natural refrigerant

Own Me - Use our SKOPE Funding online calculator by visiting [skope.com/funding](https://skope.com/funding)



Restaurants / Cafés



Quick Service  
Restaurants



Clubs / Pubs / Bars



Hospitality Venues



Accommodation



Medical / Aged Care



Schools



Convenience Stores

## Quick Guide

- Premium build quality
- Display & store - food, drinks & perishables
- ActiveCore™ technology
- Market leading energy efficiency
- SKOPE Connected controller
- R290 Natural Refrigerant with minimal environmental impact
- Monitor & control with the SKOPE-connect™ app
- Solid & tropical door options - see SKT series
- Full colour options - see SKT series
- Remote available - see SKT series
- Customisable - see SKT series

### Standard Features

### Benefits

ActiveCore™ cartridge system	Interchangeable & easy servicing - same cartridge used across all models
Premium energy efficient glass	Double Low-E equivalent
Frameless glass door design	Modern appealing look
SKOPE patented EZI-CLIP	Quick shelf set up & adjustment
Bright LED lighting	Showcasing products inside
Door lock tabs	Extra security
Sign panel	Branding opportunities
Slotted back panel	Chilled air directly onto products
Optimal airflow design	Minimal internal temperature variations
Low noise fan system	Quiet operation

### Options

- Lit sign (AC model) - subject to availability, otherwise see SKT series
- Extra shelf & slides/clips
- Gravity feed shelving
- Door hinge kit (1 door models only)



Full Warranty  
ActiveCore™ Series



High Efficiency  
Major Energy Savings



Compliance  
Independently Verified



Food Safe  
Keeps food below 5°C

# ActiveCore™ 2 Series

## TME - Top Mount

### Cabinet

Doors	Glass
Cabinet construction	Powdercoated steel
Shelves	Plastic coated wire
Breathes from/Expels to	Upper front/Upper rear
Sign	Sign panel - Lit Sign on AC models if available
Lighting	LED module - 1 per door
Controller	Electronic with SKOPE-connect™
Connectivity	Via Bluetooth
Removable ActiveCore cartridge	Yes

### Performance

Temperature Range	Food Safe: 1°C to 4°C (adjustable via SKOPE-connect 1°C to 15°C)
Maximum ambient temperature	43°C (40°C if fridge is built in)
MEPS Category	M1 Food & Drinks
High efficiency model	Yes

### Refrigeration

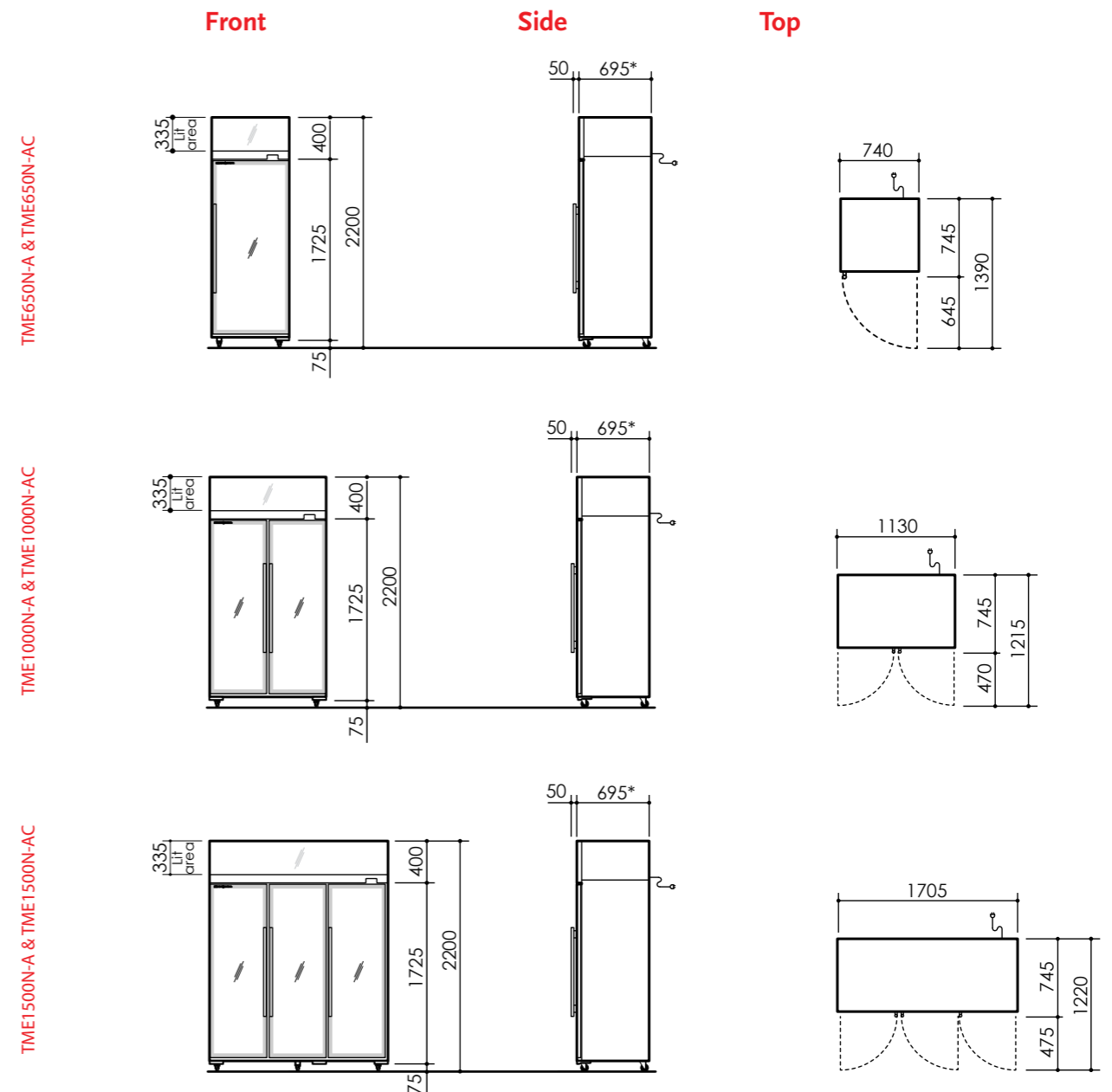
System	ActiveCore™ cartridge - removable unit, top mounted, self contained
Refrigerant	R290 Natural Refrigerant
Drainage	No plumbing required

### Electrical

Climate class	5 (40°C/40% RH)
Power Supply	220-240 Volts a.c. 50Hz, single phase supply
Plug	10 Amp 3 pin & 2.3m cable (where applicable cabinets are supplied with correct regional plug types)
Light switch on controller	Yes

### Specifications

Model ID	Doors	Sign Type	External Dimensions (W x D x H mm)	Total Floor Area (m²)	Weight (kg)	Gross Internal Volume (litres)	Total Display Area (m²)	Adjustable Shelves (No.)	Adjustable Shelves Size (wide x deep mm)	Total Shelf Area (m²)	Product Facings (600ml PET)	TEC kWh/24h @ Climate Class 3	Refrigerant / Charge	Current Draw (Amps)	Electrical Capacity (kW)
TME650N-A	1	Sign panel	740 x 745 x 2200	0.55	170	610	0.75	5	625 x 470	1.46	40	2.57	R290 / 99g	2.9	0.74
TME650N-AC	1	Lit sign	740 x 745 x 2200	0.55	170	610	0.75	5	625 x 470	1.46	40	2.67	R290 / 99g	2.9	0.74
TME1000N-A	2	Sign panel	1130 x 745 x 2200	0.84	225	980	1.08	5	1015 x 470	2.35	70	3.57	R290 / 99g	3.0	0.74
TME1000N-AC	2	Lit sign	1130 x 745 x 2200	0.84	225	980	1.08	10	500 x 470	2.35	70	3.72	R290 / 99g	3.0	0.74
TME-1500N-A	3	Sign panel	1705 x 745 x 2200	1.27	320	1497	1.67	15	500 x 470 (side), 570 x 470 (middle)	3.69	110	5.71	R290 / 99g	3.4	0.74
TME1500N-AC	3	Lit sign	1705 x 745 x 2200	1.27	320	1497	1.67	15	500 x 470 (side), 570 x 470 (middle)	3.69	110	5.98	R290 / 99g	3.4	0.74



# ActiveCore™ 2 Series BME

## General Display

Upright fridges

Bottom mount design

Display and store food, drinks, and perishables, including flowers, chocolates, and wine.

Significantly reduce your refrigeration power bills and save money with ultra-energy efficient ActiveCore technology. These spacious fridges are cooler, quieter, and built to last for busy food service and commercial kitchens.



BME600N-A & BME600N-AC



BME1200N-A & BME1200N-AC



BME1500N-A & BME1500N-AC

Standard Finish: White only

Standard models: 1, 2 & 3 glass door (AC models subject to availability)



R290 natural refrigerant

Own Me - Use our SKOPE Funding online calculator by visiting [skope.com/funding](https://skope.com/funding)



Restaurants / Cafés



Quick Service Restaurants



Clubs / Pubs / Bars



Hospitality Venues



Accommodation



Medical / Aged Care



Schools



Convenience Stores

## Quick Guide

- ✓ Premium build quality
- ✓ Display & store - food, drinks & perishables
- ✓ ActiveCore™ technology
- ✓ Market leading energy efficiency
- ✓ SKOPE Connected controller
- ✓ R290 Natural Refrigerant with minimal environmental impact
- ✓ Monitor & control with the SKOPE-connect™ app
- ⊖ Solid & tropical door options - see SKB series
- ⊖ Full colour options - see SKB series
- ⊖ Remote available - see SKB series
- ⊖ Customisable - see SKB series

### Standard Features

### Benefits

ActiveCore™ cartridge system	Interchangeable & easy servicing - same cartridge used across all models
Premium energy efficient glass	Double Low-E equivalent
Frameless glass door design	Modern appealing look
SKOPE patented EZI-CLIP	Quick shelf set up & adjustment
Bright LED lighting	Showcasing products inside
Door lock tabs	Extra security
Slotted back panel	Chilled air directly onto products
Optimal airflow design	Minimal internal temperature variations
Low noise fan system	Quiet operation

### Options

- Lit sign (AC model) - subject to availability, otherwise see SKB series
- Extra shelf & slides/clips
- Gravity feed shelving
- Door hinge kit (1 door models only)



Full Warranty  
ActiveCore™ Series



High Efficiency  
Major Energy Savings



Compliance  
Independently Verified



Food Safe  
Keeps food below 5°C

# ActiveCore™ 2 Series

## BME - Bottom Mount

### Cabinet

Doors	Glass
Cabinet construction	Powdercoated steel
Shelves	Plastic coated wire, bottom stainless steel fixed shelf
Breathes from/Expels to	Lower front/Lower rear
Sign	Sign panel - Lit Sign on AC models if available
Lighting	LED module - 1 per door
Controller	Electronic with SKOPE-connect™
Connectivity	Via Bluetooth
Removable ActiveCore cartridge	Yes

### Performance

Temperature Range	Food Safe: 1°C to 4°C (adjustable via SKOPE-connect 1°C to 15°C)
Maximum ambient temperature	43°C (40°C if fridge is built in)
MEPS Category	M1 Food & Drinks
High efficiency model	Yes

### Refrigeration

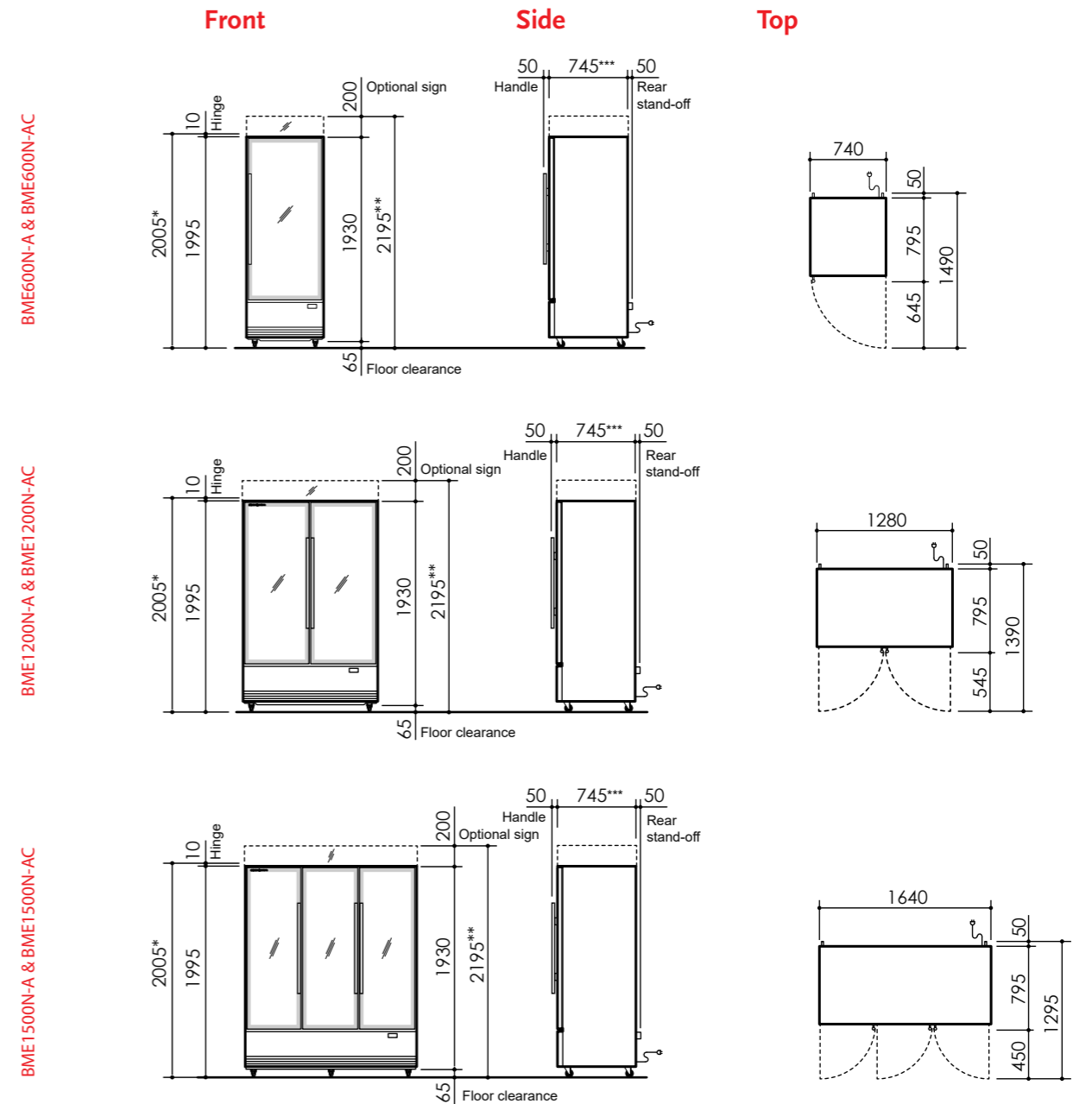
System	ActiveCore™ cartridge - removable unit, bottom mounted, self contained
Refrigerant	
Drainage	R290 Natural Refrigerant No plumbing required

### Electrical

Climate class	
Power Supply	5 (40°C/40% RH)
Plug	220-240 Volts a.c. 50Hz, single phase supply
Light switch on controller	10 Amp 3 pin & 2.3m cable (where applicable cabinets are supplied with correct regional plug types) Yes

### Specifications

Model ID	Doors	Door Type	Sign Type	External Dimensions (W x D x H mm)	Total Floor Area (m <sup>2</sup> )	Weight (kg)	Gross Internal Volume (litres)	Total Display Area (m <sup>2</sup> )	Adjustable Shelves (No.)	Adjustable Shelves Size (wide x deep mm)	Total Shelf Area (m <sup>2</sup> )	Product Facings (600ml PET)	TEC kWh/24h @ Climate Class 3	Refrigerant / Charge	Current Draw (Amps)	Electrical Capacity (kW)
BME600N-A	1	Glass	No sign	740 x 795 x 2005	0.63	185	584	0.7	5	625 x 520	1.46	45	2.17	R290 / 99g	2.9	0.74
BME600N-AC	1	Glass	Lit sign	740 x 795 x 2195	0.63	185	584	0.7	5	625 x 520	1.46	45	2.29	R290 / 99g	2.9	0.74
BME1200N-A	2	Glass	No sign	1280 x 795 x 2005	1.08	245	1079	1.19	10	577 x 520	2.35	80	3.36	R290 / 99g	3.0	0.74
BME1200N-AC	2	Glass	Lit sign	1280 x 795 x 2195	1.08	245	1079	1.19	10	577 x 520	2.35	80	3.57	R290 / 99g	3.0	0.74
BME1500N-A	3	Glass	No sign	1640 x 795 x 2005	1.34	330	1433	1.52	15	490 x 520 (side), 540 x 520 (outside)	3.69	95	5.08	R290 / 99g	3.4	0.74
BME1500N-AC	3	Glass	Lit sign	1640 x 795 x 2195	1.34	330	1433	1.52	15	490 x 520 (side), 540 x 520 (outside)	3.69	95	5.32	R290 / 99g	3.4	0.74





# ActiveCore™ 2 Series SKT

## General Display

Upright fridges  
Top mount design

Display and store food, drinks, and perishables, including flowers, chocolates, and wine.

All the great benefits of ultra-energy efficient ActiveCore technology, combined with lots of options not available in the standard TME and BME ranges. Customise your fridges perfectly to your space and enjoy quieter, cooler, cheaper refrigeration.



SKT500X\*

SKT650N-A & SKT650N-AC

SKT1000N-A & SKT1000N-AC

SKT1500N-A & SKT1500N-AC

Standard finishes: White, black, selected Dulux Powdercoat colour (exterior & interior colour combinations) & Stainless steel (exterior & interior)  
Standard models: 1, 2 & 3 glass door

\*Does not contain ActiveCore cartridge



SKOPE-connect™



R290 natural refrigerant

Own Me - Use our SKOPE Funding online calculator by visiting [skope.com/funding](https://skope.com/funding)



Restaurants / Cafés



Quick Service Restaurants



Clubs / Pubs / Bars



Hospitality Venues



Accommodation



Medical / Aged Care



Schools



Convenience Stores

## Quick Guide

- ✓ Premium build quality
- ✓ Display & store - food, drinks & perishables
- ✓ ActiveCore™ technology
- ✓ Market leading energy efficiency
- ✓ SKOPE Connected controller
- ✓ R290 Natural Refrigerant with minimal environmental impact
- ✓ Monitor & control with the SKOPE-connect™ app
- ✓ Solid & tropical door options\*
- ✓ Full colour options
- ✓ Remote available\*
- ✓ Customisable

### Standard Features

### Benefits

ActiveCore™ cartridge system	Interchangeable & easy servicing - same cartridge used across all models
Premium energy efficient glass	Double Low-E equivalent
Frameless glass door design	Modern appealing look
SKOPE patented EZI-CLIP	Quick shelf set up & adjustment
Bright LED lighting	Showcasing products inside
Door lock tabs	Extra security
Sign panel	Branding opportunities
Slotted back panel	Chilled air directly onto products
Optimal airflow design	Minimal internal temperature variations
Low noise fan system	Quiet operation

### Options

- Stainless steel finish
- Full powdercoat colour range
- Remote
- Tropical heated glass
- Solid door
- Gen-3 series look (double Low-E Argon)
- Barrel key locks
- Lit sign (AC models)
- Extra shelf & slides/clips
- Internal LED lighting (solid door)
- Gravity feed shelving
- Internal shelf lights
- Stainless steel punched shelves
- Door hinge kit (1 door models only)

\*ActiveCore 2 features not available for all models



Full Warranty  
ActiveCore™ Series



High Efficiency  
Major Energy Savings



Compliance  
Independently Verified



Food Safe  
Keeps food below 5°C

# ActiveCore™ 2 Series

## SKT - Top Mount

### Cabinet

Glass Doors (standard)	Self closing, double glazed, single Low-E, argon filled, toughened safety glass, lockable, swing
Tropical Doors (optional)	Heated, self closing, reversible, double glazed, single Low-E, argon filled, toughened safety glass, lockable, swing
Solid Doors (optional)	Stainless or Powdercoated Steel, foamed, self closing, lockable, swing
Cabinet construction	Powdercoated Steel
Shelves	Plastic coated wire
Breathes from/Expels to	Upper front/Upper rear
Lighting	LED Module - 1 per door
Controller	Electronic with SKOPE- connect™
Connectivity	Via Bluetooth
Removeable ActiveCore cartridge	Yes (excluding SKT500X)

### Performance

Temperature Range	Food Safe: 1°C to 4°C (adjustable via SKOPE-connect 1°C to 15°C)
Maximum ambient temperature	43°C (40°C if fridge is built in)
MEPS Category	M1 Food & Drinks
High efficiency model	Yes

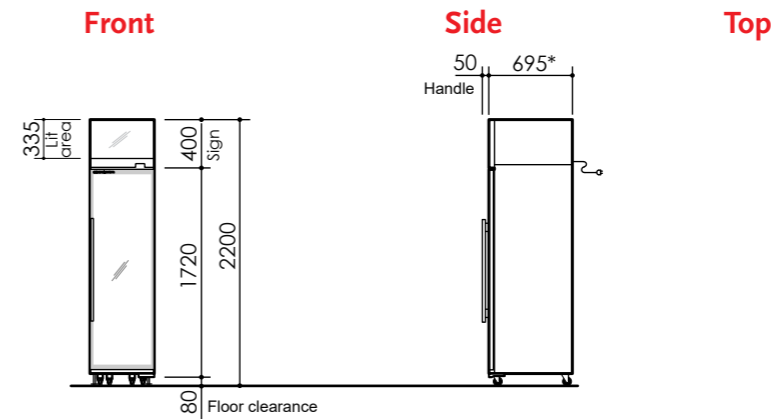
### Refrigeration

System	ActiveCore cartridge- removable unit, top mounted, self contained
Refrigerant	R290 Natural Refrigerant (exl. SKT500X, remote, 3 door tropical models)
Drainage	No plumbing required

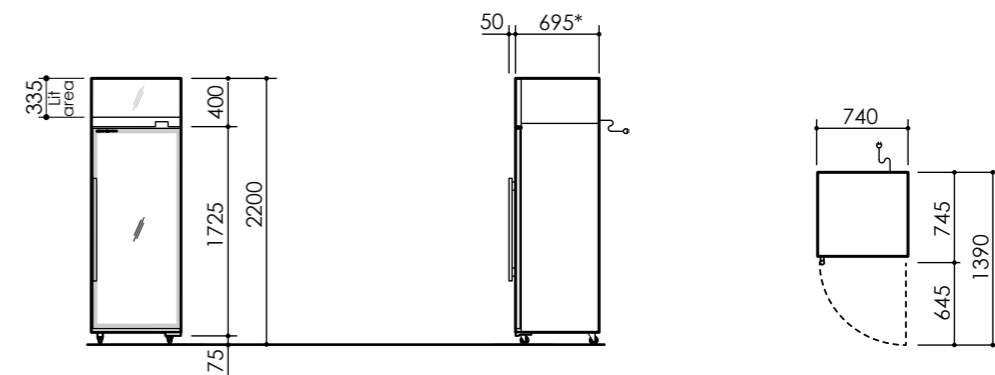
### Electrical

Climate Class rating	5 (40°C/40% RH)
Power Supply	220-240 Volts a.c 50 Hz single phase supply
Plug	10 Amp 3 pin & 2.3m cable (where applicable cabinets are supplied with correct regional plug types)
Light switch on controller	Yes

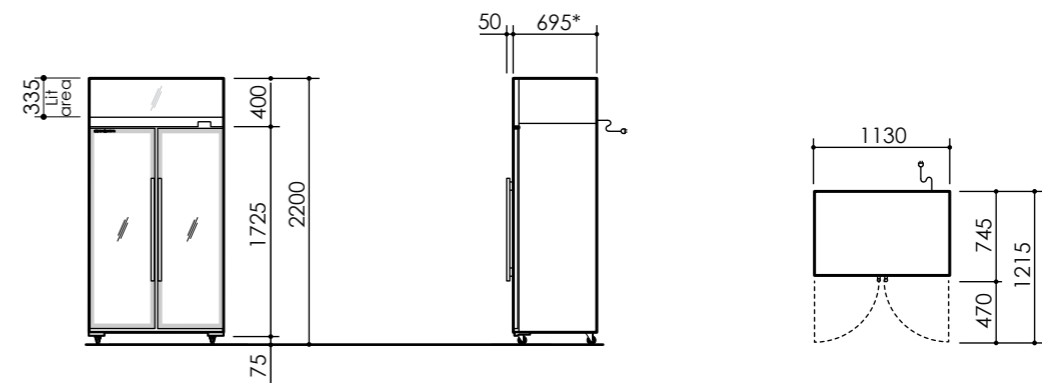
SKT500-X\*



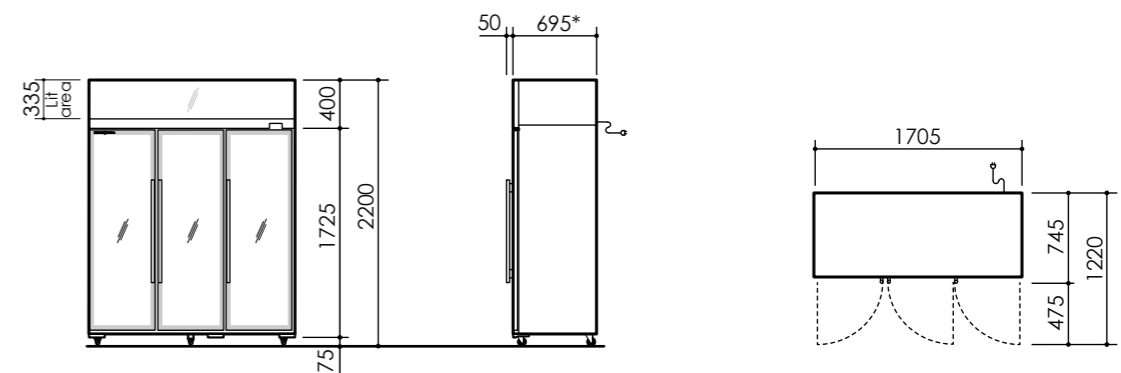
SKT650N-A & SKT650N-AC



SKT1000N-A & SKT1000N-AC



SKT1500N-A & SKT1500N-AC



# ActiveCore™ 2 Series

## SKT - Top Mount

### Specifications

Model ID	Doors	Door Type	Sign Type	External Dimensions (W x D x H mm)	Total Floor Area (m2)	Weight (kg)	Gross Internal Volume (litres)	Total Display Area (m²)	Adjustable Shelves (No.)	Adjustable Shelves Size (wide x deep mm)	Total Shelf Area (m2)	Product Facings (600ml PET)	TEC kWh/24h @ Climate Class 3	Refrigerant/ Charge	Current Draw (Amps)	Electrical Capacity (kW)
SKT500XW	1	Glass	Sign panel	570 x 745 x 2200	0.43	140	445	0.527	5	445 x 470	1.06	30	3.13	R134a / 370g	3.0	0.58
SKT500XW-AC	1	Glass	Lit sign	570 x 745 x 2200	0.43	140	445	0.527	5	445 x 470	1.06	30	-	R134a / 370g	3.0	0.58
SKT500XWT	1	Tropical	Sign panel	570 x 745 x 2200	0.43	140	445	0.527	5	445 x 470	1.06	30	-	R134a / 370g	3.5	0.58
SKT500XWT-AC	1	Tropical	Lit sign	570 x 745 x 2200	0.43	140	445	0.527	5	445 x 470	1.06	30	-	R134a / 370g	3.5	0.58
SKT500W-3	1	Gen-3	Lit sign	570 x 745 x 2205	0.41	140	445	0.527	5	445 x 470	1.06	30	-	R134a / 370g	3.0	0.58
SKT650N-A	1	Glass	Sign panel	740 x 745 x 2200	0.55	170	610	0.75	5	625 x 470	1.47	40	2.57	R290 / 99g	2.9	0.74
SKT650N-AC	1	Glass	Lit sign	740 x 745 x 2200	0.55	170	610	0.75	5	625 x 470	1.47	40	2.67	R290 / 99g	2.9	0.74
SKT650NT-A	1	Tropical	Sign panel	740 x 745 x 2200	0.55	170	610	0.75	5	625 x 470	1.47	40	-	R290 / 99g	4.5	0.74
SKT650NT-AC	1	Tropical	Lit sign	740 x 745 x 2200	0.55	170	610	0.75	5	625 x 470	1.47	40	-	R290 / 99g	4.5	0.74
SKT650NS-A	1	Solid	Sign panel	740 x 745 x 2200	0.55	170	610	0.75	5	625 x 470	1.47	40	-	R290 / 99g	2.9	0.74
SKT1000N-A	2	Glass	Sign panel	1130 x 745 x 2200	0.84	225	980	1.08	10	500 x 470	2.86	70	3.57	R290 / 99g	3.0	0.74
SKT1000N-AC	2	Glass	Lit sign	1130 x 745 x 2200	0.84	225	980	1.08	10	500 x 470	2.86	70	3.72	R290 / 99g	3.0	0.74
SKT1000NT-A	2	Tropical	Sign panel	1130 x 745 x 2200	0.84	225	980	1.08	10	500 x 470	2.86	70	-	R290 / 99g	6.0	0.74
SKT1000NT-AC	2	Tropical	Lit sign	1130 x 745 x 2200	0.84	225	980	1.08	10	500 x 470	2.86	70	-	R290 / 99g	6.0	0.74
SKT1000NS-A	2	Solid	Sign panel	1130 x 745 x 2200	0.84	225	980	1.08	10	500 x 470	2.86	70	-	R290 / 99g	3.0	0.74
SKT1500N-A	3	Glass	Sign panel	1705 x 745 x 2200	1.27	320	1497	1.67	15	500 x 470	4.38	110	5.71	R290 / 99g	3.4	0.74
SKT1500N-AC	3	Glass	Lit sign	1705 x 745 x 2200	1.27	320	1497	1.67	15	500 x 470	4.38	110	5.98	R290 / 99g	3.4	0.74
SKT1500NS-A	3	Solid	Sign panel	1705 x 745 x 2200	1.27	320	1497	1.67	15	500 x 470	4.38	110	-	R290 / 99g	3.4	0.74

# ActiveCore™ 2 Series SKB

## General Display

Upright fridges  
Bottom mount design

Display and store food, drinks, and perishables, including flowers, chocolates, and wine.

All the great benefits of ultra-energy efficient ActiveCore technology, combined with lots of options not available in the standard TME and BME ranges. Customise your fridges perfectly to your space and enjoy quieter, cooler, cheaper refrigeration.



SKB600N-A & SKB600N-AC

SKB900N-A & SKB900N-AC

SKB1200N-A & SKB1200N-AC

SKB1500N-A & SKB1500N-AC

Standard finishes: White, black, selected Dulux Powdercoat colour (exterior & interior colour combinations) & Stainless steel (exterior & interior)  
Standard models: 1, 2 & 3 glass door



Own Me - Use our SKOPE Funding online calculator by visiting [skope.com/funding](https://skope.com/funding)



Restaurants / Cafés



Quick Service Restaurants



Clubs / Pubs / Bars



Hospitality Venues



Accommodation



Medical / Aged Care



Schools



Convenience Stores

## Quick Guide

- ✓ Premium build quality
- ✓ Display & store - food, drinks & perishables
- ✓ ActiveCore™ technology
- ✓ Market leading energy efficiency
- ✓ SKOPE Connected controller
- ✓ R290 Natural Refrigerant with minimal environmental impact
- ✓ Monitor & control with the SKOPE-connect™ app
- ✓ Solid & tropical door options\*
- ✓ Full colour options
- ✓ Remote available\*
- ✓ Customisable

### Standard Features

### Benefits

ActiveCore™ cartridge system	Interchangeable & easy servicing - same cartridge used across all models
Premium energy efficient glass	Double Low-E equivalent
Frameless glass door design	Modern appealing look
SKOPE patented EZI-CLIP	Quick shelf set up & adjustment
Bright LED lighting	Showcasing products inside
Door lock tabs	Extra security
Slotted back panel	Chilled air directly onto products
Optimal airflow design	Minimal internal temperature variations
Low noise fan system	Quiet operation

### Options

- Stainless steel finish
- Full powdercoat colour range
- Remote
- Tropical heated glass
- Solid door
- Barrel key locks
- Lit sign (AC models)
- Extra shelf & slides/clips
- Internal LED lighting (solid door)
- Gravity feed shelving
- Internal shelf lights
- Stainless steel punched shelves
- Door hinge kit (1 door models only)

\*ActiveCore 2 features not available for all models



Full Warranty  
ActiveCore™ Series



High Efficiency  
Major Energy Savings



Compliance  
Independently Verified



Food Safe  
Keeps food below 5°C

# ActiveCore™ 2 Series

## SKB - Bottom Mount

### Cabinet

Glass Doors (standard)	Self closing, double glazed, single Low-E, argon filled, toughened safety glass, lockable, swing
Tropical Doors (optional)	Heated, self closing, double glazed, single Low-E, argon filled, toughened safety glass, lockable, swing
Solid Doors (optional)	Stainless or Powdercoated Steel, foamed, self closing, lockable, swing
Cabinet construction	Powdercoated Steel
Shelves	Plastic coated wire - adjustable height, 625mm wide X 470mm deep
Breathes from/Expels to	Lower front/ Lower rear
Lighting	LED Module - 1 per door
Controller	Electronic with SKOPE- connect™
Connectivity	Via Bluetooth
Removeable ActiveCore cartridge	Yes

### Performance

Temperature Range	Food Safe: 1°C to 4°C (adjustable via SKOPE-connect 1°C to 15°C)
Maximum ambient temperature	43°C (40°C if fridge is built in)
MEPS Category	M1 Food & Drinks
High efficiency model	Yes

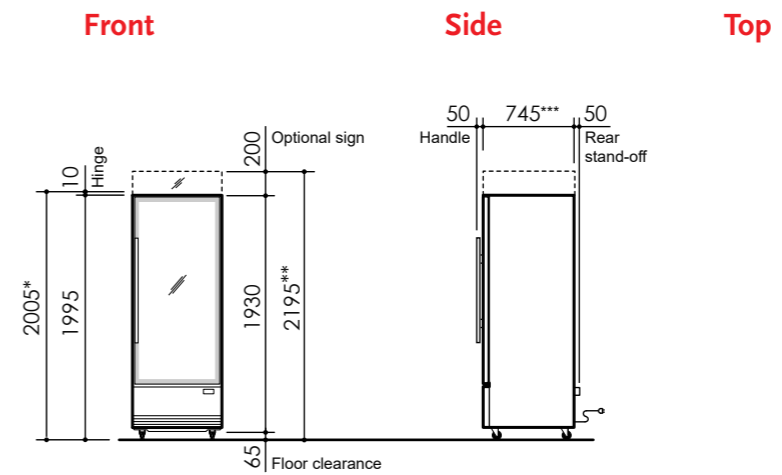
### Refrigeration

System	ActiveCore cartridge- removable unit, bottom mounted, self contained
Refrigerant	R290 Natural Refrigerant
Drainage	No plumbing required

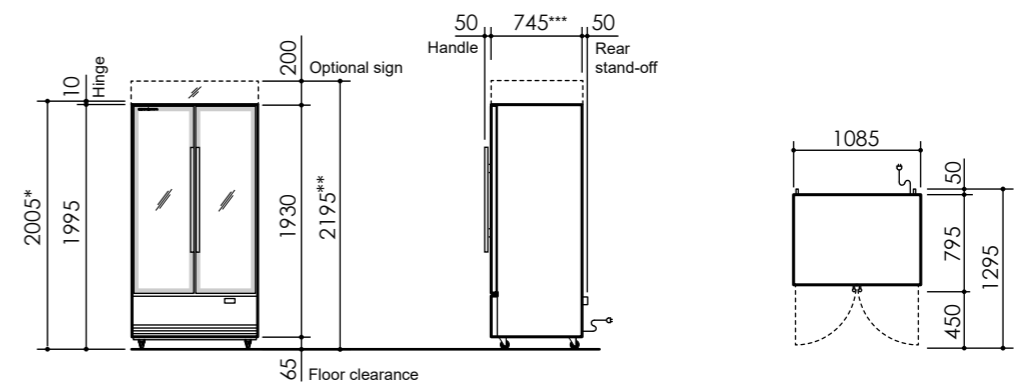
### Electrical

Climate Class rating	5 (40°C/40% RH)
Power Supply	220-240 Volts a.c 50 Hz single phase supply
Plug	10 Amp 3 pin & 2.3m cable (where applicable cabinets are supplied with correct regional plug types)
Light switch on controller	Yes

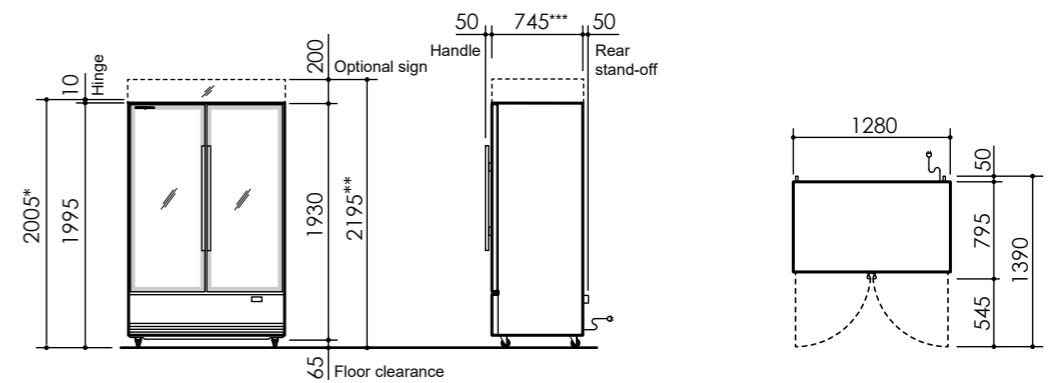
SKB600N-A & SKB600N-AC



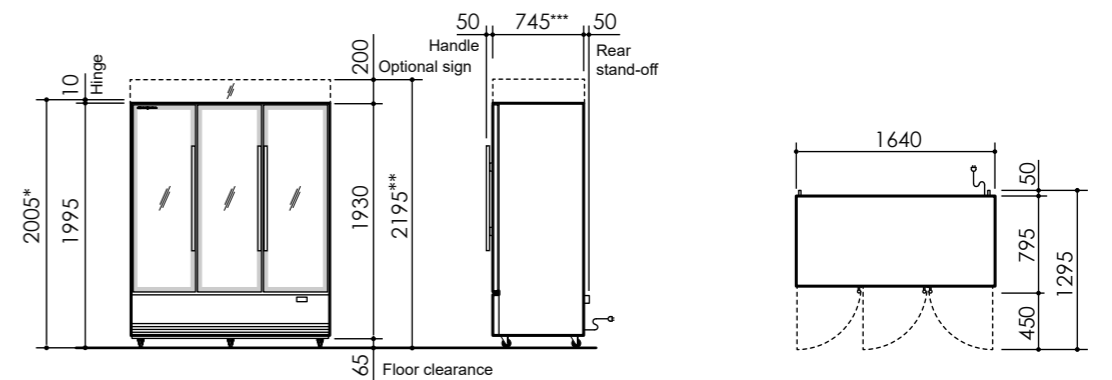
SKB900N-A & SKB900N-AC



SKB1200N-A & SKB1200N-AC



SKB1500N-A & SKB1500N-AC



# ActiveCore™ 2 Series

## SKB - Bottom Mount

### Specifications

Model ID	Doors	Door Type	Sign Type	External Dimensions (W x D x H mm)	Total Floor Area (m2)	Weight (kg)	Gross Internal Volume (litres)	Total Display Area (m²)	Adjustable Shelves (No.)	Adjustable Shelves Size (wide x deep mm)	Total Shelf Area (m2)	Product Facings (600ml PET)	TEC kWh/24h @ Climate Class 3	Refrigerant/ Charge	Current Draw (Amps)	Electrical Capacity (kW)
SKB600N-A	1	Glass	No sign	740 x 795 x 2005	0.63	185	584	0.527	5	625 x 520	1.06	30	2.17	R290 / 99g	2.9	0.74
SKB600N-AC	1	Glass	Lit sign	740 x 795 x 2005	0.63	185	584	0.527	5	625 x 520	1.06	30	2.29	R290 / 99g	2.9	0.74
SKB600NT-A	1	Tropical	No sign	740 x 795 x 2005	0.63	185	584	0.527	5	625 x 520	1.06	30	-	R290 / 99g	4.5	0.74
SKB600NT-AC	1	Tropical	Lit sign	740 x 795 x 2005	0.63	185	584	0.527	5	625 x 520	1.06	30	-	R290 / 99g	4.5	0.74
SKB600NS-A	1	Solid	No sign	740 x 795 x 2005	0.63	185	584	0.527	5	625 x 520	1.06	30	-	R290 / 99g	2.9	0.74
SKB900N-A	2	Glass	No sign	1085 x 795 x 2005	0.86	220	880	0.75	10	480 x 520	1.47	40	3.42	R290 / 99g	3.0	0.74
SKB900N-AC	2	Glass	Lit sign	1085 x 795 x 2005	0.86	220	880	0.75	10	480 x 520	1.47	40	3.6	R290 / 99g	3.0	0.74
SKB900NT-A	2	Tropical	No sign	1085 x 795 x 2005	0.86	220	880	0.75	10	480 x 520	1.47	40	-	R290 / 99g	4.5	0.74
SKB900NT-AC	2	Tropical	Lit sign	1085 x 795 x 2005	0.86	220	880	0.75	10	480 x 520	1.47	40	-	R290 / 99g	4.5	0.74
SKB900NS-A	2	Solid	No sign	1085 x 795 x 2005	0.86	220	880	0.75	10	480 x 520	1.47	40	-	R290 / 99g	3.0	0.74
SKB1200N-A	2	Glass	No sign	1280 x 795 x 2005	1.08	245	1079	1.08	10	577 x 520	2.86	70	3.36	R290 / 99g	3.0	0.74
SKB1200N-AC	2	Glass	Lit sign	1280 x 795 x 2005	1.08	245	1079	1.08	10	577 x 520	2.86	70	3.57	R290 / 99g	3.0	0.74
SKB1200NT-A	2	Tropical	No sign	1280 x 795 x 2005	1.08	245	1079	1.08	10	577 x 520	2.86	70	-	R290 / 99g	6.0	0.74
SKB1200NT-AC	2	Tropical	Lit sign	1280 x 795 x 2005	1.08	245	1079	1.08	10	577 x 520	2.86	70	-	R290 / 99g	6.0	0.74
SKB1200NS-A	2	Solid	No sign	1280 x 795 x 2005	1.08	245	1079	1.08	10	577 x 520	2.86	70	-	R290 / 99g	3.0	0.74
SKB1500N-A	3	Glass	No sign	1640 x 795 x 2005	1.34	330	1433	1.67	15	490 x 520 (side) / 540 x 520 (middle)	4.38	110	5.08	R290 / 99g	3.4	0.74
SKB1500N-AC	3	Glass	Lit sign	1640 x 795 x 2005	1.34	330	1433	1.67	15	490 x 520 (side) / 540 x 520 (middle)	4.38	110	5.32	R290 / 99g	3.4	0.74
SKB1500NS-A	3	Solid	No sign	1640 x 795 x 2005	1.34	330	1433	1.67	15	490 x 520 (side) / 540 x 520 (middle)	4.38	110	-	R290 / 99g	3.4	0.74

# ActiveCore 2

the next generation of cool



**Optimal** power savings



**SKOPE-connect**<sup>™</sup>  
puts you in control



**R290 Natural Refrigerant**  
a green choice



**Full Warranty**  
ActiveCore<sup>™</sup> Series

## Head Office

**New Zealand**  
SKOPE Industries Limited  
57 Princess Street  
PO Box 1091  
Christchurch 8140  
New Zealand  
International Tel: +64 (3) 983 3800

## Customer Services

**Australia**  
Freephone: 1800 121 535  
Email: [skope@skope.com](mailto:skope@skope.com)

**New Zealand**  
Freephone: 0800 947 5673  
Email: [skope@skope.com](mailto:skope@skope.com)

## SKOPE Funding

**Australia**  
Freephone: 1800 121 535 (opt 4)  
Email: [skopelifunding@skope.com](mailto:skopelifunding@skope.com)

**New Zealand**  
Freephone: 0800 947 5673 (opt 4)  
Email: [skopelifunding@skope.com](mailto:skopelifunding@skope.com)