

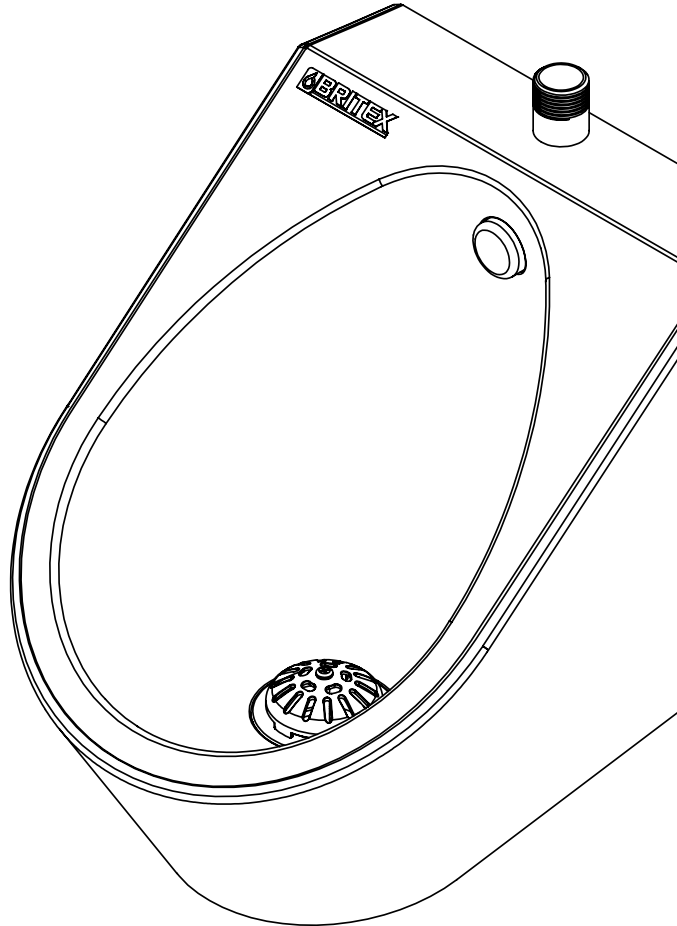
# UWHU

---

## Wall Hung Urinal Stall

---

### Installation Guide



**MELBOURNE**  
Britex Place Mira Crt  
Bundoora VIC 3083  
t (03) 9466 9000  
e vic@britex.com.au

**SYDNEY**  
16 Northumberland Drv  
Taren Point NSW 2229  
t (02) 9531 2100  
e nsw@britex.com.au

**PERTH**  
Unit 1/8 Principal Link  
Malaga WA 6090  
t (08) 9249 5464  
e wa@britex.com.au

**BRISBANE**  
19 Hanilla St  
East Brisbane QLD 4169  
t (07) 3363 2400  
e qld@britex.com.au

**ADELAIDE**  
The Britex Group  
SA State Office  
t 1300 764 744  
e sa@britex.com.au

## IMPORTANT

ALL SERVICE TO BE PERFORMED BY AN AUTHORISED SERVICE PERSON

*Installation of this unit must be in accordance with AS/NZS 3500.2, the PCA and the local regulatory requirements. Water and/or electrical supply conditions must comply to national or state requirements and standards. Failure to comply shall void the product warranty and may affect the performance of the product. For further support and after-sales care, please contact Britex.*

## WARNING

WHEN INSTALLATION IS COMPLETE, ENSURE THESE INSTRUCTIONS REMAIN INSIDE THE PLASTIC BAG PROVIDED WITH THE UNIT FOR FUTURE REFERENCE

## About

The BRITEX Wall Hung Urinal Stall is designed for commercial or industrial applications that may be prone to vandalism. The one-piece design makes this urinal suitable for areas where minimal maintenance is required. WaterMark and WELS certified as required by plumbing regulations and government legislation.

## Preparation and Completion Notes

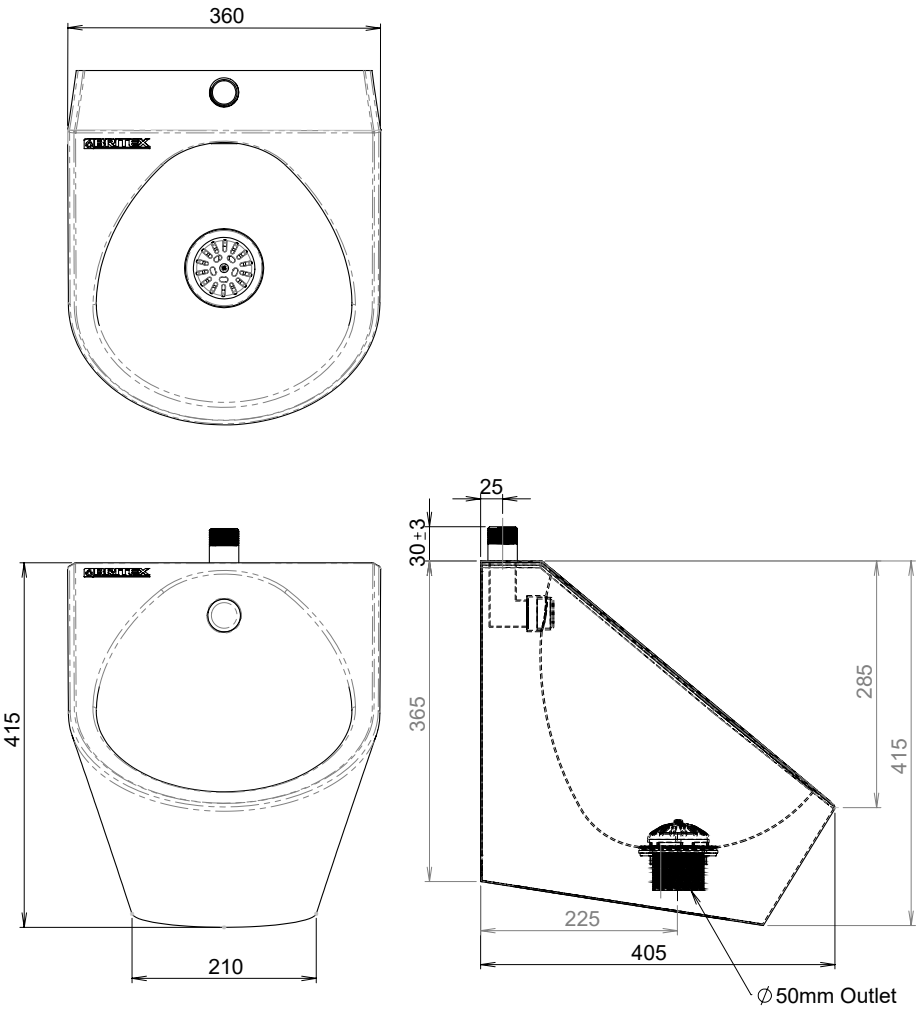
Britex urinals are approved for use as per the accompanying certifications and can be coupled with cisterns, flush valves & sensor flushing systems according to specific model requirements. It is the installer's responsibility to ensure that the urinal is installed in accordance and to the regulations of the residing governing authority and all applicable plumbing code regulations. Britex wall hung urinal stalls are fitted with a top entry 25mm (1") inlet and 50mm waste outlet.

1. 25mm (1") Inlets are typically supplied to small urinal pods that are to be flushed with cisterns or flush valves. The urinals inlet supply fitting consists of a stainless-steel male thread to suit 1" flush pipe tube, (copper, stainless steel etc).

2. Recommended flush pipe - Britex Stainless Steel Flush Pipe Kit. Supplied complete with Chrome Plated brass 50mm to 25mm cistern adaptor, 25mm diameter grade 304 stainless steel flush pipe to suit FCS-LF (Low Flush) Cistern & UWHU Urinals with Top Inlet 25mm. Item code - FPK9

As the urinal is to be fixed to the rear wall, ensure that the substructure will provide sufficient support for the urinal. Complete any reinforcement works as necessary and provide noggins where required. Use appropriate anchors suitable for use with the substructure to fix the urinal to the wall surface. Protect the surface of the product during the installation process. Do not remove any PVC coatings that may have been applied to the surface until the product has been commissioned and ready to be used.

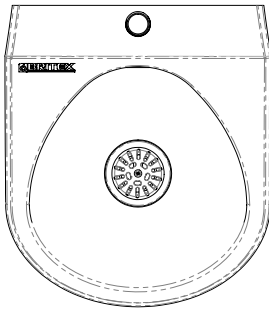
# UWHU Drawings



# Installation Instructions

1. Urinal fixed to rear wall across top axis with an offset bracket (supplied) and with two fixing holes in lower section of urinal body. (A)
2. Britex recommended that these are fixed to wall noggins for mounting.
3. Recommended water connection to 25mm (1") male socket is a 25mm flush pipe from wall mounted cistern, or a 25F-20M adaptor for flexible connector if using a solenoid flushing unit.
4. Once the unit is on the joggle that has been fixed to the wall, at the desired height. Then the unit can be fixed on the bottom of the unit with appropriate fixings. These are not supplied. (B)
5. Once the unit is secured to the wall. The plumbing for the waste and the inlet can be fitted off to comply with AS/NZS 3500.1, AS/NZS 3500.2 or the PCA.
6. Britex suggest use of our FCS-LF Single Flush Cistern - low flush as the desired flushing device.
7. Test the unit is working to the desired degree.

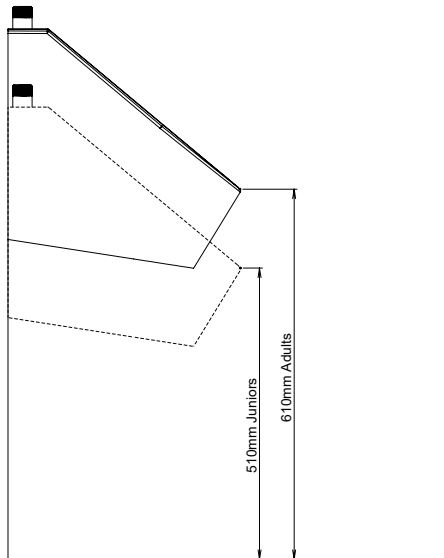
# Installation Drawings



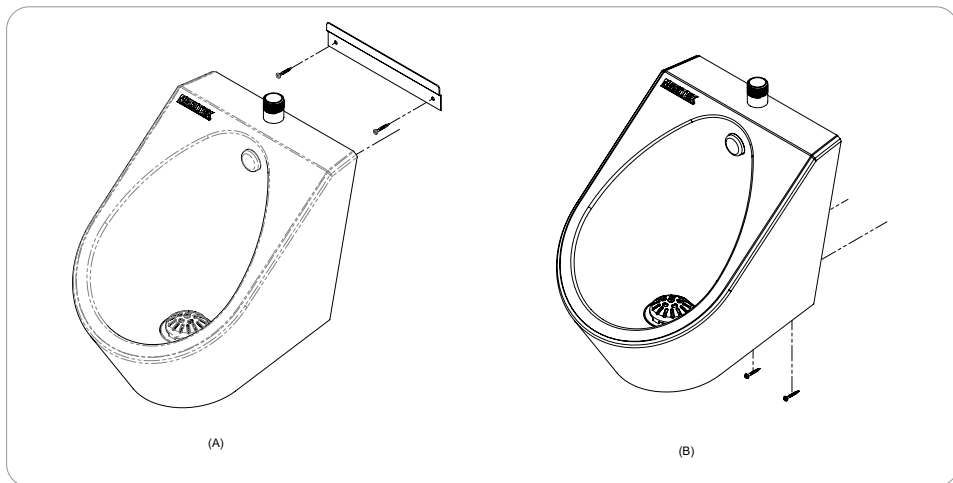
Suggested Mounting Heights:

**Adults - 610 mm**  
**Juniors - 510 mm**

NB: Heights are suggestions only, subject to suitability of users for each individual project



## Installation Drawings



## Spare Parts



**74-11-0028**

Urinal Waste Outlet with Dome Cover 50 x 45mm G304

## Care and Maintenance

**Cleaning:** The coil at the front of the unit and the vents on the side must be kept clean from dust and lint. Regular checks of the unit should be conducted on a weekly basis and cleaning carried out as necessary by dusting with a soft brush and/or vacuuming. A damp cloth can be used to wipe the exterior cover down. Excessive build up of foreign material will result in poor ventilation, causing the compressor to overheat and drinking water to increase in temperature. High pressure hoses and water jets should never be used to clean chiller units.

Stainless steel products should be kept clean at all times. The secret to stainless steel's ability to maintain a high quality finish and promises of a long life expectancy is the invisible chromium-oxide film that sits on the surface and protects the steel beneath. To maintain this film it is essential that the surface remains clean and in constant contact with oxygen. If this film is penetrated (either by abrasion or chemically) and dirt, liquid, grime contaminants embed themselves in these micro chasms for an extended period of time, the chromiumoxide film will not be able to regenerate and the steel below will eventually become damaged and discoloured.

### ***What we recommend for general cleaning and maintenance:***

#### **Cleaning Materials:**

- A soft cloth
- A soft-bristled brush
- A natural or artificial sponge

#### **Cleaning Solutions:**

- Hand washing soap / soft water solution
- Mild soap / soft water solution
- White vinegar / soft water solution

It is recommended that general cleaning of stainless steel surfaces be carried out weekly, or as soon as a build up of surface media has been observed. To clean, simply wash stainless steel surfaces with, warm, diluted, mild soapy water using a cloth or soft bristled brush. Once all dirt, oil and grime is removed, rinse thoroughly with

clean water and wipe dry.

**Do NOT** – use a metal brush or steel wool to clean stainless steel. Ever. These tools will scratch the surface as well as potentially leave behind steel fragments that can go rusty and cause the stainless to discolour. Using these materials will void the warranty.

**Do NOT** – use scourers of any kind that have previously been used on ordinary steel. Microscopic steel fibers transferred onto stainless steel can cause considerable damage to the surface and will void the warranty.

**Do NOT** – use abrasive cleaning brushes, pads or agents on highly polished finishes

**Do NOT** use harsh cleaners that contain powerful acidic or alkaline chemicals such as hydrochloric acid and sodium hydroxide that will damage the surface. Any water coming into contact with stainless steel, particularly cleaning solutions, should have zero chloride content as even minute amounts can cause damage. Using these cleaners will void any product warranty.

**Do NOT** – use chlorinated sanitizers, cleansers or bleach of any kind. Using these substances will void the warranty. Despite some cleaners displaying the text, 'Suitable for Toilets and Urinals' this is more likely in reference to ceramic/vitreous China products and use of these cleaners can damage stainless steel and will void the warranty.

**Do NOT** – use brick cleaning liquids that contain hydrochloric acid anywhere near stainless. If cement needs to be removed from stainless (before it sets), a mixture of hot water and 25% vinegar or 10% phosphoric acid can be effective. Once cleaned, the surface should then be neutralised with dilute ammonia or sodium bicarbonate then rinsed and dried

## Warranty

The BRITEX product is backed by our manufacturer's warranty available for download from our website at [www.britex.com.au](http://www.britex.com.au). We expressly warrant that the product is free from operational defects in workmanship and materials for the warranty period indicated on the schedule in the manufacturer's warranty. During the warranty period, BRITEX will repair or replace any defective products manufactured by BRITEX at no charge, provided that the terms of the manufacturer's warranty are followed.

This warranty is the only warranty given by BRITEX, and we expressly disclaim all other warranties, including but not limited to implied warranties of merchantability and fitness for a particular purpose. This warranty represents the sole and exclusive remedy for breach of warranty, and BRITEX shall not be liable for any incidental, special, or consequential damages, including lost profits, labor charges, delays, vandalism, negligence, fouling caused by foreign material, damage from adverse water conditions, chemical, electrical or any other circumstances beyond BRITEX's control.

This warranty shall be void if the product is abused, misused, improperly installed, maintained, or altered. By purchasing our product, you agree to these terms and conditions. We appreciate your business and look forward to providing you with high-quality products and services.



**MELBOURNE**  
Britex Place Mira Crt  
Bundoora VIC 3083  
t (03) 9466 9000  
e vic@britex.com.au

**SYDNEY**  
16 Northumberland Drv  
Taren Point NSW 2229  
t (02) 9531 2100  
e nsw@britex.com.au

**PERTH**  
Unit 1/8 Principal Link  
Malaga WA 6090  
t (08) 9249 5464  
e wa@britex.com.au

**BRISBANE**  
19 Manilla St  
East Brisbane QLD 4169  
t (07) 3363 2400  
e qld@britex.com.au

**ADELAIDE**  
The Britex Group  
SA State Office  
t 1300 764 744  
e sa@britex.com.au