



UWHU

Most common configuration illustrated

The BRITEX Wall Hung Urinal Stall is designed for commercial or industrial applications that may be prone to vandalism. The one piece design makes this urinal suitable for areas where minimal maintenance is required. WaterMark and WELS certified as required by plumbing regulations and government legislation.

Features and Benefits

- WaterMark certified
- Made from satin stainless steel
- Top water entry
- 1" BSP inlet
- Robust construction
- Cost effective
- Quick and easy to install
- Compatible with wall mounted cisterns
- Suited to pubs, clubs and public amenities

Sample Spec

BRITEX S.S. Wall Hung Urinal Stall - WELS rating and WaterMark certified. Supplied with a *FCS-LF and FPK9 Push Button Cistern with Flush Pipe Kit* - Product Code UWHU-FCS-LF-FPK9

*RED TEXT may denote a **variable** where one option only is to be selected, a **nominal dimension** that needs to be specified, or an **optional feature** that can be removed if not required. Please refer to the back of this page for additional specification details and options.

HOW TO SPECIFY: Wall Hung Urinal Stall

Sample Specification Code

A
B
UWHU - FCS-LF-FPK9

= Wall Hung Urinal Stall with Push Button Cistern with Flush Pipe Kit

Specification Key

A = Product Code
B = Flushing (optional)
FCS-LF and **FPK9**

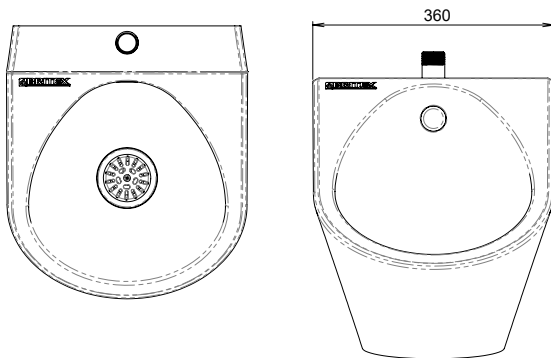
Suggested Mounting Heights

Dimension from finished floor to front edge/rim of urinal

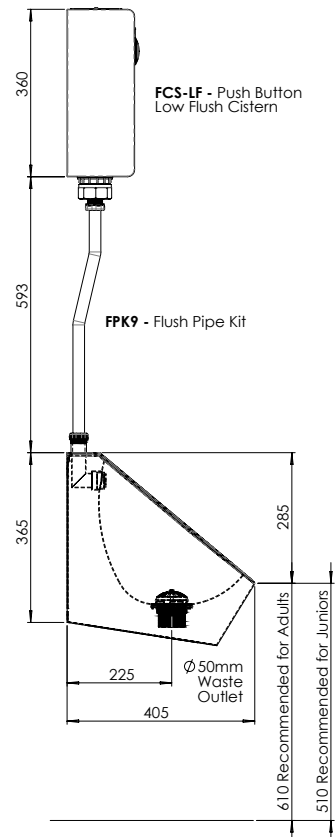
Adults: 610mm **Juniors:** 510mm

NB: Heights are suggestions only, subject to suitability of users for each individual project.

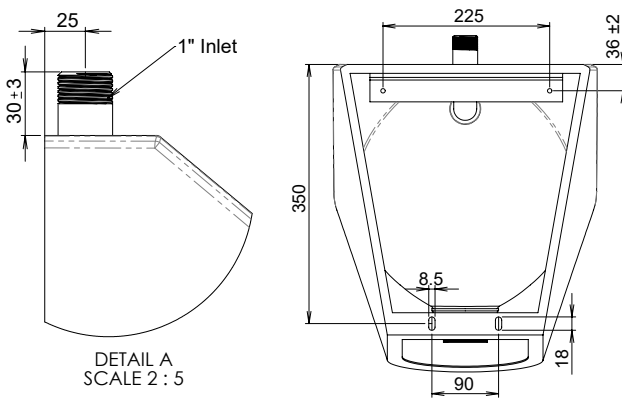
MODEL UWHU Plan



MODEL UWHU Side Elevation



MODEL UWHU Section and Back Elevation



1.2 Grade 304 #4 Finish Stainless Steel

Add ons

- Britex Urinal Privacy Panels (supplied separate)

VISIT BRITEX.COM.AU TO DOWNLOAD BIM FILES, CAD DRAWINGS AND THE MOST CURRENT PRODUCT LITERATURE.

Last Revised 12 Nov 2024 | E