



WaterMark
AS1172 LIC-WM-022054
BRITEX, PC, PG, PIS, PB&R
WaterMark Certified Approval
4.5L



PWM

The BRITEX Wall Mounted Pan is seamless, fully shrouded, and manufactured from heavy gauge grade 304 satin finish stainless steel, making it easy to clean and providing optimal strength. Incorporating radius edges for added safety, a pressed internal bowl and a unique trap design, the Wall Mounted Toilet pan is extremely water efficient and much less susceptible to costly blockages in public amenities. A heavy-duty wall mounting bracket is supplied for easy installation with a countersunk, unobtrusive pan fixings and an optional toilet seat. WaterMark and WELS are certified as required by plumbing regulations and government legislation.

Features and Benefits

- WELS and Watermark-certified
- Mounted off the floor
- Safety radius front edges
- Ultra vandal resistant
- Unique blockage-resistant trap
- Free of ligature points
- Contraband-proof flushing rim
- Option for Fitted Toilet Seat
- 4.5/3 litre flushing compatible
- Satin stainless finish
- Ideal for clubs, bars and public amenities

Sample Spec

BRITEX S.S. Wall Mounted Toilet Pan - 4* WELS rating and WaterMark certified. 14mm safety radius front edge. Complete with fitted **black** toilet seat. - Product Code PWM-SVRC-B

*RED TEXT may denote a **variable** where one option only is to be selected, a **nominal dimension** that needs to be specified, or an **optional feature** that can be removed if not required. Please refer to the back of this page for additional specification details and options.

HOW TO SPECIFY: Wall Mounted Pan

Sample Specification Code

A **B**
PWM - SVRC-B

= Wall Mounted Pan with Black Vandal Resistant Closed Front Toilet Seat

Specification Key

A = Product Code

B = Toilet Seat (optional)

SVRC-B: Black

SVRC-N: Navy

SVRC-W: White

Toilet Seats



SVRC-B

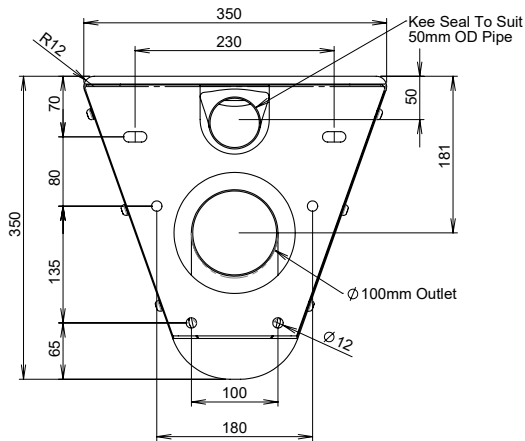


SVRC-N

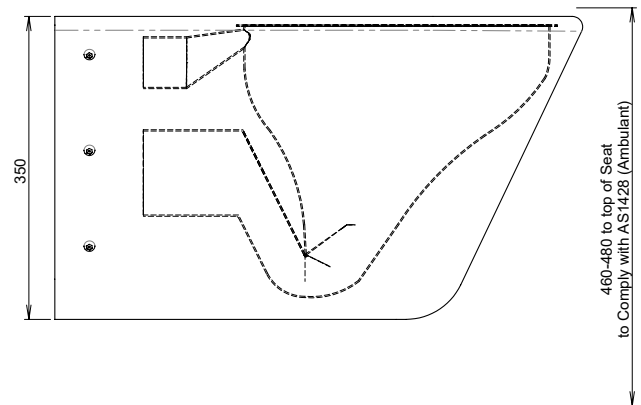


SVRC-W

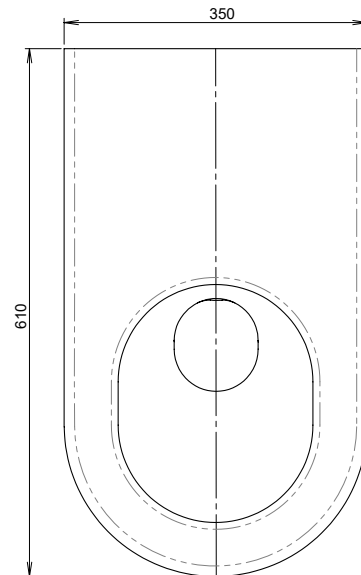
MODEL PWM Rear Elevation



MODEL PWM Side Elevation



MODEL PWM Plan



Add ons

- Britex Cistern (see Flushing section)
- Custom material thickness - consult BRITEX

VISIT BRITEX.COM.AU TO DOWNLOAD BIM FILES, CAD DRAWINGS AND THE MOST CURRENT PRODUCT LITERATURE.

Last Revised 23 Jan 2025 | C