

## DELUXE STAINLESS STEEL HOT WATER URNS / BOILERS



# USER MANUAL

## DELUXE STAINLESS STEEL HOT WATER URNS / BOILERS

ED134 / ED135 / ED137

V4 01/25

DISTRIBUTED BY:

[www.southernhospitality.co.nz](http://www.southernhospitality.co.nz)[www.rewardhospitality.com.au](http://www.rewardhospitality.com.au)

## TABLE OF CONTENTS

Important safeguards.....	3
Installation.....	3
Warnings.....	3
Using the urn.....	4
Reset thermal cut-out.....	4
Cleaning the appliance.....	4
Cleaning after use.....	4
The electric circuit diagram.....	5
Usage parameters.....	5

### **Important Safeguards**

When using electrical appliances, basic safety precautions should always be followed, including the following:

- Read all instructions.
- To protect against fire, electric shock and injury to people, do not immerse the cord, plugs or the appliance in water or other liquids.
- Unplug from outlet when not in use and before cleaning. Ensure it's cool before putting on or taking off parts and before cleaning the appliance.
- To avoid scalding do not touch the hot surface. Use handles or knobs.
- Never switch on the appliance if the tank is empty.
- Always use the appliance on a dry, level and heat resistant surface away from any edges.
- Only use indoors.
- Ensure hands are dry before using the appliance.
- When this appliance is boiling, ensure the unit is out of reach for children. Children should be supervised to ensure that they do not play with the appliance.
- This appliance is not intended for use by persons (including children) with reduced physical, sensory or mental capabilities or lack of experience and knowledge, unless they have been given supervision or instruction concerning the use of the appliance by a person responsible for their safety.
- If the supply cord is damaged, it must be replaced by the manufacturer, its service agent or similarly qualified persons in order to avoid a hazard.
- Do not operate any appliance with a damaged cord or plug or after the appliance malfunctions or has been damaged in any manner. Return appliance to the nearest authorised service facility for examination, repair or adjustment.
- Scalding may occur if the lid is removed during the brewing cycles
- This appliance is intended to be used in household and similar applications such as:
  - staff kitchen areas in shops, offices and other working environments
  - farm houses
  - by clients in hotels, motels and other residential type environments
  - bed and breakfast type environments
- Save these instructions

### **Installation**

1. Before using the appliance, first clean the tank, top cover and body etc.
  2. Place the unit upright on a firm and flat surface.
  3. Plug the appliance into an earthed socket while the unit is switched off.
- The unit is now ready to use.

### **Warnings**

- The outside of the appliance gets very hot during boiling, do not touch the surface body.
- Do not remove the top cover while boiling.
- If the appliance is overfilled, boiling water may spill out of the unit.

### Using the urn

1. Fill the tank with cold water. There is a MAX line marked on the inside of the tank. Do not fill water over this mark.
2. Replace the cover and switch the unit on. The heating lamp indicator should now light up and the unit will begin to heat the water.
3. After about 35 minutes the water temperature will have reached 97 degrees and the auto-thermostat will take over, automatically keeping the water at the correct temperature selected.

### Reset thermal cut-out

This unit is fitted with a dry-protect thermal cut-out. If this is activated, the unit will turn itself off. This protects the heating elements and inner facility. The unit must be unplugged before it can be reset. To reset the appliance, wait until the unit has been cooled down. Then press the reset button at the bottom of the appliance. The appliance can then work normally.

This safety device may have been triggered during transport; if so, reset the thermal cut-off following the above instructions.

If resetting this thermal cut-out does not switch the unit back on, please contact your nearest branch or call our customer service team on 0800 504 504.

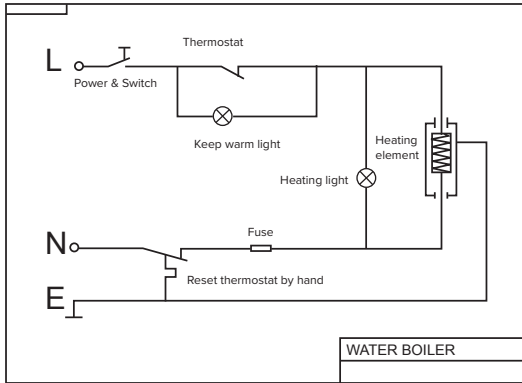
### Cleaning the appliance

This unit must be cleaned thoroughly after each use. This is in addition to a weekly clean using vinegar to remove mineral deposits. If these deposits are not removed, pitting of the metal can occur and may result in damage to the appliance. Do not hose down.

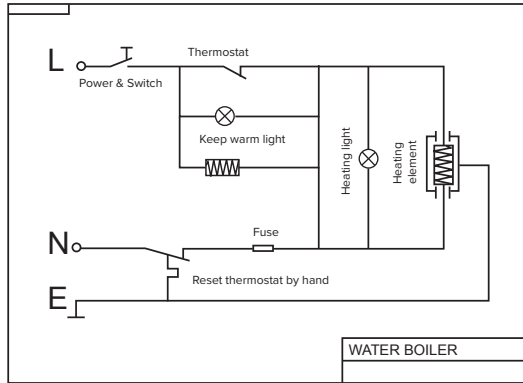
### Cleaning after use

1. Be sure to unplug the unit, discard any remaining water and allow to cool down before cleaning.
2. DISCOLOURING OF THE WATER TANK. This is caused by the oxidising of iron content in tap water. It can be removed by using a nylon brush and following these simple steps:
  - Cut a lemon into four, wrap the lemon in cloth and place inside the unit.
  - Pour water up to the full water level indicator.
  - Boil the water and let the mixture remain inside the unit for about 1 hour.
  - Pour the water out and use a nylon brush to clean the inner part.
  - To remove the smell of lemon, boil water again and dispose of the water.
3. Lid and tank are washable with soap and water.
4. Use a damp cloth to clean the body. Wipe it dry. Do not use abrasive materials to avoid scratches.
5. Wash the tap handle in hot soapy water and rinse. Replace the tap.

## The electric circuit diagram



WITHOUT KEEP-WARM ELEMENT



WITH KEEP-WARM ELEMENT

## Usage parameters

Model No.	Power	Volume	Voltage	Environmental temperature in use	Environmental humidity in use
				10–38 degrees	Less than 90%