

Starline M2C

OPERATOR USE

START

- Turn on at wall.
- Ensure the Scrap Tray (1) and Wash (2) and Drain (3) Filters are in place and the door is shut.
- Press STANDBY to start the machine, it will begin to fill and heat automatically.
- Screen will advise progress and change to blue when wash and rinse up to temp.

OPERATION

- Load rack into the machine and shut door.
- Select Light, Medium, or Heavy cycle option and press start button.
- Machine will advise operation and progress while cycle is running.
- Screen will revert back to home screen once cycle has been completed.



NOTE: Your dishwasher includes a number of advanced functions to provide ease of use:

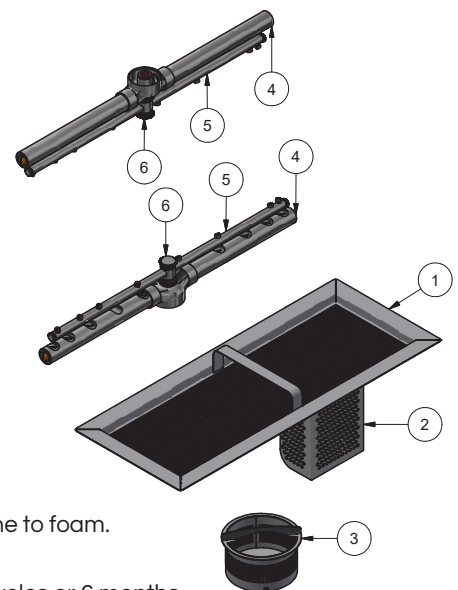
- Wash Interlock: When active, this delays the start of a cycle until the wash temperature has been heated to a suitable level to ensure cleanliness and avoid foaming in the wash tank. The cycle screen will display Heating and auto-start the wash cycle once ready.
- Thermostop: When active, thermostop allows the machine may be started while the rinse water is being heated – the machine will continue to run the wash cycle until the rinse water is up to temperature.

SHUT DOWN - EVERY NIGHT

- Open the door, press the Drain/Standby and then close the door .
- Your dishwasher will run a self-cleaning cycle, completely drain and then turn itself off.
- Once the machine is in Standby and has cooled down remove and rinse Scrap Tray (1), Wash (2) and Drain (3) Filters
- Check and clear any waste from inside the drain sump and there is no other residue or build-up elsewhere in the machine.
- Replace Wash / Drain Filter back into machine.

CLEANING – AT LEAST ONCE A WEEK

- Remove, rinse and replace when machine has cooled down:
 - Scrap Tray (1)
 - Wash Filter (3)
 - Rinse Arms (4)
- Unscrew thumbscrew (6) to remove Wash Arms (4) and Rinse (5) Arms.
- Inspect Arm and ensure that all jets are clear.
- Use a small object (e.g. toothpick) where necessary to remove any blockages.
- Check wash element once cool and clean if necessary.



SUGGESTED BEST PRACTICE

- | | |
|-----------|---|
| Pre-rinse | Scrape and/or rinse glasses in cool water. |
| Chemical | Use a good quality non foaming commercial detergent and drying agent – do not use domestic detergents which will cause the machine to foam. Do not use domestic tablets or excessively chlorinated chemicals. |
| Servicing | Commercial dishwashers should be serviced at least every 15,000 cycles or 6 months. |

Starline M2

TROUBLESHOOTING

ISSUE	CAUSE										
	POOR PRE-SCRAPING	CARRY OVER OF SOAP FROM SINK	OVERLOADING RACKS	INADEQUATE MACHINE CLEANING	INSUFFICIENT WATER PRESSURE/FLOW	INSUFFICIENT WASH TEMPERATURE	WASH/RINSE JETS BLOCKED	WASH/RINSE ARMS NOT ROTATING	DETERGENT DOSAGE LOW/HIGH*	RINSE FLUID DOSAGE LOW/HIGH*	POOR WATER QUALITY**
DISHES NOT CLEAN	●		●	●			●	●	●		■
STAINING	●						●	■	●		■
FOAMING		●		■	●	●			■	■	
PROTEIN BLOOM	■		■	●			■	■	■		
DIRTY MACHINE	●			●			■	■	■		■
FOOD RESIDUE ON WASHWARE	■		●	■			■	■	●		
FILM / SPOTS ON WASHWARE			■	■	●		■	●	●		■
DETERGENT RESIDUE					●		■	●	●		
GREASY FILM / NO FIZZ IN DRINKS			■							●	■
HIGH DETERGENT USAGE				■					●		
HIGH RINSE FLUID USAGE				■						●	
WET WASHWARE			●	■		●				●	
SCALE BUILD UP IN MACHINE				■					■		●
FILTERS NEEDED ON OTHER EQUIPMENT											●

● Likely Cause of Issue ■ Possible Cause of Issue

* For issues most likely due to incorrect chemical dosages or other chemical issues, we recommend you consult your chemical supplier and/or a local chemical expert prior to calling in a dishwasher technician.

** For issues that are likely due to poor water quality (scale building up, filters being required on other kitchen equipment etc.), we recommend you consult a local water specialist prior to calling in a dishwasher technician.

IF PROBLEMS PERSIST CONTACT STARLINE SERVICE ON 0800 STARLINE

Service 0800 STARLINE
 Parts 09 829 0930
 Starline M2C Series-5 Oct-24

WASHTECH®