



**T&S BRASS AND BRONZE WORKS, INC.**  
 2 Saddleback Cove / P.O. Box 1088  
 Travelers Rest, SC 29690

Model No.  
**AS-0331-V20-G**

Item No.

Travelers Rest, SC: 800-476-4103 • Simi Valley, CA: 800-423-0150 • Fax: 864-834-3518 • www.tsbrass.com



**ADA Compliant**

**EVERSTEEL™**



This Space for Architect/Engineer Approval

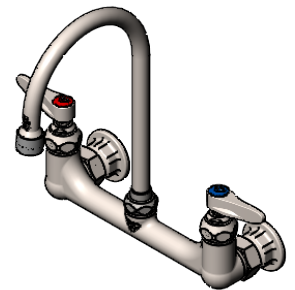
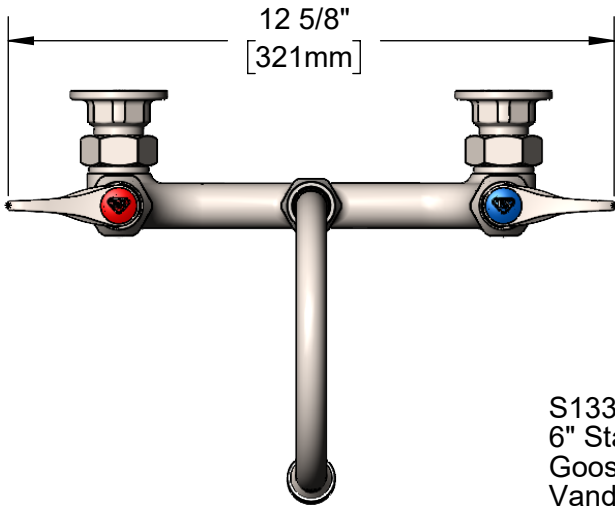
Job Name \_\_\_\_\_ Date \_\_\_\_\_

Model Specified \_\_\_\_\_ Quantity \_\_\_\_\_

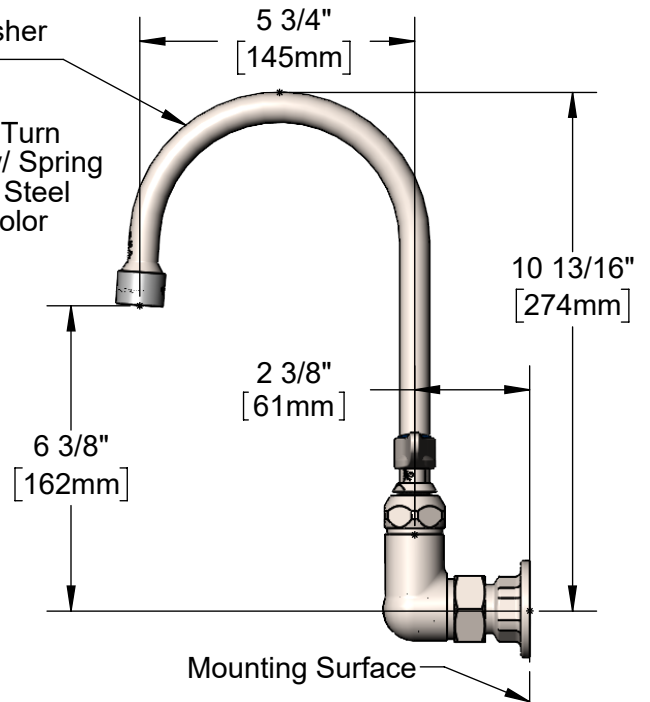
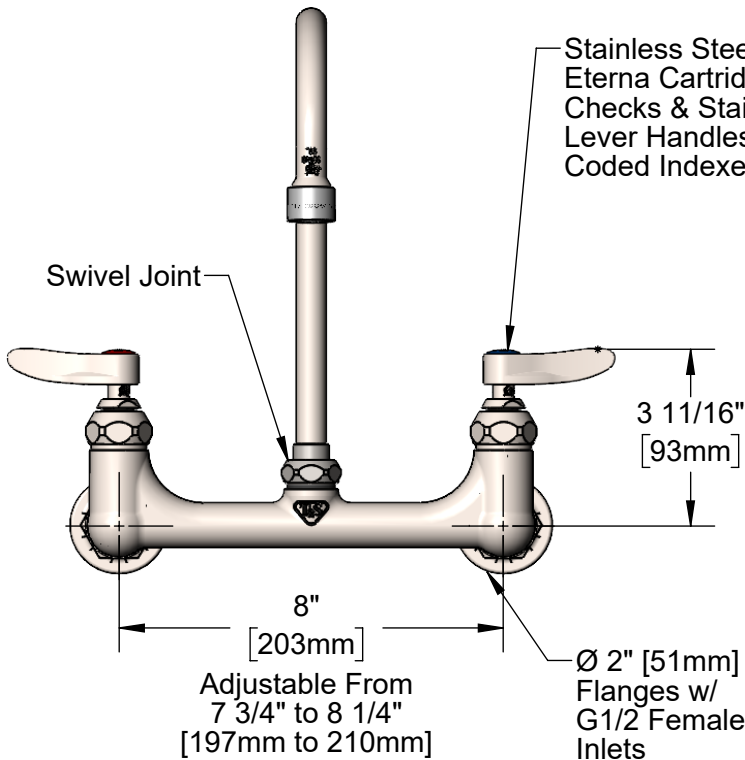
Customer/Wholesaler \_\_\_\_\_

Contractor \_\_\_\_\_

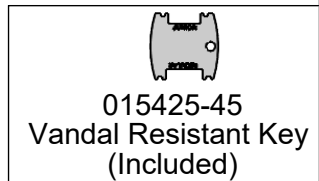
Architect/Engineer \_\_\_\_\_



**S133X-V20**  
 6" Stainless Steel Swivel  
 Gooseneck w/ 2.0 GPM  
 Vandal Resistant Aerator.  
 Converts to Rigid w/  
 014200-45 Lock Washer  
 (Included)



Stainless Steel Full Turn  
 Eterna Cartridges w/ Spring  
 Checks & Stainless Steel  
 Lever Handles w/ Color  
 Coded Indexes



**Product Specifications:**

8" Stainless Steel Wall Mount Mixing Faucet, Stainless Steel Full Turn Eterna Cartridges w/ Spring Checks, Stainless Steel Lever Handles, 6" Stainless Steel Swivel/Rigid Gooseneck w/ 2.0 GPM VR Aerator & G1/2 Female Inlets

**Product Compliance:**

ASME A112.18.1 / CSA B125.1  
 NSF 61 - Section 9  
 NSF 372 (Low Lead Content)  
 ANSI A117.1 (ADA)  
 AS/NZ WaterMark / WELS



# T&S BRASS AND BRONZE WORKS, INC.

2 Saddleback Cove / P.O. Box 1088  
Travelers Rest, SC 29690

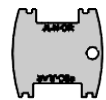
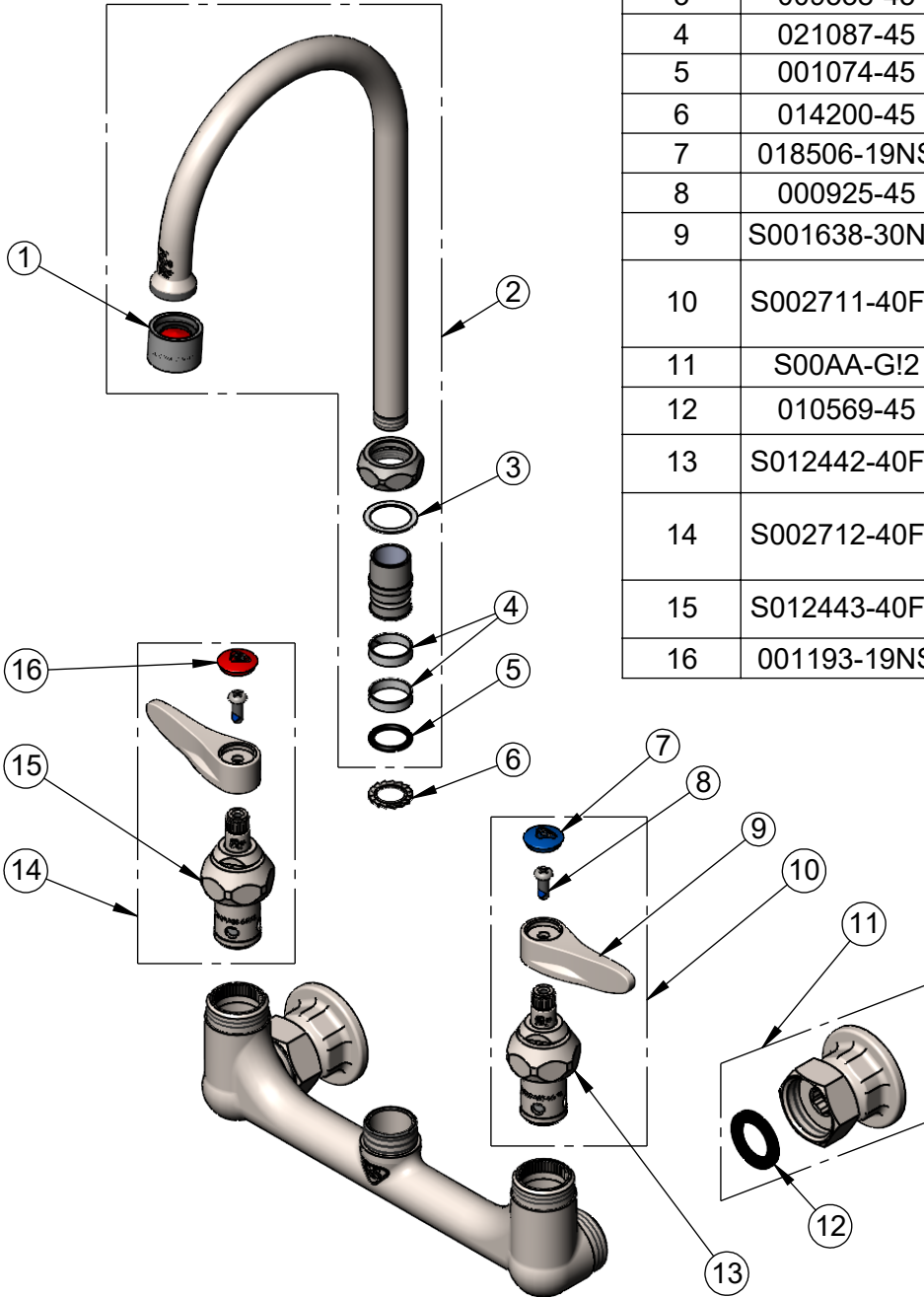
Model No.

**AS-0331-V20-G**

Item No.

Travelers Rest, SC: 800-476-4103 • Simi Valley, CA: 800-423-0150 • Fax: 864-834-3518 • www.tsbrass.com

ITEM NO.	SALES NO.	DESCRIPTION
1	S-0199-06-F20	VR 2.0 GPM Aerator, 55/64-27 Female w/ Key
2	S133X-V20	Stainless Steel 6" Swivel Gooseneck w/ 2.0 GPM VR Aerator
3	009538-45	Swivel Washer
4	021087-45	Swivel Sleeves (2)
5	001074-45	O-Ring
6	014200-45	Star Washer, Anti-Rotation
7	018506-19NS	Blue Button Index, Press-in
8	000925-45	Lab Handle Screw
9	S001638-30NS	Lever Handle (New Style)
10	S002711-40FT	Stainless Steel Full Turn Eterna Cartridge w/ Spring Check, Handle, Blue Index & Screw, LTC
11	S00AA-G!2	G1/2 Female Eccentric SS Flange
12	010569-45	Washer, Inlet Flange Coupling (UK)
13	S012442-40FT	Stainless Steel Full Turn Eterna Cartridge w/ Spring Check, LTC
14	S002712-40FT	Stainless Steel Full Turn Eterna Cartridge w/ Spring Check, Handle, Red Index & Screw, RTC
15	S012443-40FT	Stainless Steel Full Turn Eterna Cartridge w/ Spring Check, RTC
16	001193-19NS	Red Button Index, Press-in



015425-45  
Vandal Resistant Key  
(Included)

**Product Specifications:**

8" Stainless Steel Wall Mount Mixing Faucet, Stainless Steel Full Turn Eterna Cartridges w/ Spring Checks, Stainless Steel Lever Handles, 6" Stainless Steel Swivel/Rigid Gooseneck w/ 2.0 GPM VR Aerator & G1/2 Female Inlets

**Product Compliance:**

ASME A112.18.1 / CSA B125.1  
NSF 61 - Section 9  
NSF 372 (Low Lead Content)  
ANSI A117.1 (ADA)  
AS/NZ WaterMark / WELS