



T&S BRASS AND BRONZE WORKS, INC.
 2 Saddleback Cove / P.O. Box 1088
 Travelers Rest, SC 29690

Model No.

AS-0231-V20-G

Item No.

Travelers Rest, SC: 800-476-4103 • Simi Valley, CA: 800-423-0150 • Fax: 864-834-3518 • www.tsbrass.com



ADA Compliant

EVERSTEEL™



This Space for Architect/Engineer Approval

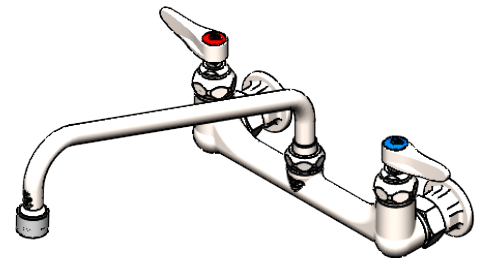
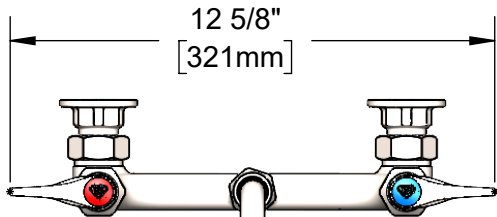
Job Name _____ Date _____

Model Specified _____ Quantity _____

Customer/Wholesaler _____

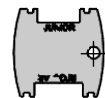
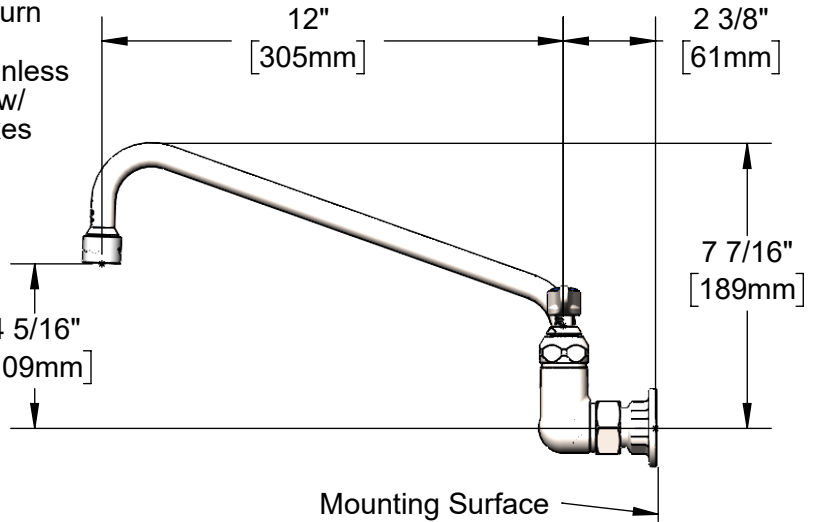
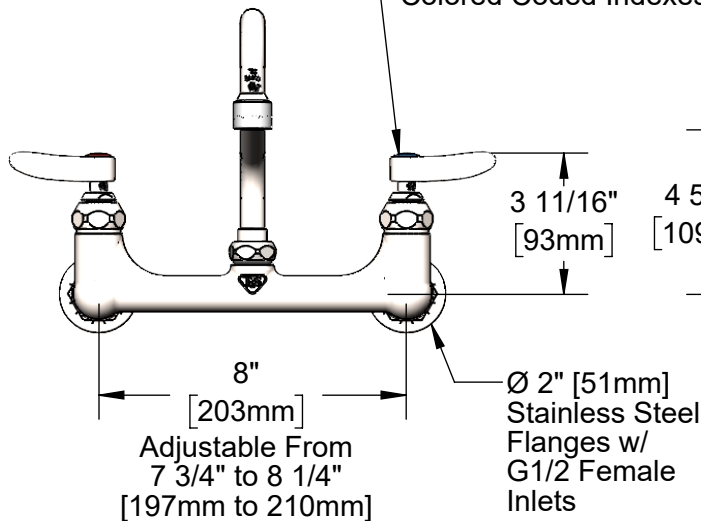
Contractor _____

Architect/Engineer _____



S062X-V20
 Stainless Steel 12" Swing Nozzle
 w/ 2.0 GPM [7.6 L/min] Vandal
 Resistant Aerator. Converts to
 Rigid w/ 014200-45 Lock Washer
 (Included).

Stainless Steel Full Turn
 Eterna Cartridges w/
 Spring Checks & Stainless
 Steel Lever Handles w/
 Colored Coded Indexes



015425-45
 Vandal Resistant Key
 (Included)

Product Specifications:

8" Stainless Steel Wall Mount Mixing Faucet w/ SS Full Turn Eterna Cartridges w/ Spring Checks, SS Lever Handles, SS 12" Swing Nozzle w/ 2.0 GPM VR Aerator & SS G1/2 Female Inlets

Product Compliance:

ASME A112.18.1 / CSA B125.1
 NSF 61 - Section 9
 NSF 372 (Low Lead Content)
 ANSI A117.1 (ADA)
 AS/NZ WaterMark / WELS



T&S BRASS AND BRONZE WORKS, INC.

2 Saddleback Cove / P.O. Box 1088
Travelers Rest, SC 29690

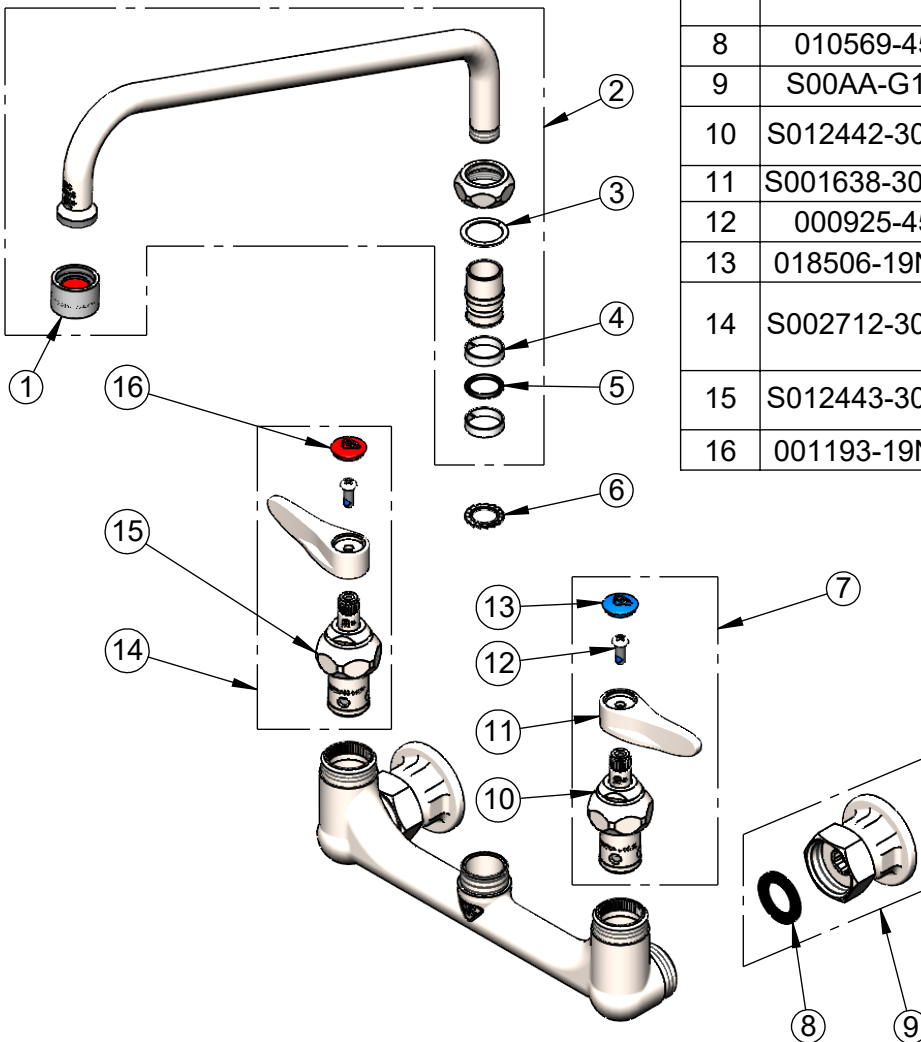
Model No.

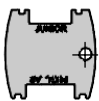
AS-0231-V20-G

Item No.

Travelers Rest, SC: 800-476-4103 • Simi Valley, CA: 800-423-0150 • Fax: 864-834-3518 • www.tsbrass.com

ITEM NO.	SALES NO.	DESCRIPTION
1	S-0199-06-F20	VR 2.0 GPM [7.6 L/min] Aerator, 55/64-27 Female w/ Key
2	S062X-V20	Stainless Steel 12" Swing Nozzle w/ 2.0 GPM VR Aerator
3	009538-45	Swivel Washer
4	021087-45	Swivel Sleeves (2)
5	001074-45	O-Ring
6	014200-45	Star Washer, Anti-Rotation
7	S002711-30FT	Stainless Steel Full Turn Eterna Cartridge w/ Spring Check, Handle, Blue Index & Screw, LTC
8	010569-45	Washer, Inlet Flange Coupling (UK)
9	S00AA-G12	G1/2 Female Eccentric SS Flange
10	S012442-30FT	Stainless Steel Full Turn Eterna Cartridge w/ Spring Check, LTC
11	S001638-30NS	Lever Handle (New Style)
12	000925-45	Lab Handle Screw
13	018506-19NS	Blue Button Index, Press-in
14	S002712-30FT	Stainless Steel Full Turn Eterna Cartridge w/ Spring Check, Handle, Red Index & Screw, RTC
15	S012443-30FT	Stainless Steel Full Turn Eterna Cartridge w/ Spring Check, RTC
16	001193-19NS	Red Button Index, Press-in




 015425-45
 Vandal Resistant Key
 (Included)

Product Specifications:

8" Stainless Steel Wall Mount Mixing Faucet w/ SS Full Turn Eterna Cartridges w/ Spring Checks, SS Lever Handles, SS 12" Swing Nozzle w/ 2.0 GPM VR Aerator & SS G1/2 Female Inlets

Product Compliance:

ASME A112.18.1 / CSA B125.1
 NSF 61 - Section 9
 NSF 372 (Low Lead Content)
 ANSI A117.1 (ADA)
 AS/NZ WaterMark / WELS