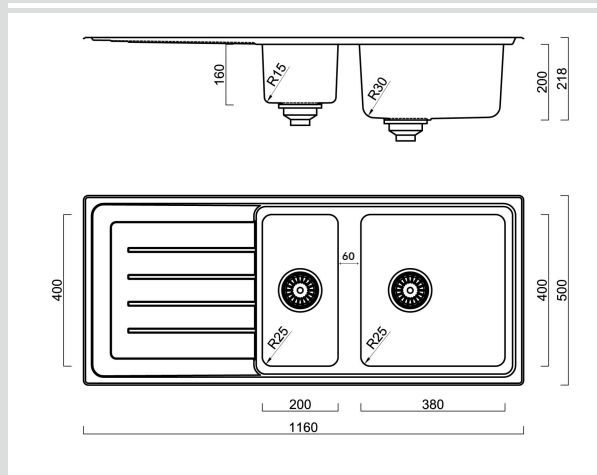


## DEB180 Burns & Ferrall Double bowl + Drainer



### Dimensions



### Specifications

Description	Double Bowl + Drainer (REVERSIBLE)
Overall Sink Size	1160mm x 500mm x 218mm deep
Bowl Dimensions	380mm x 400mm x 200mm deep 200mm x 400mm x 160mm deep
Drainer Length	430mm
Manufacture	Pressed with Laser Edge
Material	0.8mm Stainless steel 304

### Installation

Fixings	Topmount clips supplied
Template	N/A
Min Cabinet Size	725mm (allows 30mm on either side for hinges)
Waste Holes	2 x 90mm round Compatible with waste disposal

### Plumbing

Waste Fittings	2 x 90mm basket wastes included
Overflow	Slotted style (Main sink only) Compliant at 15L/Min (250ml/sec)

### Replacement Parts

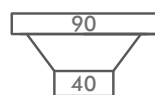
Full Waste Kit + O/Flow:	BFDWK
Waste Kit (Small Bowl)	REGSTW
Plug/Basket:	BFDBASKET
Top Mount Clips:	N/A
Overflow Badge:	BFDOFF

#### SURFACE FINISH



Satin

#### WASTE KIT



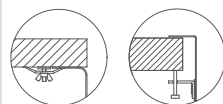
#### MATERIAL



304

Stainless Steel

#### INSTALLATION OPTIONS



Undermount Topmount

#### PROFILE



## Optional Accessories



Reward Hospitality is pleased to offer a limited 25-year warranty on all Stainless Steel sinks used in normal domestic installations. Reward Hospitality warrants its sinks to be free from all manufacturing defects in material and workmanship. Reward Hospitality warrants the waste kits, basket sieves and overflow assembly to be free from manufacturing defects for a period of one (1) year. Reward Hospitality warrants taps to be free from manufacturing defects for a period of five (5) years, the supply hose and inner cartridge for a period of five (5) years, and the inner parts including the aerator and O-ring for a period of one (1) year from the date of purchase. Reward Hospitality will repair or replace (at Reward Hospitality's discretion), at no charge, excluding labour, any product supplied by Reward Hospitality that is proven to be defective under normal use.