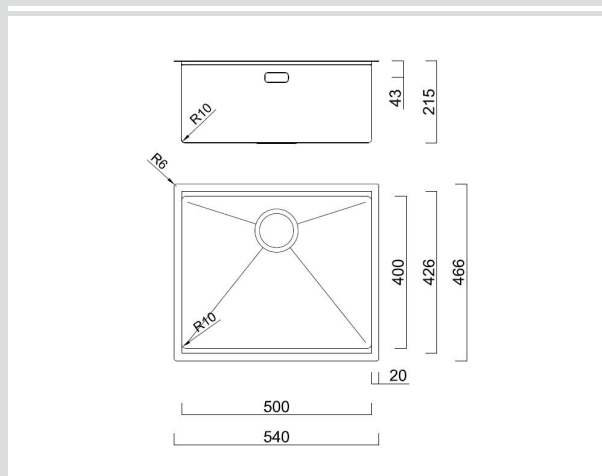




ITB500 Burns & Ferrall Prep-Center



Dimensions



Specifications

| | |
|-------------------|----------------------------|
| Description | Single Bowl + Accessories |
| Overall Sink Size | 540mm x 466mm x 215mm deep |
| Bowl Dimensions | 500mm x 400mm x 215mm deep |
| Drainer Length | N/A |
| Manufacture | Fabricated |
| Material | 1.2mm Stainless steel 304 |

Installation

| | |
|------------------|--|
| Fixings | Topmount clips supplied |
| Template | N/A |
| Min Cabinet Size | 560mm (allows 30mm on either side for hinges) |
| Waste Holes | 1 x 90mm round Compatible with waste disposal |

Plumbing

| | |
|----------------|--|
| Waste Fittings | 1 x 90mm basket wastes included |
| Overflow | Designer Badge style, included Compliant at 15L/Min (250ml/sec) |

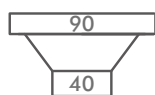
Replacement Parts

| | |
|----------------------------|-----------|
| Full Waste Kit + O/Flow: | BFDWK |
| Plug/Basket: | BFDBASKET |
| Top Mount Clips Rectangle: | ICC6B |
| Overflow Badge: | BFDOFF |

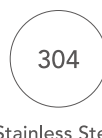
SURFACE FINISH



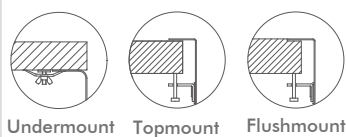
WASTE KIT



MATERIAL



INSTALLATION OPTIONS



PROFILE



Optional Accessories



Reward Hospitality is pleased to offer a limited 25-year warranty on all Stainless Steel sinks used in normal domestic installations. Reward Hospitality warrants its sinks to be free from all manufacturing defects in material and workmanship. Reward Hospitality warrants the waste kits, basket sieves and overflow assembly to be free from manufacturing defects for a period of one (1) year. Reward Hospitality warrants taps to be free from manufacturing defects for a period of five (5) years, the supply hose and inner cartridge for a period of five (5) years, and the inner parts including the aerator and O-ring for a period of one (1) year from the date of purchase. Reward Hospitality will repair or replace (at Reward Hospitality's discretion), at no charge, excluding labour, any product supplied by Reward Hospitality that is proven to be defective under normal use.