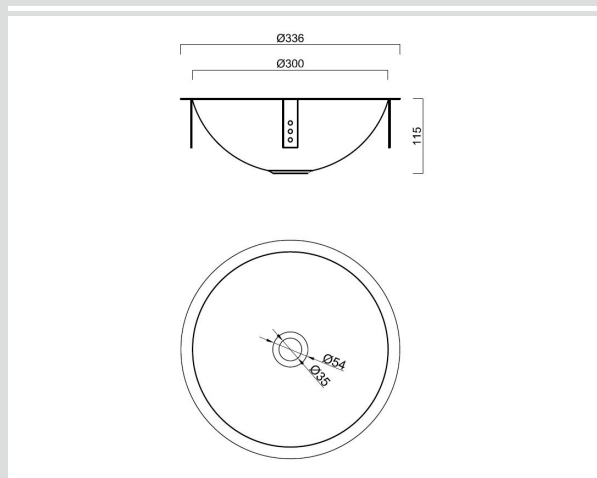




## RB3-40 Burns & Ferrall Single bowl



### Dimensions



### Specifications

Description	Single Bowl
Overall Sink Size	336mm DIA x 115mm deep
Bowl Dimensions	300mm DIA x 115mm deep
Drainer Length	N/A
Manufacture	Pressed
Material	0.9mm Stainless steel 304

### Installation

Fixings	Screw down Tags
Template	N/A
Min Cabinet Size	360mm (allows 30mm on either side for hinges)
Waste Holes	1 x 40mm round

### Plumbing

Waste Fittings	1 x 40mm waste + Plug
Overflow	N/A

#### SURFACE FINISH



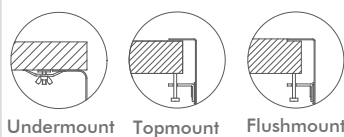
#### WASTE KIT



#### MATERIAL



#### INSTALLATION OPTIONS



#### PROFILE



## Optional Accessories

BFDRM					
			BFLD	SPAZIO	
CONOIL	SSPOLISH				

Reward Hospitality is pleased to offer a limited 25-year warranty on all Stainless Steel sinks used in normal domestic installations. Reward Hospitality warrants its sinks to be free from all manufacturing defects in material and workmanship. Reward Hospitality warrants the waste kits, basket sieves and overflow assembly to be free from manufacturing defects for a period of one (1) year. Reward Hospitality warrants taps to be free from manufacturing defects for a period of five (5) years, the supply hose and inner cartridge for a period of five (5) years, and the inner parts including the aerator and O-ring for a period of one (1) year from the date of purchase. Reward Hospitality will repair or replace (at Reward Hospitality's discretion), at no charge, excluding labour, any product supplied by Reward Hospitality that is proven to be defective under normal use.