

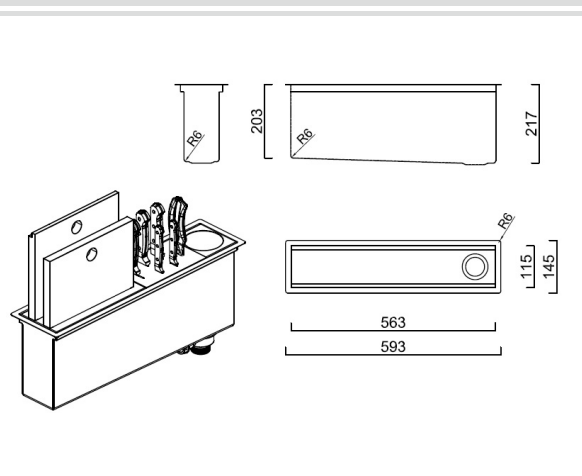
Accessories Included as pictured



## PSB600K Burns & Ferrall Panama Accessory Channel



### Dimensions



### Specifications

Description	Panama Accessory Channel
Overall Sink Size	593mm x 145mm x 217mm deep
Bowl Dimensions	563mm x 115mm x 217mm deep
Drainer Length	N/A
Manufacture	Fabricated
Material	1.2mm Stainless steel 304

### Installation

Fixings	Topmount clips supplied
Template	N/A
Min Cabinet Size	600mm
Waste Holes	1 x 50mm round (no overflow)

### Plumbing

Waste Fittings	1 x 50mm basket wastes included
Overflow	No Overflow

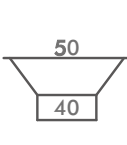
### Replacement Parts

Full Waste Kit:	WK5040PAB
Plug/Basket:	WSPAB
Top Mount Clips	ICC6B
Rectangle: Overflow	N/A

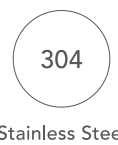
### SURFACE FINISH



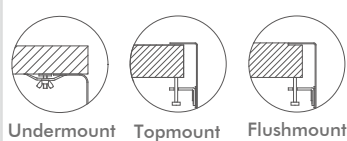
### WASTE KIT



### MATERIAL



### INSTALLATION OPTIONS



### PROFILE



## Optional Accessories

Badge:


Reward Hospitality is pleased to offer a limited 25-year warranty on all Stainless Steel sinks used in normal domestic installations. Reward Hospitality warrants its sinks to be free from all manufacturing defects in material and workmanship. Reward Hospitality warrants the waste kits, basket sieves and overflow assembly to be free from manufacturing defects for a period of one (1) year. Reward Hospitality warrants taps to be free from manufacturing defects for a period of five (5) years, the supply hose and inner cartridge for a period of five (5) years, and the inner parts including the aerator and O-ring for a period of one (1) year from the date of purchase. Reward Hospitality will repair or replace (at Reward Hospitality's discretion), at no charge, excluding labour, any product supplied by Reward Hospitality that is proven to be defective under normal use.