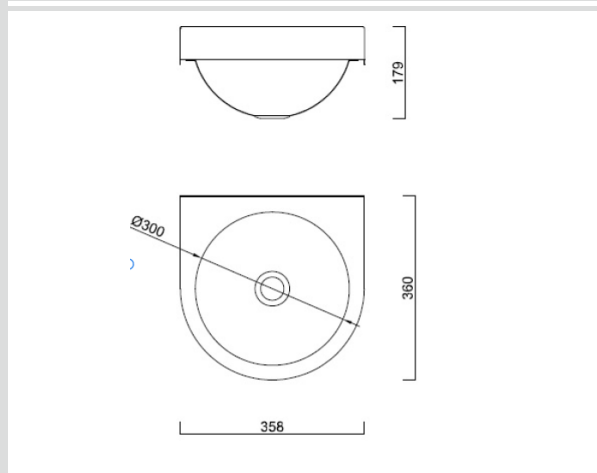




## WB3R Burns & Ferrall Hand Basin - Round



### Dimensions



### Specifications

|                   |                            |
|-------------------|----------------------------|
| Description       | Hand Basin - round fascia  |
| Overall Sink Size | 360mm x 358mm x 179mm deep |
| Bowl Dimensions   | 300mm Dia x 115mm deep     |
| Drainer Length    | N/A                        |
| Manufacture       | Pressed                    |
| Material          | 1.0mm Stainless steel 304  |

### Installation

|             |                                 |
|-------------|---------------------------------|
| Fixings     | Waste Mounting bracket included |
| Template    | N/A                             |
| Waste Holes | 40mm waste and plug included    |
| Upstand:    | 50mm high                       |

### Plumbing

|                |                               |
|----------------|-------------------------------|
| Waste Fittings | 1 x 40mm basket + Rubber Plug |
| Overflow       | N/A                           |

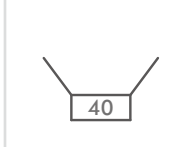
### Replacement Parts

Waste Mounting Bracket: WABR

#### SURFACE FINISH



#### WASTE KIT



#### MATERIAL



#### INSTALLATION OPTIONS

Wall Mounted

#### PROFILE

Round Fascia

Reward Hospitality is pleased to offer a limited 25-year warranty on all Stainless Steel sinks used in normal domestic installations. Reward Hospitality warrants its sinks to be free from all manufacturing defects in material and workmanship. Reward Hospitality warrants the waste kits, basket sieves and overflow assembly to be free from manufacturing defects for a period of one (1) year. Reward Hospitality warrants taps to be free from manufacturing defects for a period of five (5) years, the supply hose and inner cartridge for a period of five (5) years, and the inner parts including the aerator and O-ring for a period of one (1) year from the date of purchase. Reward Hospitality will repair or replace (at Reward Hospitality's discretion), at no charge, excluding labour, any product supplied by Reward Hospitality that is proven to be defective under normal use.