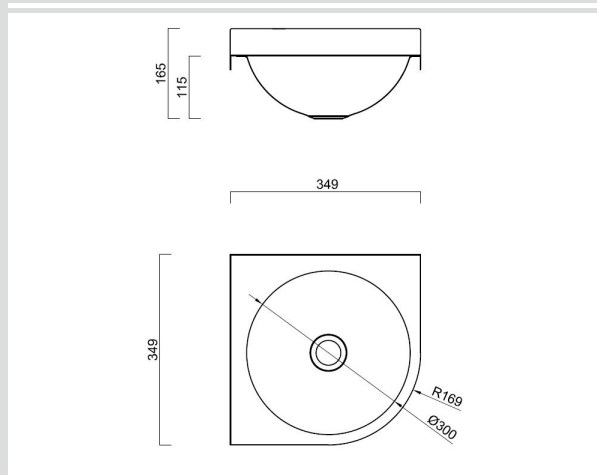


WB5C Burns & Ferrall Hand Basin - Corner



Dimensions



Specifications

Description	Hand Basin - Corner fascia
Overall Sink Size	360mm x 360mm x 165mm deep
Bowl Dimensions	300mm Dia x 115mm deep
Drainer Length	N/A
Manufacture	Pressed
Material	1.0mm Stainless steel 304

Installation

Fixings	Waste Mounting bracket included
Template	N/A
Waste Holes	40mm waste and plug included
Upstand:	50mm high - 2 sides

Plumbing

Waste Fittings	1 x 40mm basket + Rubber Plug
Overflow	N/A

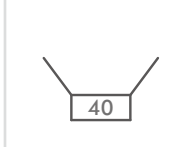
Replacement Parts

Waste Mounting Bracket: WABR

SURFACE FINISH



WASTE KIT



MATERIAL



INSTALLATION OPTIONS

Wall Mounted

PROFILE

Corner Fascia

Reward Hospitality is pleased to offer a limited 25-year warranty on all Stainless Steel sinks used in normal domestic installations. Reward Hospitality warrants its sinks to be free from all manufacturing defects in material and workmanship. Reward Hospitality warrants the waste kits, basket sieves and overflow assembly to be free from manufacturing defects for a period of one (1) year. Reward Hospitality warrants taps to be free from manufacturing defects for a period of five (5) years, the supply hose and inner cartridge for a period of five (5) years, and the inner parts including the aerator and O-ring for a period of one (1) year from the date of purchase. Reward Hospitality will repair or replace (at Reward Hospitality's discretion), at no charge, excluding labour, any product supplied by Reward Hospitality that is proven to be defective under normal use.