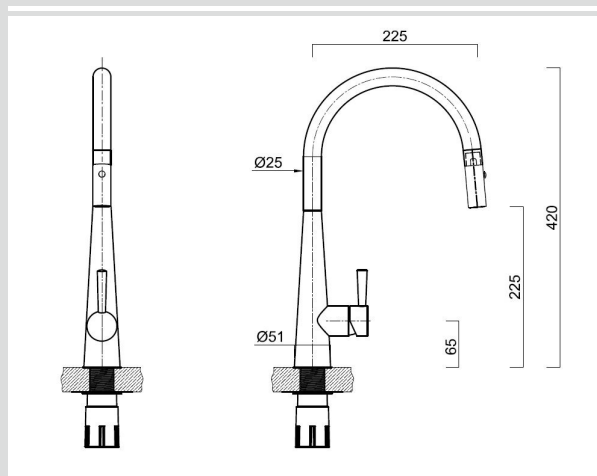




CIGNUS14BP ZOMODO PVD Black Tap

ZOMODO

Dimensions



Specifications

| | |
|--------------|--------------------------------|
| Description | CIGNUS Black PVD tap |
| Overall Size | 225mm x 420mm high |
| Material | Stainless steel 304 - with PVD |

Installation

| | |
|----------------------|---------------------|
| Hole Cut out | 35mm dia |
| Pressure | MAINS PRESSURE ONLY |
| Pull Out Dual Nozzle | YES |

SURFACE FINISH

PVD

MATERIAL

Stainless Steel

Plumbing

| | |
|-------|---|
| Hoses | 2x S/Steel braided hoses Marked Red and Blue 15mm |
|-------|---|

INSTALLATION OPTIONS



Topmount

PROFILE

Replacement Parts

Optional Accessories

| | | | | |
|--|--|--|--|--|
|  TSN01-BP |  TSN05-BP |  SDZ-BP | | |
| | | |  BFLD | |
|  CONOIL | | | | |

Reward Hospitality is pleased to offer a limited 25-year warranty on all Stainless Steel sinks used in normal domestic installations. Reward Hospitality warrants its sinks to be free from all manufacturing defects in material and workmanship. Reward Hospitality warrants the waste kits, basket sieves and overflow assembly to be free from manufacturing defects for a period of one (1) year. Reward Hospitality warrants taps to be free from manufacturing defects for a period of five (5) years, the supply hose and inner cartridge for a period of five (5) years, and the inner parts including the aerator and O-ring for a period of one (1) year from the date of purchase. Reward Hospitality will repair or replace (at Reward Hospitality's discretion), at no charge, excluding labour, any product supplied by Reward Hospitality that is proven to be defective under normal use.