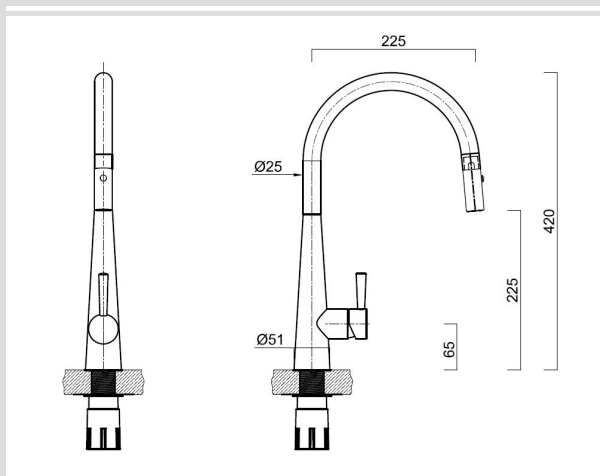




## CIGNUS14BRSS Burns & Ferrall Brushed Stainless Steel Tap



### Dimensions



### Specifications

Description	CIGNUS Brushed S/Steel
Overall Size	Tap 235mm x 362mm
Material	high Stainless steel 304

### Installation

Hole Cut out	35mm dia
Pressure	MAINS PRESSURE ONLY
Pull Out Dual Nozzle	YES

### SURFACE FINISH

Brushed  
Stainless Steel

### MATERIAL

Stainless Steel

### INSTALLATION OPTIONS



Topmount



### PROFILE

### Plumbing

Hoses	2x S/Steel braided hoses Marked Red and Blue 15mm
-------	---

### Replacement Parts

### Optional Accessories

					
CONOIL				BFLD	

Reward Hospitality is pleased to offer a limited 25-year warranty on all Stainless Steel sinks used in normal domestic installations. Reward Hospitality warrants its sinks to be free from all manufacturing defects in material and workmanship. Reward Hospitality warrants the waste kits, basket sieves and overflow assembly to be free from manufacturing defects for a period of one (1) year. Reward Hospitality warrants taps to be free from manufacturing defects for a period of five (5) years, the supply hose and inner cartridge for a period of five (5) years, and the inner parts including the aerator and O-ring for a period of one (1) year from the date of purchase. Reward Hospitality will repair or replace (at Reward Hospitality's discretion), at no charge, excluding labour, any product supplied by Reward Hospitality that is proven to be defective under normal use.