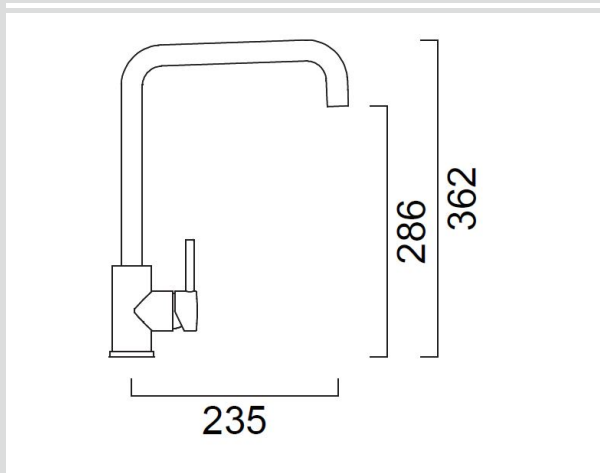




DELTA 1 1RB Burns & Ferrall PVD Gold Tap



Dimensions



Specifications

Description	DELTA Bronze PVD tap
Overall Size	235mm x 362mm high
Material	Stainless steel 304 - with PVD

Installation

Hole Cut out	35mm dia
Pressure	MAINS PRESSURE ONLY
Pull Out Dual Nozzle	NO

SURFACE FINISH

PVD

MATERIAL

Stainless Steel

INSTALLATION OPTIONS



Topmount



PROFILE

Plumbing

Hoses	2x S/Steel braided hoses Marked Red and Blue 15mm
-------	---

Replacement Parts

Optional Accessories

					BFLD
					CONOIL

Reward Hospitality is pleased to offer a limited 25-year warranty on all Stainless Steel sinks used in normal domestic installations. Reward Hospitality warrants its sinks to be free from all manufacturing defects in material and workmanship. Reward Hospitality warrants the waste kits, basket sieves and overflow assembly to be free from manufacturing defects for a period of one (1) year. Reward Hospitality warrants taps to be free from manufacturing defects for a period of five (5) years, the supply hose and inner cartridge for a period of five (5) years, and the inner parts including the aerator and O-ring for a period of one (1) year from the date of purchase. Reward Hospitality will repair or replace (at Reward Hospitality's discretion), at no charge, excluding labour, any product supplied by Reward Hospitality that is proven to be defective under normal use.