

Burns and Ferrall Locations

AUCKLAND
 12 Reg Savory Place
 East Tamaki, Auckland

0800 697 465

WELLINGTON
 122-124 Tory Street
 Te Aro

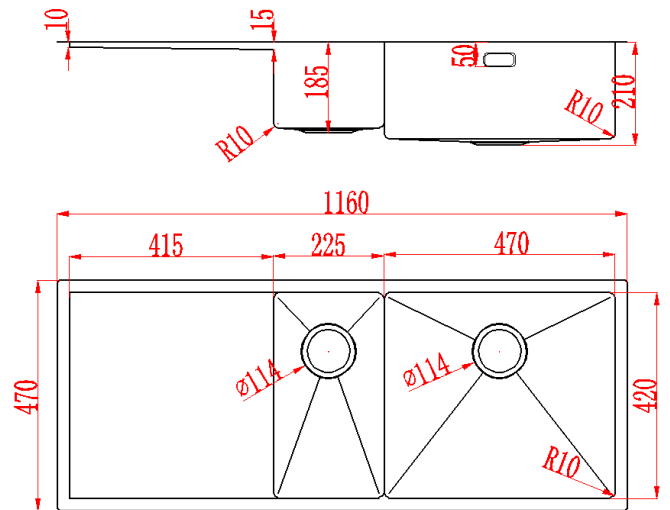
HAMILTON
 60 Alexandra Street
 Central

CHRISTCHURCH
 345 St Asaph Street
 Christchurch

**Product Specification Sheet
 DST180LHD**



- 470 x 400 x 210
- 225 x 400 x 185
- Top Mount
- Flush Mount
- Undermount
- Designer Waste
- Left Hand Drainer



Accessories Available (optional)



AQBCO
 COLANDER
 445 X 165mm



AQBTD
 DRAINING TRAY
 445 X 360mm



AQBCB
 CHOPPING BOARD
 440 X 300mm



AQBDB
 DRAINING BASKET
 435 X 330mm

E&OE – it is recommended all measurements are taken directly from the product. Specification subject to change without notice, always consult the literature supplied with the product. Coloured images are indicative only.