

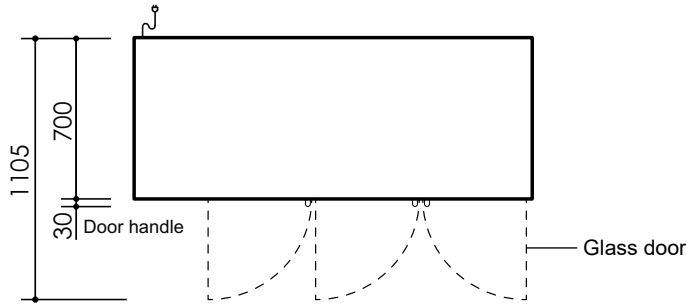
# specifications

## RF7.UBR.3.GD

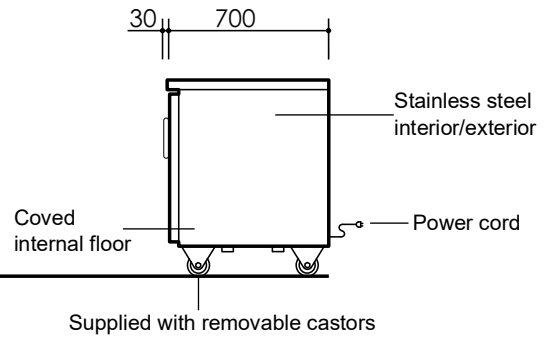
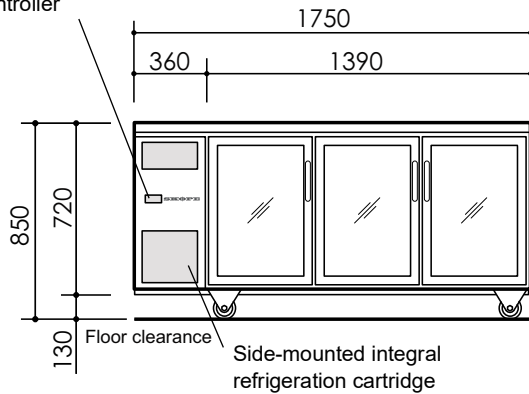
ReFlex Series, 3 Glass Door, Underbench Fridge

Project: \_\_\_\_\_

Item No: \_\_\_\_\_



SKOPE-connect compatible controller



### CABINET

Doors	3 × self-closing, lockable, double glazed, double low-e, glass swing doors. LH, LH, RH
Internal door opening	3 × door openings: 560 mm high × 360 mm wide
Shelves	6 × adjustable height shelves. <ul style="list-style-type: none"> <li>• 2 × middle shelves: 455 mm × 510 mm deep.</li> <li>• 4 × outer shelves: 395 mm wide × 510 mm deep.</li> </ul> Note: Bottom shelves supplied floor mounted, additional shelf clips are available on request.
Worktop	Total thickness 45 mm (0.7 mm 304 AISI stainless steel over insulating cyclopentane foamed core)
Material	304 AISI stainless steel interior and exterior

### PERFORMANCE

Max. ambient temp.	40°C
Temperature range	1°C to 4°C (adjustable with SKOPE-connect™ -2°C to 15°C)
GEMS class	4M1
GEMS energy consumption	3.77 kWh/24 h
GEMS annual running cost	\$413 p.a. (@ \$0.30/kWh)

### ELECTRICAL

Electrical safety climate class	5
Interior lighting	2 × 400 mm, 4W LED lights
Power cord	Supplied with 10 amp plug and 2 m lead
Power supply	220-240 volts a.c. 50 Hz, single phase supply
Current draw	2.0 amps (includes unit 1.5 amps)

### REFRIGERATION

Controller	SCS Connect (SKOPE-connect™ compatible)
Connectivity interface	Bluetooth® wireless technology
Refrigeration system	Side mounted, integral, removable refrigeration cartridge (part number ULKCN1-0028)
Refrigerant	R290/95 g (natural refrigerant)
Nominal capacity	650 watts
Heat rejection (Avg/peak)	160 watts/185 watts
Drainage	No plumbing required

### DIMENSIONS

	External	Internal
Height	850 mm*	570 mm
Width	1750 mm	1280 mm
Depth	730 mm**	530 mm
Floor area	1.28 m <sup>2</sup>	
Weight	135 kg	
Gross volume	387 L	
Net volume	319 L	

\* With supplied castors fitted. See height variation below  
\*\* Includes 30 mm door handle

Height variation	
Supplied castors	850 mm
Height adjustable legs	865 mm to 905 mm
No castors or legs	720 mm

Dimensional tolerances		
Before installing this cabinet allow the following dimensional tolerances:		
Linear dimensions	Overall cabinet dimensions	
Less than 1 metre	±5 mm	
More than 1 metre	-5 mm to +10 mm	
	Length of multiple cabinets	
	At each joint	At each end wall
Less than 1 metre	±5 mm	+15 mm
More than 1 metre	-5 mm to +10 mm	+15 mm

Ventilation requirements	
Top	Not required
Sides	Not required
Back	Not required
Bottom	Not required

SKOPE Industries Limited reserve the right to alter specifications without notice. Copyright © 2021 SKOPE Industries Limited

PSS0598 | Rev. 2.6 Mar. 2024

### SKOPE INDUSTRIES LIMITED

Australian Freephone: 1800 121 535, New Zealand Freephone: 0800 947 5673  
Email: skope@skope.com, Website: www.skope.com

