

## UNDER COUNTER GLASS DOOR MODEL : KGR18-3-N / KGR18-2(HC) KGR18-3-SN / KGR18-3(600)(HC)

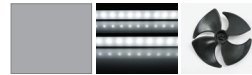
### FEATURES / BENEFITS

- Digital temperature control & monitor system**  
Keep food products safe by maintaining constant temperatures. External digital display allows for easy monitoring.
- Hydrocarbon(HC) refrigerants (R-290)**  
With innovative and eco-friendly technology, Turbo Air brings you hydrocarbon refrigerators designed to meet DOE's Energy Conservation Standards in 2017 and to use EPA's SNAP Program approved HC refrigerants. Hydrocarbon refrigerants do not deplete the ozone layer and have very low affect to global warming (ODP-0, GWP-3).
- Side mount compressor unit**  
With compressors positioned on the side of the unit, our refrigerators can now be serviced without being moved. Our innovative, front breathing feature also allows this model to be highly efficient in narrow spaces.
- Exterior & interior of the cabinet**  
The Turbo Air K-series boasts a stainless steel exterior (galvanized steel back and bottom). Interior is stainless steel floor with AL sides, back and AL door liners. It guarantees the utmost in cleanliness and long product life. The K-series adds a touch of style to the most refined setting.
- High-density polyurethane insulation**  
The entire cabinet structure and solid doors are foamed-in-place using high density, CFC free polyurethane insulation.
- Hot gas condensate system**  
Through Turbo Air's creative innovation, the condensate system surfaces have been specially treated to resist corrosion. This not only increases efficiency without the risk of refrigerant leakage from corrosion, but also thoroughly prevents the overflow of condensate water.
- Ergonomically designed doors**  
Customers' fatigue fades away with easy grip handles and doors that open effortlessly. These features along with self-closing doors make this the ultimate choice in customer convenience.
- Adjustable, heavy duty, PE (polyethylene) coated wire shelves**
- Easy open front grille with condenser cleaning brush kit**  
Front grille cover is easily removable without any tools, which makes condenser cleaning easy and convenient at any time. Handy condenser cleaning brush is included inside the front grille cover.
- Refrigerator holds 1°C ~ 8°C for the best in food preservation**

**NATURAL Refrigerant** Front Breathing



Available in 700mm as standard and slim 600mm deep



**LED interior lighting & fan control (only at Turbo Air)**

Energy efficient LED lighting lights every corner, making items easy to find. Fan control function automatically shuts off the fan when the door is open, which prevents hot air from being drawn in, thus maintaining the cool inner temperature.

**Standard features**

- Anti-corrosion coated evaporator
- Self-contained syste
- Standard 125mm. swivel castors with locks on the front se
- Door locks standar

**Optional features**

- 125mm castors fitte
- 180mm,105mm, 80mm castors optiona
- Adjustable legs 100-155mm, 70-90m

Model	Swing Door	Capacity (litres)	#of Shelves	HP	AMPS	Crated Weight (kg)	W x D x H (mm)
<b>KGR18-3-N / KGR18-3SN</b>	<b>2</b>	<b>538ℓ / 400ℓ</b>	<b>2</b>	<b>1/4</b>	<b>2.5</b>	<b>96</b>	<b>1800x700(600)x860</b>

# UNDER COUNTER GLASS DOOR

MODEL : KGR18-3-N / KGR18-2(HC)  
KGR18-3-SN / KGR18-3(600)(HC)

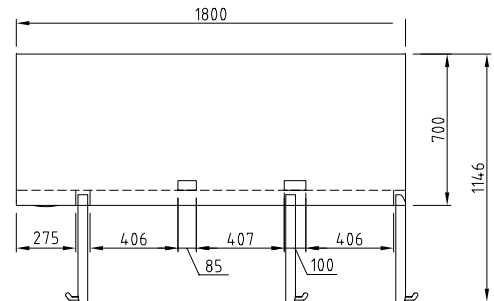
SPEC SHEET	
Classification	Refrigerator
Cabinet dimension (WxDxH mm)	1800x700(600)x860
Capacity (Liters)	538 / 400
Inner Temperature	1°C ~ 8°C
Ambient Temperature	40°C
Doors	3
# of shelves	3
Refrigerant	R290
Compressor (HP)	1/3
Cooling Type	Fan cooling type
Insulation Type	Polyurethane/ Cyclopentane+CFC Free
Temperature Control Type	Digital
Amps (A)	1.4/2/5
Voltage (V/Hz/Ph)	240V 50Hz 1Ph
Power (W)	280
Weight (Kg)	127

Design and specifications subject to change without notice.  
Actual shipping weight may differ due to extra packing materials for product protection.

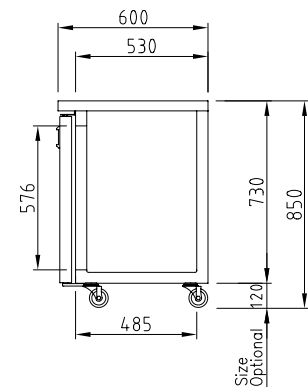
- DOOR LOCKS STANDARD
- INTERIOR LED LIGHTING STANDARD
- SELF-CONTAINED SYSTEM
- STANDARD 4 SWIVEL CASTERS WITH LOCKS ON THE FRONT SET
- ALUMINIUM DOOR FRAME
- LOW-E DOUBLE GLASS
- DEPTH 600MM AVAILABLE UPON REQUEST

## PLAN VIEW

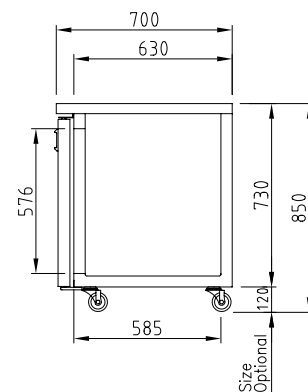
(unit : mm)



TOP VIEW



Add 5mm to H

SIDE VIEW  
(Depth 600mm)SIDE VIEW  
(Depth 700mm)

## AUSTRALIA BRANCH

TURBO AIR PTY LTD  
[www.turboairinc.com.au](http://www.turboairinc.com.au)  
 1st Floor, Building E  
 10 Highgate St, Auburn  
 NSW 2144 Australia  
 T. 02 9737 9881

# Turbo air

email : TA.admin@turboairinc.com.au