

DELUXE STAINLESS STEEL ELECTRIC COFFEE MAKER



USER MANUAL

DELTA DELUXE STAINLESS STEEL ELECTRIC COFFEE MAKER

ED133

V2 01/21

DISTRIBUTED BY:



p: 0800 503 335 | w: www.southernhospitality.co.nz
e: weborders@southernhospitality.co.nz

TABLE OF CONTENTS

General information.....	3
Installation.....	3
Warnings.....	3
How to boil water and brew coffee.....	4
Auto re-set thermal switch.....	4
Cleaning the appliance.....	4
Cleaning after use.....	5
Damage to cord and plug.....	5
The electric circuit diagram.....	5
Usage parameters.....	5

General Information

1. Never immerse the appliance in water.
2. Never switch on the appliance while empty.
3. Always use the appliance on a dry, level and heat resistant surface away from any edges.
4. Ensure hands are dry before using the appliance.
5. This appliance produces boiling water—ensure the unit is out of reach of children.

Installation

1. Before using the appliance, first clean the tank, top cover and body etc.
2. Place the unit upright on a firm and flat surface.
3. Plug the appliance into an earthed socket while the unit is switched off.

Warnings

- The outside of the appliance gets very hot during boiling, do not touch the surface.
- Do not remove the top cover while boiling.
- If the appliance is overfilled, boiling water may spill out of the unit.
- This appliance is not intended for use by persons (including children) with reduced physical, sensory or mental capabilities or lack of experience and knowledge, unless they have been given supervision or instruction concerning the use of the appliance by a person responsible for their safety.
- When this appliance is boiling ensure the unit is out of reach for children. Children should be supervised to ensure that they do not play with the appliance.
- This appliance is intended to be used in household and similar applications such as:
 - staff kitchen areas in shops, offices and other working environments
 - farm houses
 - by clients in hotels, motels and other residential type environments
 - bed and breakfast type environments

How to boil water and brew coffee

1. Fill the tank with cold water. There is a MAX line marked on the inside of the tank. Do not fill water over this mark. Make sure the environmental temperature indoors is between 0–38 degrees and the environmental humidity is less than 90%.
2. If you want to brew coffee, place the percolator tube and the filter basket in the tank and put some coffee ground up to the level indicated in the filter basket. If you want to boil water, don't put the percolator filter and tube inside the tank. Make sure the foot of the percolator tube is positioned firmly on the cavity of the base, otherwise, it will not work properly.
3. Replace the cover and switch the unit on. The heating lamp indicator should now light up and the unit will begin to boil the water.
4. After about 35 minutes the water temperature will have reached 97 degrees and the auto-thermostat will switch the large heating element off and the small heating element on, which automatically keeps the water at the correct temperature.
5. If you want to brew coffee with the filter basket and tube; after filling the filter basket with coffee grounds and the tank with some water, switch on the appliance. There is water pressure working inside the tank, the water will enter through the two small holes at the bottom of the filter tube and spray out through the small holes on the top of the filter tube. The higher the water temperature is, the stronger the water sprays out.
6. After about 30 minutes, the water temperature will be at 97 degrees and the auto-thermostat will stop working, this means that the big heating elements will also stop heating, the small heating element will automatically begin to work to keep the coffee warm.
7. When about three cups of water are remaining in the tank, turn the unit off and unplug it from the electric outlet.
8. Do not run when the tank's water level is very low.

Auto-reset thermal switch

- The appliance is fitted with an auto-reset dry-protect thermal switch. This is activated when the unit has no water in the tank. The unit must be unplugged before it can be reset. The appliance will reset automatically when it has cooled down. The appliance can then work normally.
- This safety device may have been triggered during transport, if so reset the thermal cut-off following the above instructions.
- If resetting this thermal cut-out does not switch the unit back on, please contact your nearest branch or call the customer service team on 0800 504 504.

Cleaning the appliance

This unit must be cleaned thoroughly after each use. This is in addition to a weekly clean using vinegar to remove mineral deposits. If these deposits are not removed, pitting of the metal can occur and may result in damage to the appliance. Do not hose down.

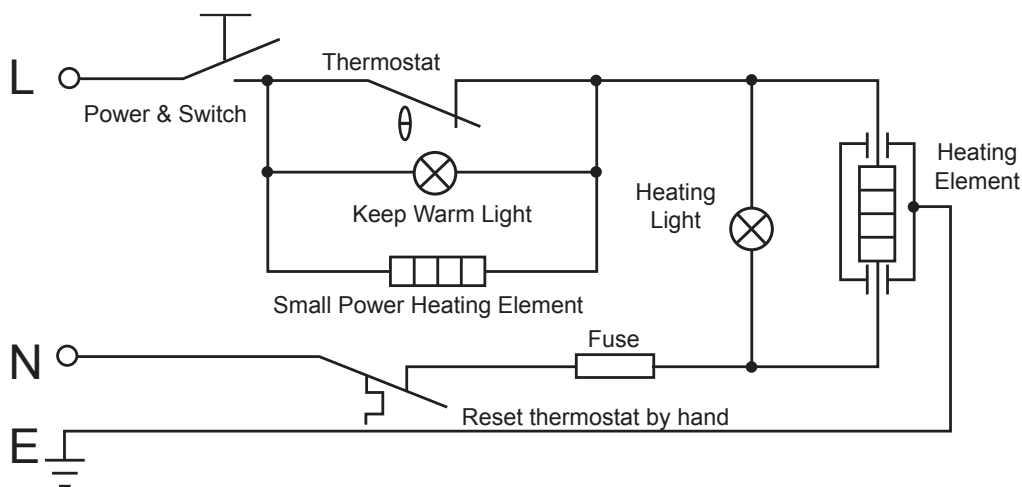
Cleaning after use

1. Clean the tank, top cover and the body etc and dry them with a soft cloth. All these parts are made of stainless steel and can be cleaned with hot soapy water.
2. If the appliance is to function properly, the cavity in the middle of the base must be free of limescale. Use a scale remover if necessary.
3. This unit includes an overheat protection system that turns off the element when parts of the unit are getting excessively hot.
4. To clean the tap, move a brush up and down through the tap, then insert the brush through the opening inside the appliance to clean the tap connection.
5. Wash the tap handle in hot soapy water and rinse. Replace the tap.
6. Do not use baking soda to clean the appliance as it can discolour and pit the metal.

Damage to cord and plug

If the power cable is damaged, an appropriate cable must be used and work carried out by a competent person.

The electric circuit diagram



Usage parameters

Model No.	Power	Volume	Voltage	Environmental temperature in use	Environmental humidity in use
				10–38 degrees	Less than 90%