

2 YEAR
WARRANTY



Salad/Pizza Counter



Strong stainless steel hinges and self closing doors



Salad top



Comes on castors



Recessed door handles



ERE70



ERE68 / ERE69



ERE67



ERE71

EuroChill's Salad Counter range gives you quality refrigeration with style and performance. A sleek, modern look and designed with practicality and ergonomics in mind. This range would suit any commercial kitchen with refrigeration requirements. Available in five sizes. 2 year warranty* on chillers. High performance compressors ensure these units are rated to run at an ambient temperature of up to 43°C.



KEY FEATURES



- Maximized and convenient storage capacity
- Wide doors on larger models for easy access of trays
- Recessed door handles
- Bottom mounted compressor
- Coved internal cavity and drain for easy cleaning
- High density, CFC free polyurethane insulation for the entire cabinet structure and door
- Stainless steel interior and exterior, galvanized backing
- Self closing / stay open doors
- Adjustable shelving
- Strong stainless steel door hinges
- Comes on castors

Model	ERE67 Salad Prep Chiller	ERE68 Salad/Pizza Prep Counter	ERE69 Salad Prep Chiller	ERE71 Pizza Counter	ERE70 Salad/Pizza Prep Counter
Dimensions	900W x 700D x 1040mmH	1225W x 762D x 1109mmH	1530W x 762.7D x 1109.2mmH	1702W x 895D x 1035mmH	1846W x 762D x 1109mmH
Capacity	300L	340L	516L	566L	538L
Op. temp	2~8°C	1~8°C	1~8°C	1~8°C	1~8°C
No of doors	2	2	2	2	3
No of shelves	1 per door	1 per door	1 per door	1 per door	1 per door
Material	Stainless steel galvanised backing	Stainless steel galvanised backing	Stainless steel galvanised backing	Stainless steel galvanised backing	Stainless steel galvanised backing
Insulation	Polyurethane 35mm	Polyurethane 45mm	Polyurethane 45mm	Polyurethane 45mm	Polyurethane 45mm
Cooling type	Ventilated	Ventilated	Ventilated	Ventilated	Ventilated
Refrigerant	R600a	R290	R290	R290	R290
Voltage	220–240V/50Hz	220–240V/50Hz	220–240V/50Hz	220–240V/50Hz	220–240V/50Hz
Imput power	250W, 10amp plug	370W, 10amp plug	560W, 10amp plug	410W, 10amp plug	290W, 10amp plug
Weight	157kg	110kg	150kg	157kg	170kg

*2 year warranty subject to proper maintenance and use.

Sufficient ventilation required. See EuroChill warranty document for more information.

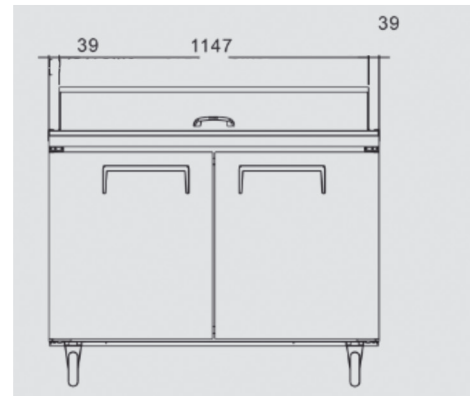
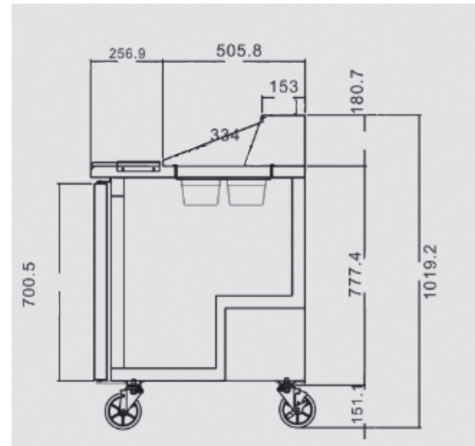
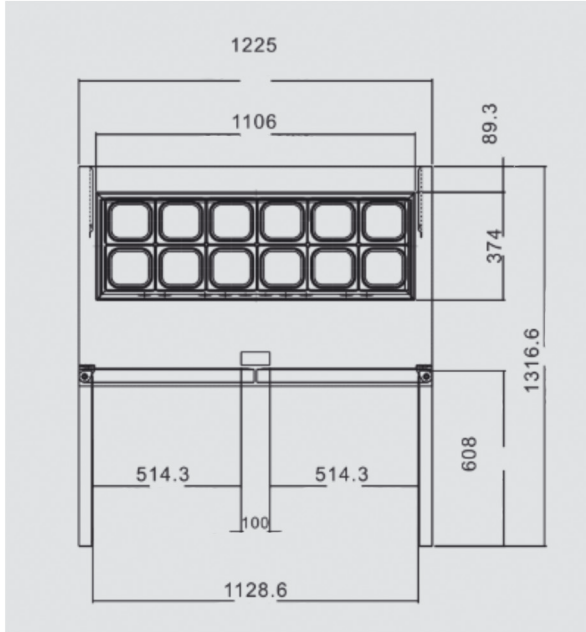
• Subject to correct use and maintenance. Specifications are subject to change without notice.

EuroChill Manufacturing

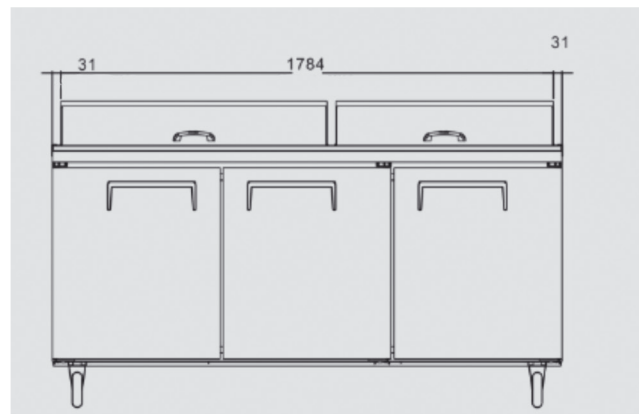
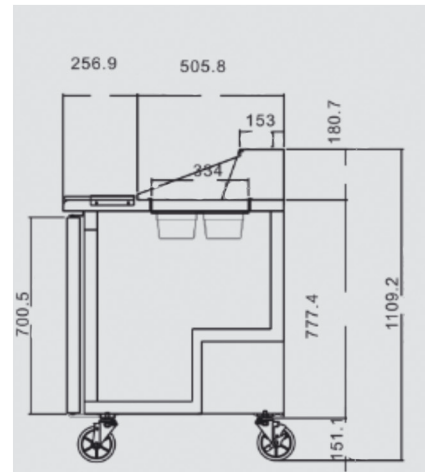
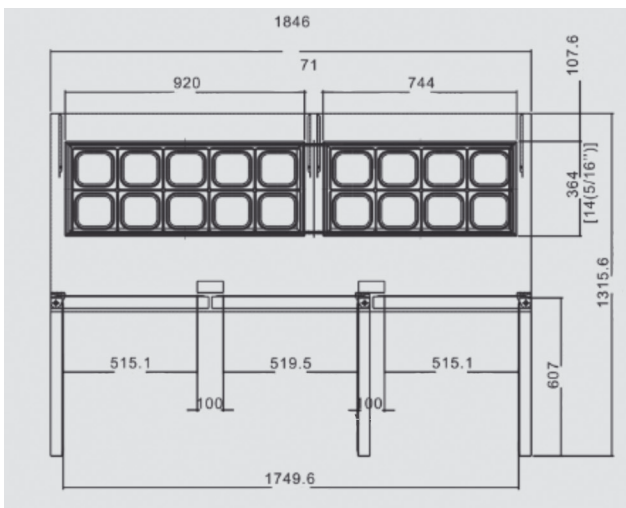
Distributed by Southern Hospitality Ltd 0800 503 335

www.southernhospitality.co.nz

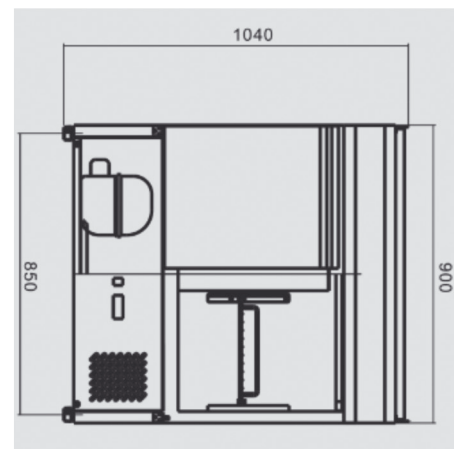
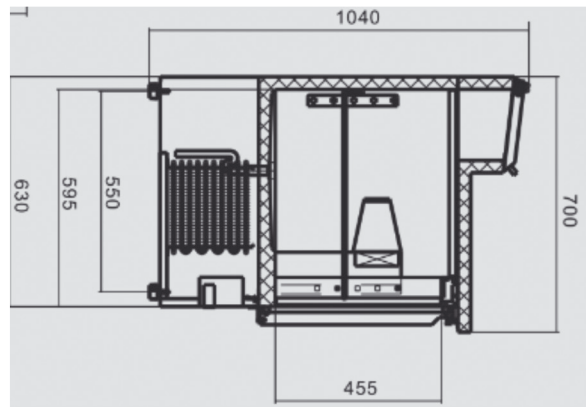
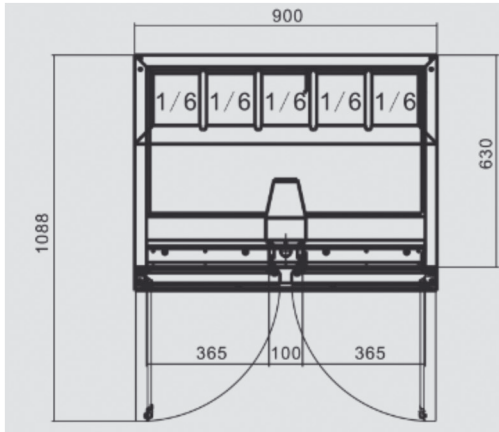
ERE68
Salad/Pizza Prep Counter



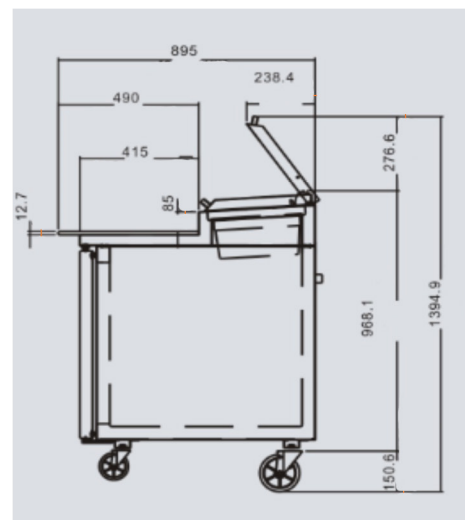
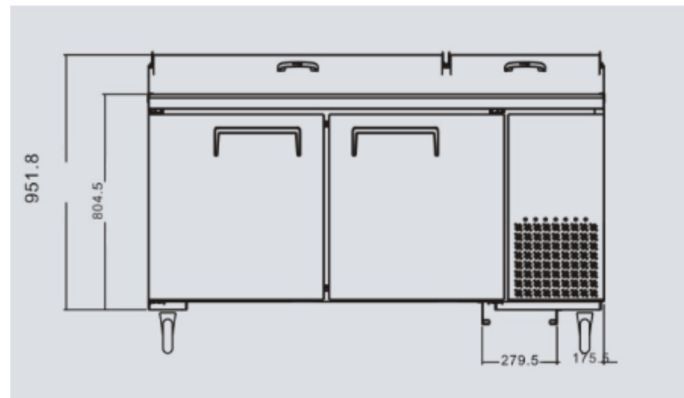
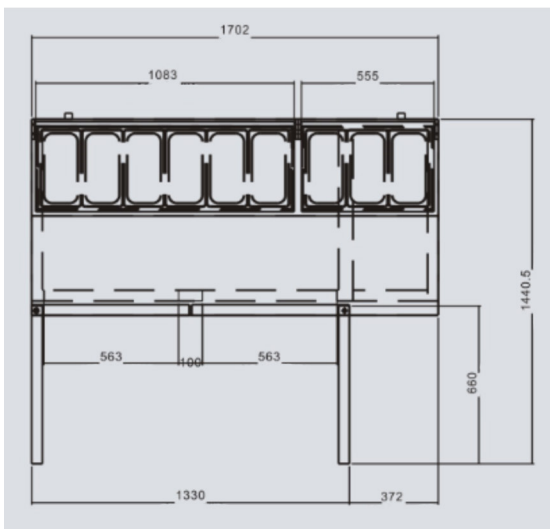
ERE70
Salad/Pizza Prep Counter



ERE67
Salad Prep Chiller



ERE71
Pizza Counter





ERE69
Salad Prep Chiller

