

INSTRUCTION SHEET 234958 FOR FITTING DOUBLE STACKING KIT DSK272831 & DSK272831C TO E27/E28/E31 OVENS



SERVICE WORK ONLY TO BE CARRIED OUT BY QUALIFIED PERSONS

Suitable for the following models:

Turbofan E27/E28/E31 Ovens.



Packed By:-	
/ /	/ /
Initial	Date

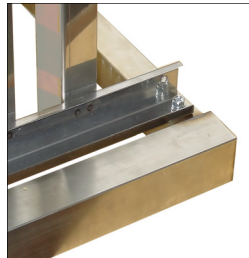
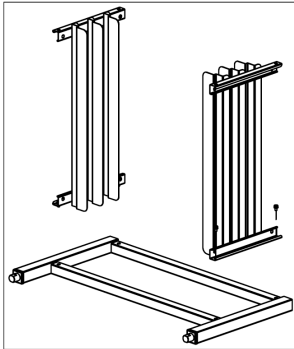
Contents: Double Stacking Kit DSK272831 or DSK272831C.

Unpacking and Assembly:

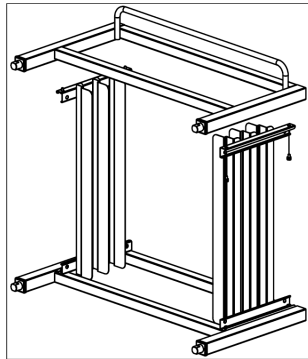
Check that the kit includes the correct parts and quantities for the stand as listed overleaf.

1. Assemble Base Stand:

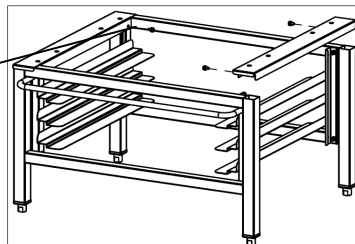
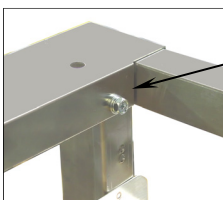
- Remove protective plastic from the 2 top plates.
- Assemble side racks to rear frame and secure with taptite screws supplied. Only loosely tighten all screws until Top Plates are fitted.



- Fit front frame (with rail) and secure to side racks with taptite screws supplied. Only loosely tighten all screws until Top Plates are fitted. **Ensure side racks are fitted correctly.**



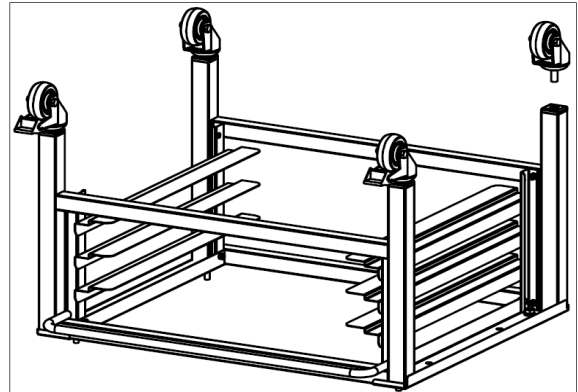
- Place base stand upright on a flat surface and fit Top Plates. Secure with taptite screws provided. Ensure top plates fitted correctly as shown below.
- Tighten all frame and top plate securing screws securely.**



f. For DSK27/28/31C Stands -

Turn base stand upside down and fit swivel / braked castors to front frame and securely tighten.

- Fit swivel castors to rear frame and securely tighten.



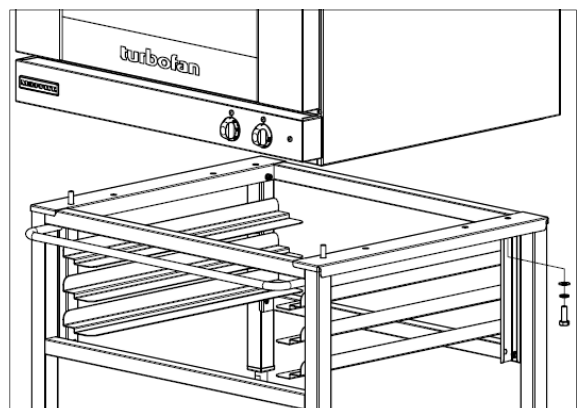
NOTE Always fit Braked Castors to front frame, which is fitted with guard rail.

2. Assemble Oven to Base Stand:

- Carefully place upper oven on its back and remove feet from oven.

NOTE Use blocks of wood or similar to rest oven on to prevent damage to rear oven vent.

- Remove feet from lower oven.
- Lift oven onto base stand with front of oven at same side as protective guard rail.
- Align leg mounting holes on underside of lower oven with holes in base stand and secure using spring washers, flat washers and M10 Hex bolts supplied.

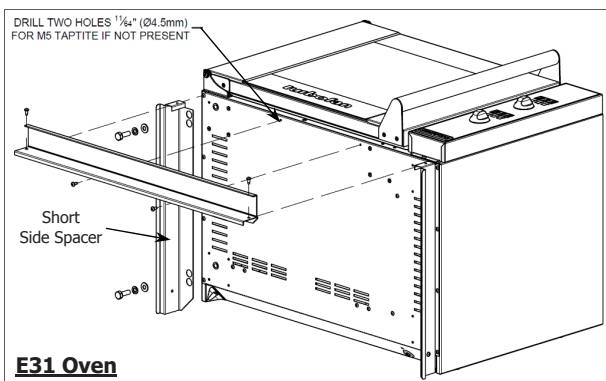
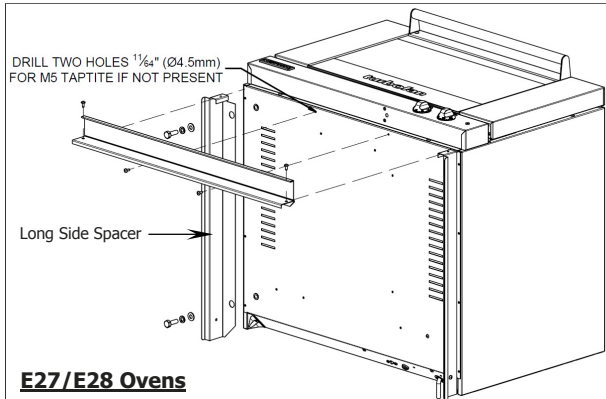


3. Fit Spacer Assy to Upper Oven:

- a. Remove protective plastic from front and side spacers.

NOTE: E27 and E28 use two long side spacers.
E31 uses two short side spacers.

- b. Carefully place upper oven on its back and remove feet from oven.



NOTE Use blocks of wood or similar to rest oven on to prevent damage to rear oven vent.

- c. Fit left and right side spacers to underside of upper oven with M10 hex bolt, spring washer, flat washer. Ensure large holes are centred over nutserts.

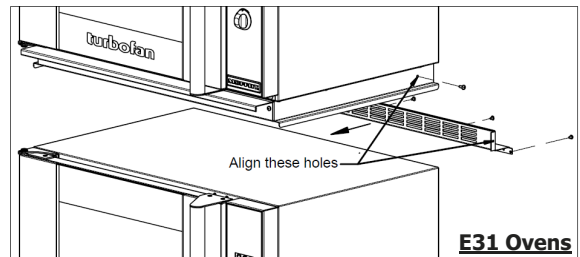
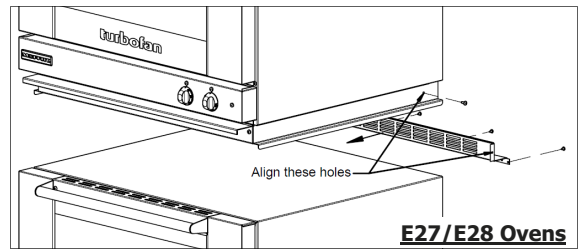
NOTE Use short side spacers Items 4 and 6 in Parts List for E31 Ovens.

- d. Fit front spacer to upper oven base panel with M5 Taptite screws supplied. (If needed, drill two $\frac{11}{64}$ " (\varnothing 4.5mm) holes in base panel using front spacer as guide.
- e. Fit 2 more M5 taptite screws through front trim into side spacers and leave loose.

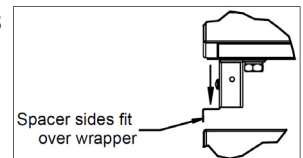
4. Fit Upper Oven to Lower Oven:

- a. Remove the 4 screws from top of lower oven rear panel.
- b. Lift upper oven onto lower oven.
- c. Fit rear spacer to lower oven and secure with screws supplied. Do not over tighten screws.

- d. Slide upper oven to align holes in spacer sides with holes in rear spacer fitted to lower oven and secure with 2, M5 taptite screws supplied.

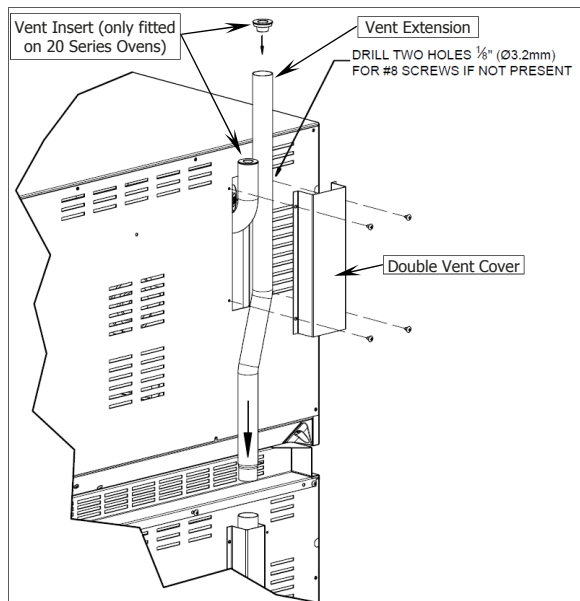


- e. Tighten 2 front screws whilst pushing spacer sides tight against wrapper sides.



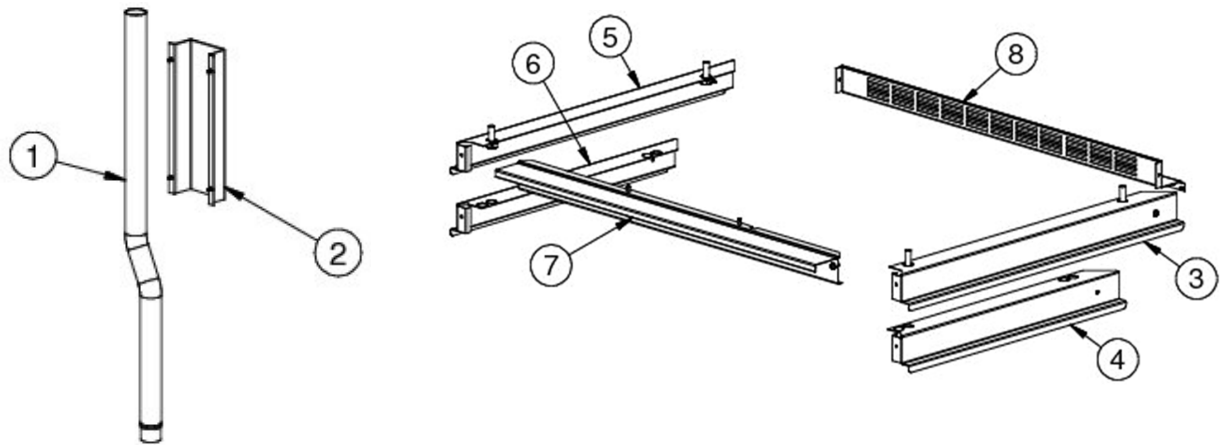
5. Fit Oven Vent Extension to Ovens

- a. Remove existing (single) vent cover from upper oven.
- b. Remove vent insert from lower oven vent and fit to top of supplied vent extension.
- c. Slide reduced end of vent extension into lower oven vent tube.



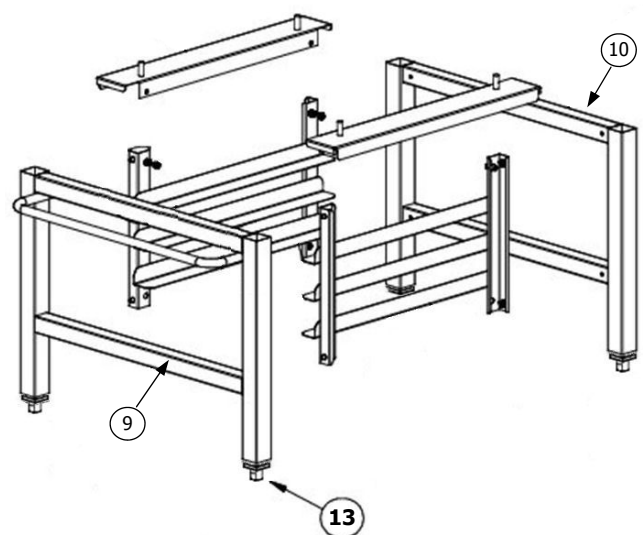
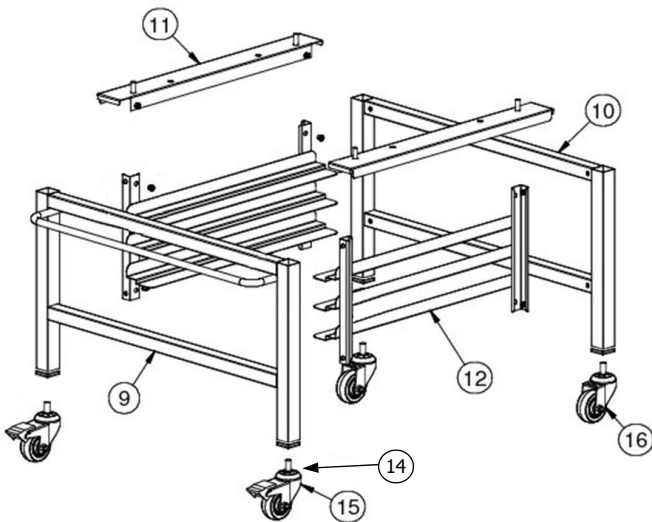
- d. Fit the vent insert to the vent pipes (20 Series Ovens only).
- e. Fit and secure the new double vent cover using screws supplied. Do not over tighten. (If needed, drill two $\frac{1}{8}$ " (\varnothing 3.2mm) holes in rear panel using vent cover as a guide).

Parts List - E27/E28/E31 Ovens:



DSK272831C fitted with Castors

DSK272831 fitted with Adjustable Feet



Item No.	Part No.	Item.	Qty.
1	234924	Vent Tube Double Stack	1
2	234923	Vent Cover Double Stack	1
3	234921	Spacer Side Long RH (for use on E27 / E28)	1
4	234915	Spacer Side Short RH (for use on E31)	1
5	234920	Spacer Side Long LH (for use on E27 / E28)	1
6	234914	Spacer Side Short LH (for use on E31)	1
7	234919	Spacer Front	1
8	234922	Spacer Rear	1
9	234951	Frame Front (with rail) (DSK272831 Only)	1
--	235306	Frame Front (with rail) (DSK272831C Only)	1
10	234912	Frame Rear (DSK272831 Only)	1
--	235305	Frame Rear (DSK272831C Only)	1
11	234941	Top Plate	2
12	234939	Side Rack	2
13	021211	Adjustable Foot 38mm (Fitted on DSK272831)	4
14	045030	Washer M12 Spring (DSK272831C Only)	4
15	234213	Castor 3" Stem Swivel D-Brake (DSK272831C Only)	2
16	234212	Castor 3" Stem Swivel (DSK272831C Only)	2
--	041045	Screw 8 x 3/8" Truss Philips N/P - (Not shown)	8
--	748039	Screw M6 x 12 Hex HD POZI ZP - (Not shown)	12
--	041043	Screw M5 x 12 Taptite - (Not shown)	6
--	041670	Screw M10 x 30 Hex HD ZP - (Not shown)	8
--	748050	Washer M10 Spring ZP - (Not shown)	8
--	045060	Washer M10 Flat ZP - (Not shown)	8