

INSTRUCTION SHEET 234747 FOR STACKING KIT DSKE32P8P12 TO FIT E32D OVENS TO P8 / P12 PROOFERS



SERVICE WORK ONLY TO BE CARRIED OUT BY QUALIFIED PERSONS

Suitable for the following models:

For fitting E32D Ovens to P8 / P12 Proofers.

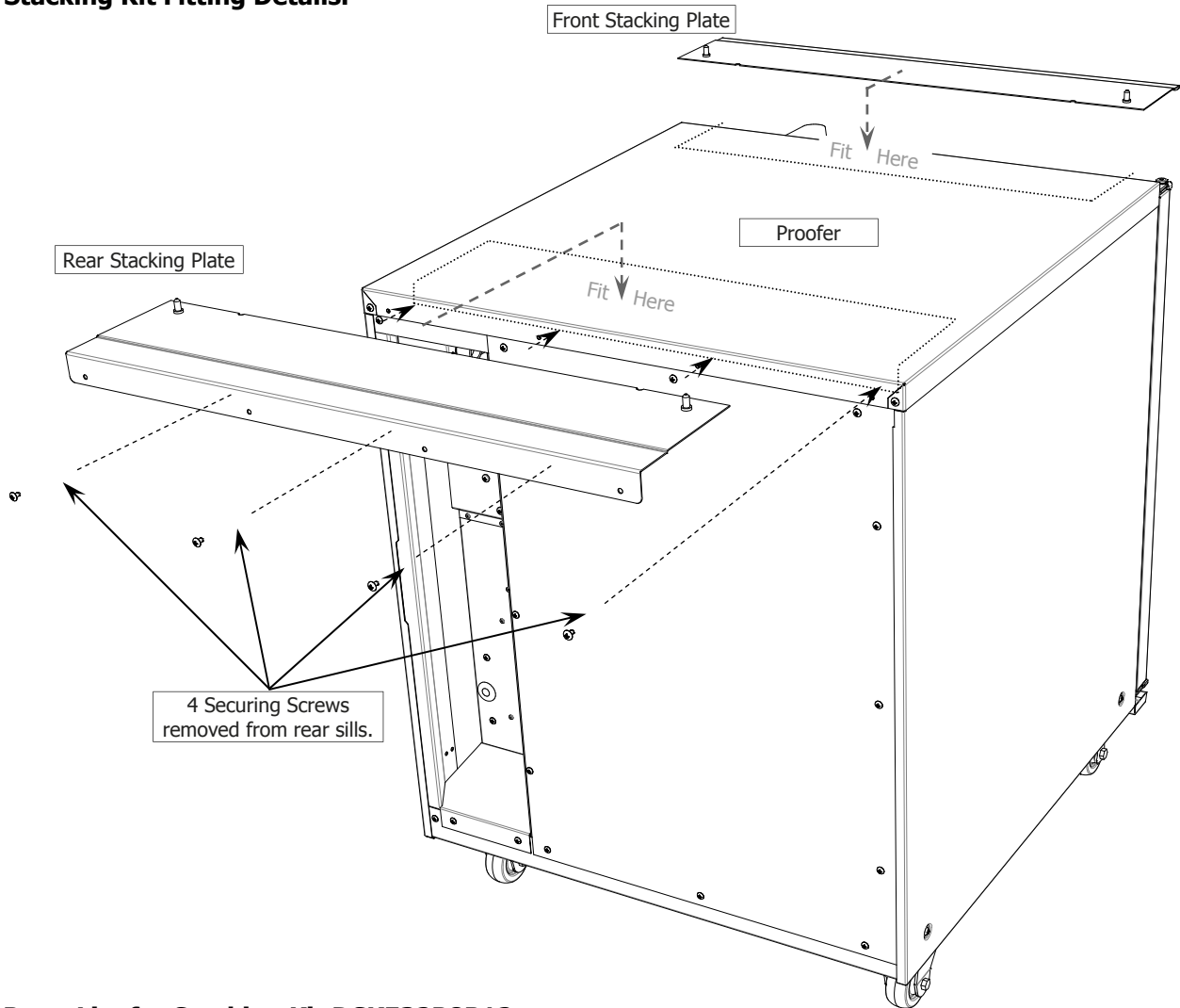


Packed By:-	
/ /	/ /
Initial	Date

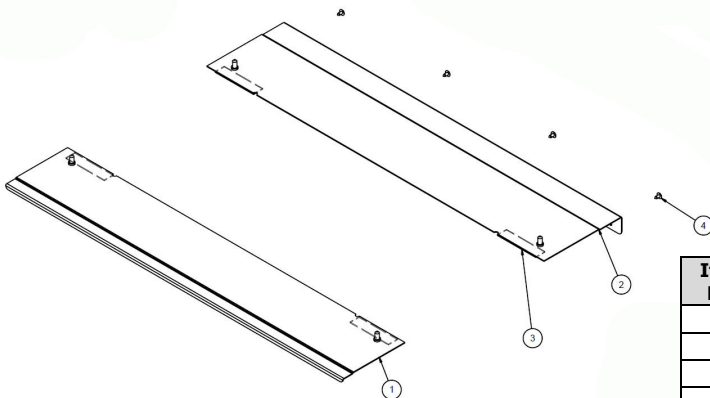
Contents:

Stacking Plate Rear Qty 1.
Stacking Plate Front Qty 1.

Stacking Kit Fitting Details.



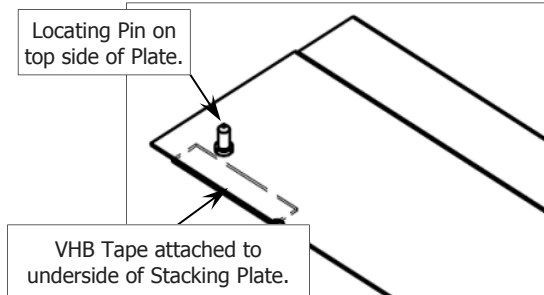
Parts List for Stacking Kit DSKE32P8P12



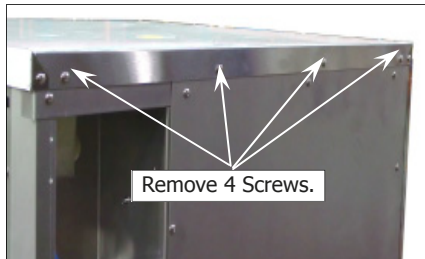
Item No.	Part No.	Item	Qty
1	234744	Stacking Plate Front	1
2	234745	Stacking Plate Rear	1
3	233317	VHB Foam Tape GP 5962	0.32M
4	041045	Screw 8 x 3/8" Truss Philips N/P	4

To fit the Stacking Kit to the E32D Oven / P8-P12 Proofers, carry out the following:-

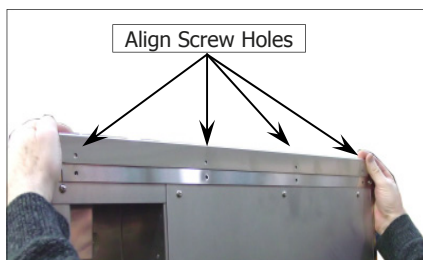
1. Remove front and rear Stacking Plates from packaging.



2. Peel off the protective plastic from the proofer top cover panel and from the front and rear stacking plates.

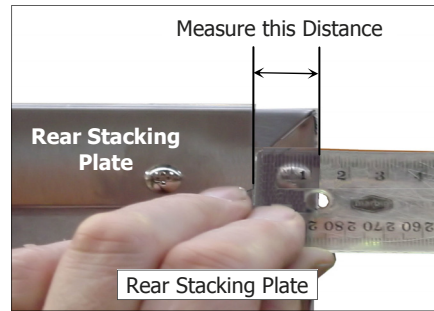


3. Remove 4 screws from top rear of Proofer.
4. Remove backing film from VHB Tape fitted to Rear Stacking Plate.

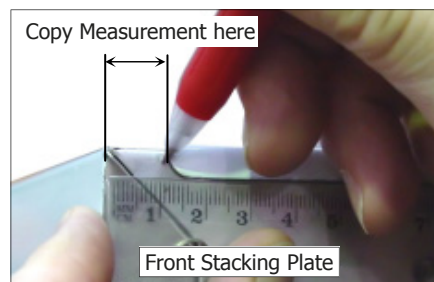


5. Align screw holes in Rear Stacking Plate with screw holes in rear of Proofer and secure in place with 4 screws.
6. Press down on top of stacking plate to ensure VHB Tape makes good contact with top of proofer.

7. Measure distance from edge of Rear Stacking Plate to edge of Proofer.



8. Place Front Stacking Plate on front top edge of Proofer and mark measurement taken at Item 7, to ensure Front and Rear Stacking Plates are aligned correctly.



9. Remove backing film from VHB Tape fitted to Front Stacking Plate.
10. Align Front Stacking Plate with measurement made at top front of oven.
11. Push Front Stacking Plate hard against the front face of proofer and press down to securely attach Front Stacking Plate to top front of proofer.
12. Lift Oven and locate onto Locating Pins on Front and Rear Stacking Plates fitted to top of Proofer.

