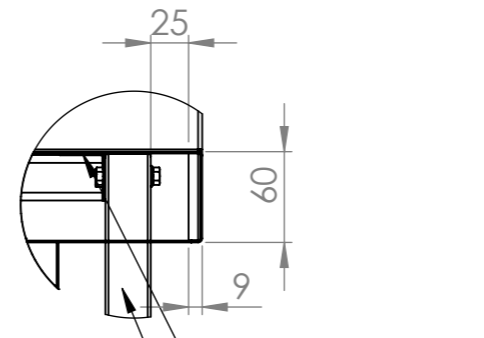
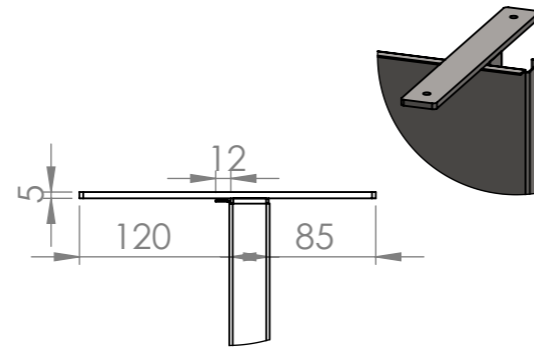


DETAIL C

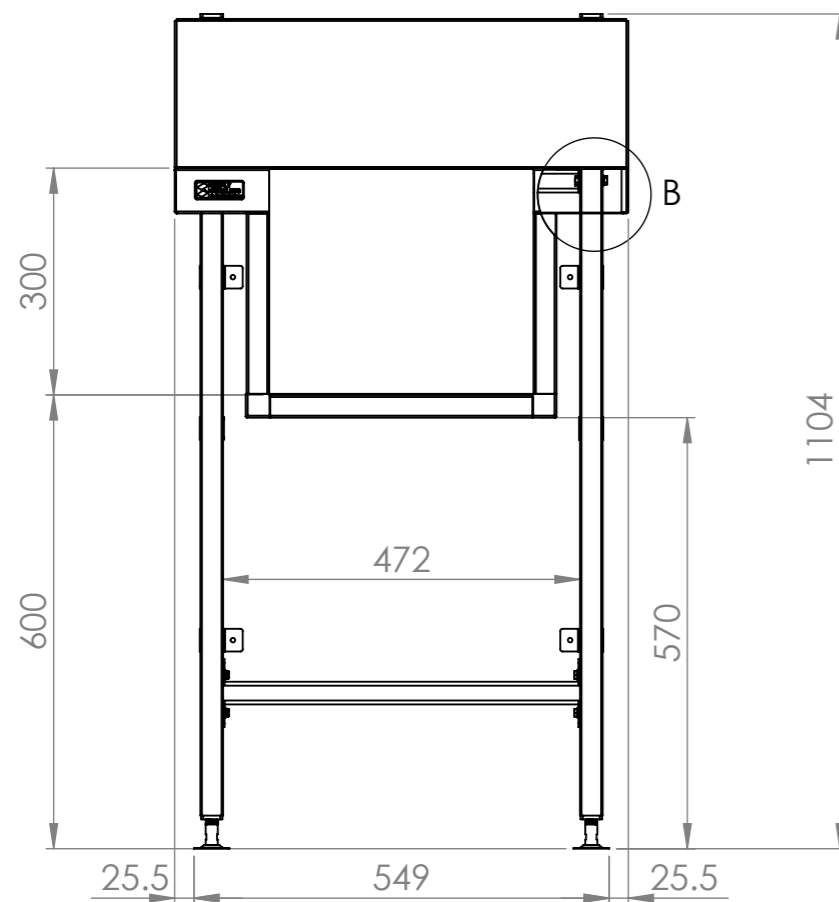
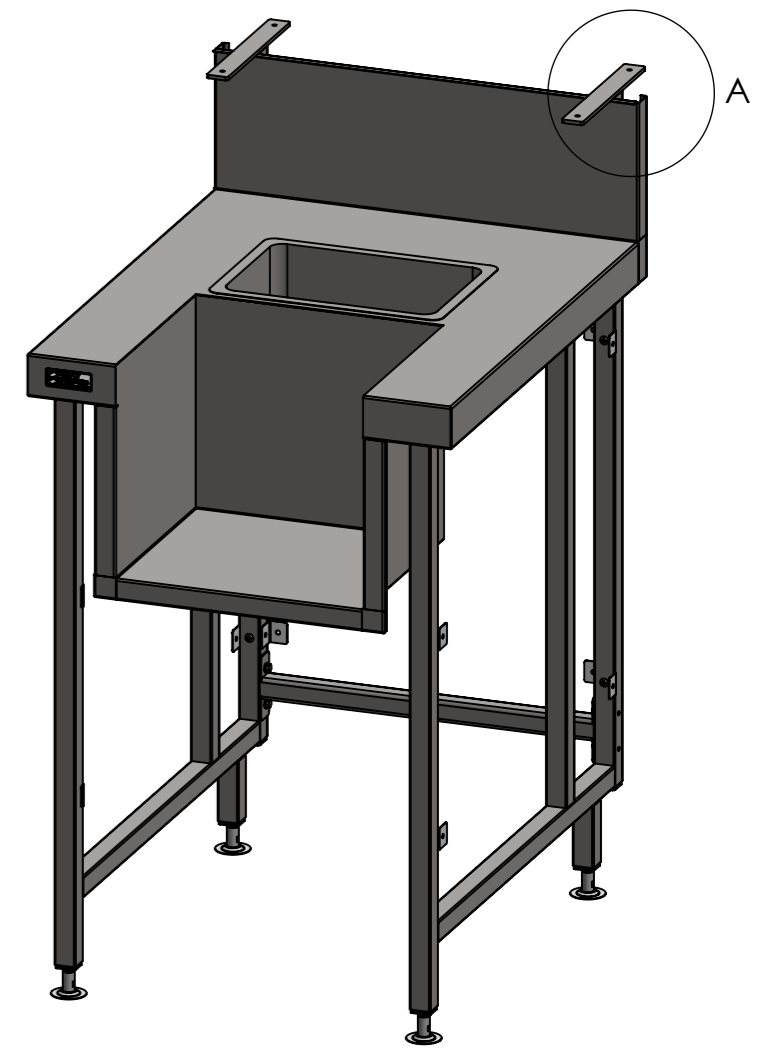


ANGLE UNDER
TOP PLATE
LEG FRAME

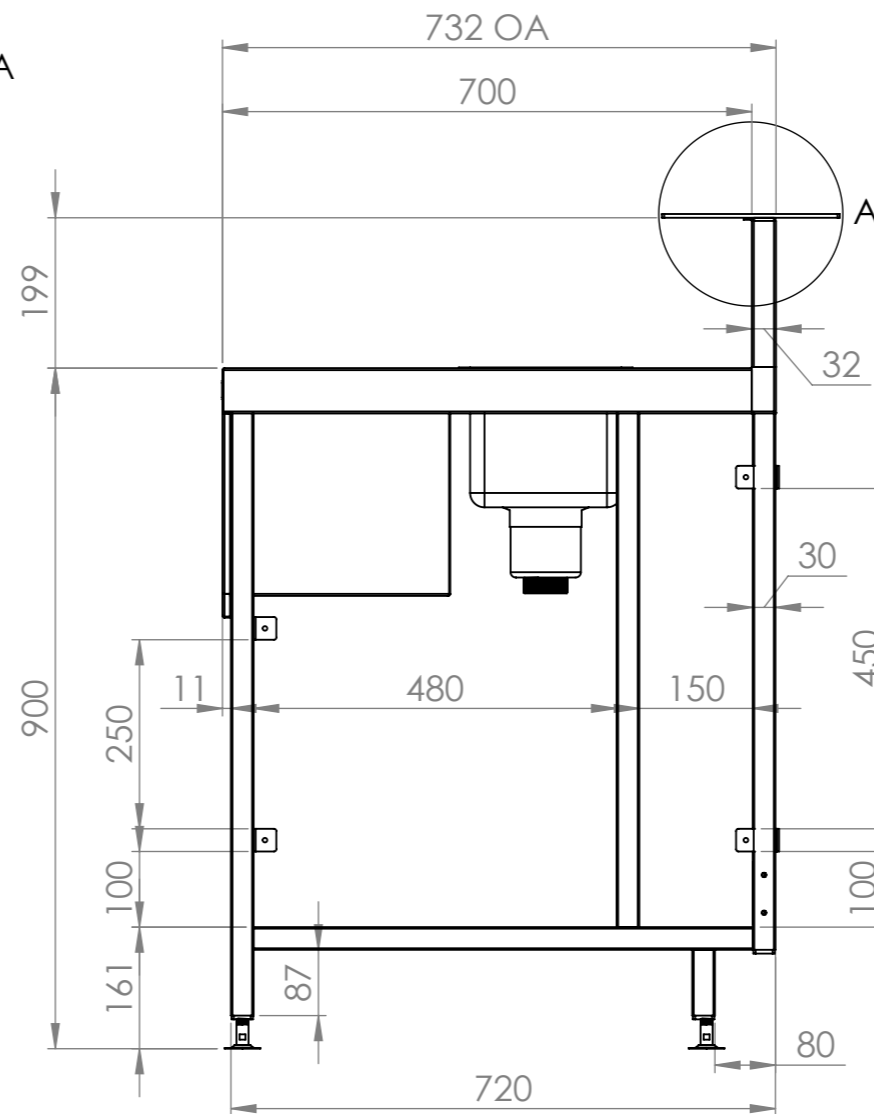
DETAIL B



DETAIL A



FRONT ELEVATION



SIDE ELEVATION

SBM-BL-7-0600

**SIMPLY
STAINLESS**

Modular Bar Solutions

COPYRIGHT © 2022

This drawing is the property of CI GROUP PTY LTD. Tradings as SIMPLY BARS and It may not be copied, reproduced or modified in whole or in part without prior written permission of CI GROUP PTY LTD. SIMPLY BARS reserves the right to change specification and design without notice.

**SBM-BL-7-0600
BLENDER STATION, 600mm**

SIZE: A3

SCALE: 1:10

CONSTRUCTION NOTES :

1. TOPS MADE FROM 304 GRADE, 1.2mm STAINLESS STEEL.
2. LEG FRAME MADE FROM 30mm STAINLESS STEEL SQ TUBE.
3. FEET ARE ADJUSTABLE STAINLESS STEEL DISC SHAPED FEET.
4. SINK MADE FROM 1.2mm STAINLESS STEEL.
5. COMES SUPPLIED WITH WATERMARK & WATERCORP APPROVED 90mm SINK WASTE & BASKET WITH 50mm CONNECTIONT.