

Starline ROC

Compact Reverse Osmosis Water Filtration System
W 140mm x D 250mm x H 505mm

The Starline ROC is a compact, high capacity reverse osmosis water filter which facilitates polish-free glasswashing when paired with a compatible Washtech undercounter or passthrough glasswasher or dishwasher. The ROC's high water throughput enables up to 55 polish-free glasswashing cycles per hour making this the ideal filtration system for busy venues.

Spotting on glassware is caused by minerals in the water left behind when a glass dries. Reverse Osmosis aggressively filters foreign particles from the rinse water prior to it entering the glasswasher ensuring that no unwanted spots or sediment are left behind on the glassware. For optimal results, only use detergent and rinse fluid designed for use as part of a polish free along with divided and tilted glassracks with either adequate storage space to allow for full drying or a drying table to accelerate the process.

Since 1981, Washtech dishwashers have been designed and manufactured in New Zealand to meet the unique local conditions and regulations. Being New Zealand based means that Washtech dishwashers are backed by the most extensive service network and parts availability in New Zealand.

Benefits

- Reduced labour costs
- Reduced glass breakage costs
- Stunning glass presentation
- Optimised hygiene with less manual handling
- Improved health and safety
- Lower chemical consumption
- Reduced dishwasher maintenance
- Extended glasswasher/dishwasher useful life

Compatible Models:

- Starline GM
- Starline UD
- Starline GL
- Starline GL-B
- Starline UL
- Starline UL-B
- Starline M1C
- Starline M2
- Starline M2C
- Starline AL
- Starline ALC
- Starline CDe120

Includes:

- BWT bestaqua 14ROC water purifier
- Single stage pre-filter
- Pressurised 14L reserve tank
- Plumbing kit suitable for glasswasher application

Optional Accessories:

- Drying tables
- Divided tilt racks



Starline ROC

washtech.co.nz

Washtech Limited

PO Box 90-548
Auckland 1142

414 Rosebank Road
Avondale
Auckland 1026
NEW ZEALAND

(09) 829 0930
info@washtech.co.nz

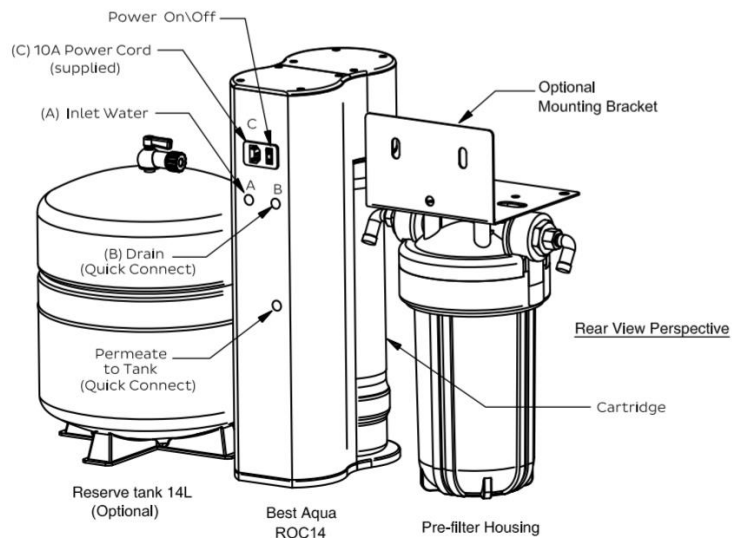
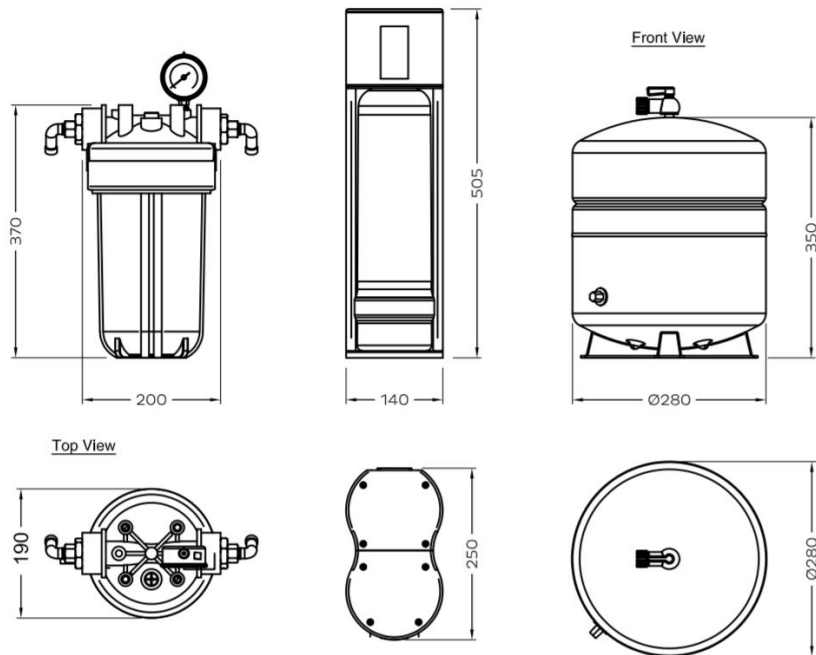
service@washtech.co.nz

For 24/7 service and support:
0800 WASHTECH

Washtech provides full service and support 24 hours a day, 7 days a week, with a comprehensive nationwide network of authorised service providers.

In line with policy to continually develop and improve its products, Washtech reserves the right to change specifications and design without notice.

© 2020 Washtech Limited
Version: SROC0020 2007



D - Cold Water*

Temperature	<25°C
Connection	3/4" male; hose supplied
Pressure	100-350kPa
Flow	10 litres per min
Quality	Potable - refer table

B - Waste

Connection	drain outlet hose supplied (John Guest 3/8" polyethylene hose)
Outlet Temp	<25°C (as per inlet temp)

C - Electrical	V	Hz	A/phase
Single Phase	240	50	10

The pre-filter and storage tanks are supplied as part of the ROC system and recommended to optimize RO membrane life and minimize fill times; however, they do not need to be fitted.

Isolating switch must be within 1m of, and not directly behind the machine. Isolating water valve must be readily accessible.

Dimensions

	Machine	Packed
Width (mm)	140	240
Depth (mm)	250	370
Height (mm) **	505	640
Weight (kg)	13	14
Volume (m ³)	0.02	0.06

Water Quality

	Min	Max
pH	7	8
Hardness (ppm)	20	100
Cl-		100
SO ₄		400
Fe		0.1
Mn		0.5
Cu		0.05
Cl ₂		0.1

Refer to operator manual for installation instructions.