

Square Profile Cold Food Display

The ever popular square profile design provides optimal product display and suits modern styling, while LED lighting ensure smaximum product display at all times.



Toughened glass display case



Cold air flows above and below pans



Digital controls for simple operations

FEATURES & BENEFITS

- New square profile display for excellent product display
- Unique blown air design ensures maximum cooling of your products
- The cold air is blown gently from one side of the unit to the other, ensuring a layer of cold air above and on products
- The return air passes the cold air across the bottom of the pans
- Top mounted LED lighting ensures optimal display of products at all times
- Double glazed toughened glass on front and sides with 10mm thick glass top for maximum safety and efficiency
- IP rated waterproof digital controls
- Full sized gastronorm cavity to take choice of pan combinations up to 100mm deep
- Small footprint of 600mm to suit any display area
- Has matching square hot food display design to complete your line-up
- Available in 3 and 4 module units, with 5 and 6 module units in development

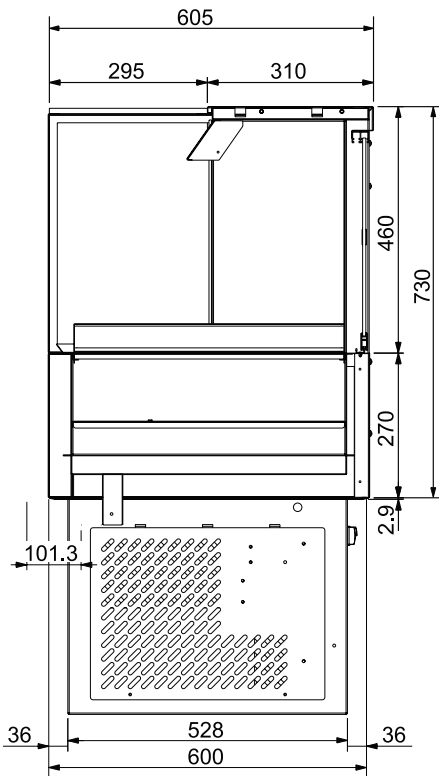


W.CFSQxx

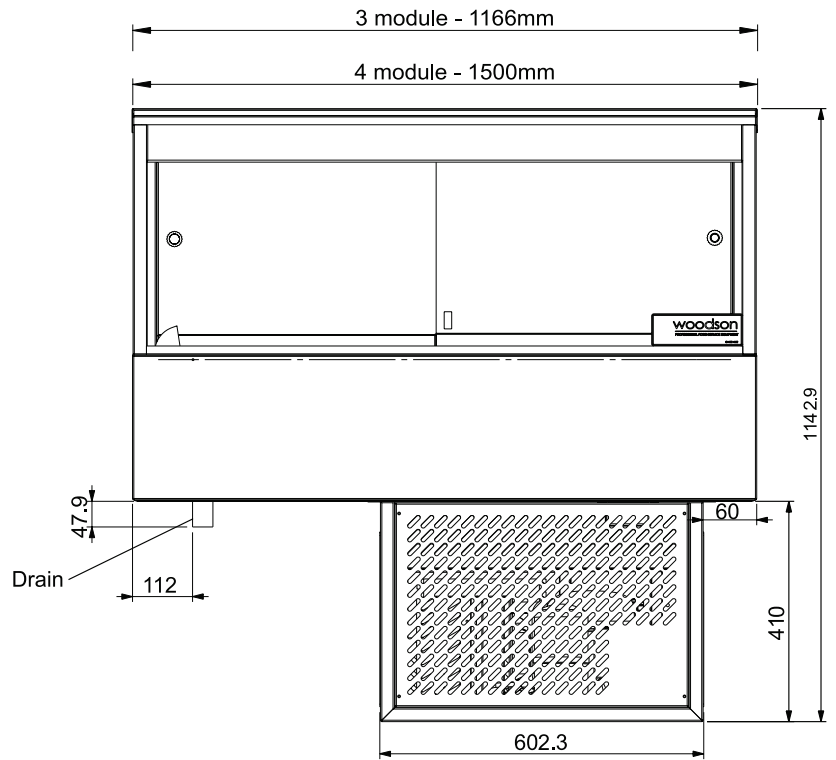


Square Profile Cold Food Display

MODEL	DESCRIPTION	DIMENSIONS(mm) (w x d x h)	POWER
W.CFSQ23	3 module unit with rear sliding glass doors	1166 x 605 x 1142.9	2.4kW - 10 Amp
W.CFSQ24	4 module unit with rear sliding glass doors	1500 x 605 x 1142.9	2.4kW - 10 Amp



Side View



Rear View

Dealer:

We reserve the right to alter specifications of products without notice. All dimensions are in mm.