

SD12
(Frame canopy option)

STANDARD FEATURES

- › Coiled copper refrigeration of base of well
- › Well fully insulated with polyurethane foam
- › Stainless steel well
- › Gastronorm pans not supplied with unit
- › Elegant stainless steel gantry
- › Planar glass canopy as standard
- › Designer overhead **SlimLED** lighting system with 12V safety
- › Refrigeration unit provided as Integral (condenser in cradle)
- › Relies on contact refrigeration: product temperature achieved is dependent on degree of container contact with deck and density of food

CUSTOM FEATURES

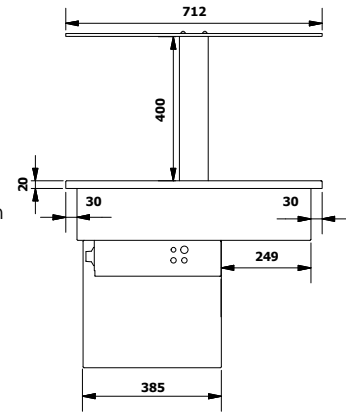
- › Height of well can be 20mm or more
- › Width of well flange can be 50mm or more
- › Length and depth of well can be built to custom dimensions
- › Can be designed to accommodate Gastronorm pans, sushi trays or other containers
- › Sushi trays, powder-coated to colour of choice, are available

For Sneeze-Guard and glass canopy options refer to page 58

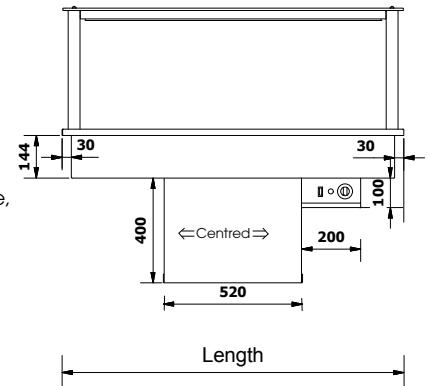
For Factory Options refer to page 60

For Cabinet Accessories refer to page 72

SIDE VIEW



REAR VIEW



SOMERSET: COLD DECK

With its clean lines and high quality finish this Cold Deck offers versatility for a range of food presentations. Whether it be a sushi deck or breakfast bar this Somerset cabinet lets food look great.

Model	SD12	SD15	SD18	SD21
Length	1155mm	1480mm	1805mm	2130mm
Depth	712mm	712mm	712mm	712mm
Well Height	50mm	50mm	50mm	50mm
Canopy height above counter	430mm	430mm	430mm	430mm
Power Connection	10A Plug	10A Plug	10A Plug	10A Plug