



# ADVENTYS



Made in France



Innovative Induction  
Equipment

# The Company: Adventys.

Adventys, based in Burgundy, France, develops, manufactures and markets kitchen equipment with induction technology for hotels, restaurants, and catering businesses.

Our expertise in research & development and our integrated process defines Adventys. Our objective is to give our customers the best induction solution. Thanks to our integrated manufacturing process, we are able to create custom-made products and answer all your requests: specific dimensions, look, design and power.



## Induction:

The Induction Technology is safe and offers more advantages than any other technology. Save energy, time and money, while enjoying more flexibility and precision. Induction is over 95% efficient: boil 3 liters of water in 3 minutes, and 5 liters in 6 minutes with our 6kw three phase generator.

## Innovation:

Adventys' research and development team always works to develop new products and patents. With award winning products & best selling features, we are always working closely with chefs to offer them the best solution.

## International:

Adventys is always expanding its limits. Now available in Europe, Middle East, Asia, Australia, & South America through Brazil. The company obtained UL & NSF approvals in 2015 to develop its business in North America.

## Integration:

Adventys designs, creates, and manufactures all products on site, in Burgundy. With our electronic shop, our metal shop, our R&D department, and our assembly lines, the production is entirely made by us. Our products are 100% Made in France.

## Guarantee:

- Single-phase products are guaranteed for 2 years
- Three-phase products are guaranteed for 3 years
- Custom made are guaranteed for 5 years



# Table of Content

Innovation 2020: Induc-Elegance	P4
Buffet	
Induc-Elegance	P6-9
Induc-Stone	P10-11
Drop In	P12-13
Countertop	P14
Snacking Line	
Countertop	P16-19
Drop In	P20-23
Cooking Line	
Countertop	P25-27
Drop In	P28-31
Heavy Duty Range	P32-37
Stockpot	P38
Custom-made	P40-41
Induc-NoLimit : Multizone Induction	P42
Induction planchas	P43
Induction kits : For Manufacturers	P44
Accessories	P45
Contacts	P47



Jean-Luc PEROT - CEO

Find all our documentation on our website: [www.adventys.com](http://www.adventys.com) and 3D information on Specifi & B.I.M.

Specifi™

**B.I.M**  
Building Information modeling by  
**ADVENTYS**



# Innovation 2020

## The customizable buffet by Adventys



**Induc-Elegance**  
by ADVENTYS

**#BuffetInduction**

Adventys introduces its revolutionary buffet solution: Induc-Elegance. This customizable induction unit with a minimalist look features many technological advanced functions.

**Design:** The different sides & corners create limitless designs combinations to mix & match: black, silver, copper, gold, and the list goes on. Whether pure & simplistic (black on black) or flashy & luxurious (copper or gold), Induc-Elegance is the jewel of the buffet world.

**Quality:** Materials chosen are of the highest quality & fit our top standards of production in Burgundy. This 100% made in France unit is equipped with the same generator than a cooking appliance, in order to guarantee long running hours and tested over 5000 hours.

**Flexibility:** Induc-Elegance works in daisy chain, customers can plug up to 4 products into one plug. The unit is also stackable in order to appeal to caterers who needs to have easy to store & transport units. Furthermore, the black sided units offer the possibility to draw on it; requested by consultants who search for solutions to avoid papers display. It is easy to write, erase, & rewrite indefinitely.

**Uniqueness:** Adding to all above advantages, the true uniqueness of Induc-Elegant is that it is the most eco-friendly & green energy available. All other solutions like fuel, candles, electric options consume more power & give out a lot less heat, and no precision compare to induction technology. With only 300 watts, its consumption is the lowest.

 ADVENTYS



P4-8



Made in France

# BUFFET



# BUFFET

The customizable buffet by Adventys



IE 300 B-S : One zone induction 300W.

- Standard Power : 300 watts.
- Dimension vitro : 390 x 390 mm protected on all 4 sides.
- Capacitive touches control panel and 12 levels of temperature setting.
- Power supply : 230V / 50-60 Hz.
- Possibility to connecting 4 products to each other thanks to the interconnection cables.
- Made in France

- Ref : IE 300 B-B : ADV1832
- IE 300 B-S : ADV1809
- IE 300 C-B : ADV1831
- IE 300 S-S : ADV1810



IE 300 S-S  
Stainless / Stainless steel



IE 300 B-S  
Black / Stainless steel



IE 300 C-B  
Copper / Black

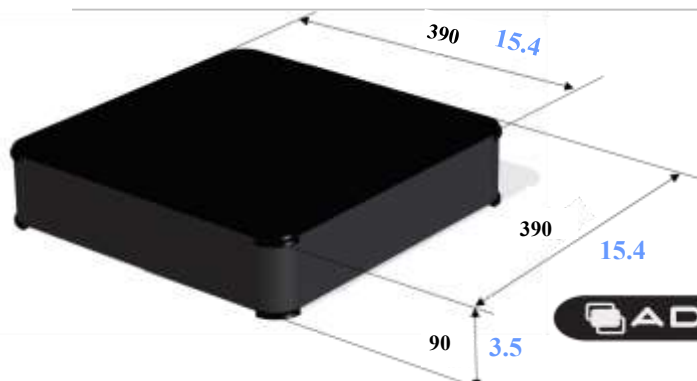


IE 300 B-B  
Black / Black

Easy transport case!  
ideal for caterers:



(see page 45).



millimeters

inches

# BUFFET

The customizable buffet by Adventys

Big enough to fit a large chaffing dish & its foot!

All Black vitroceramic

Customizable Corners: pick a color!

Customizable sides surface: add your logo!

Scrambled Eggs

Stack them: Bumpers protection!

Infinite drawing: write with chalk!



Plug&Play: 4 units wired in daisy chain.

ADVENTYS

Made in France



# BUFFET

The customizable buffet by Adventys

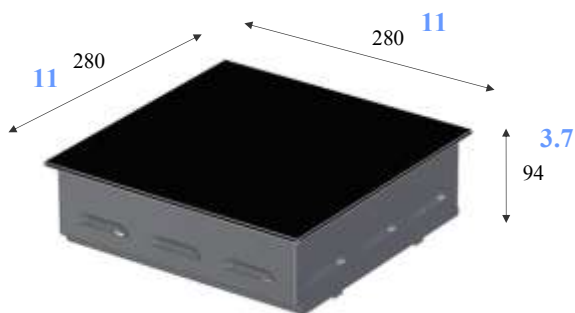
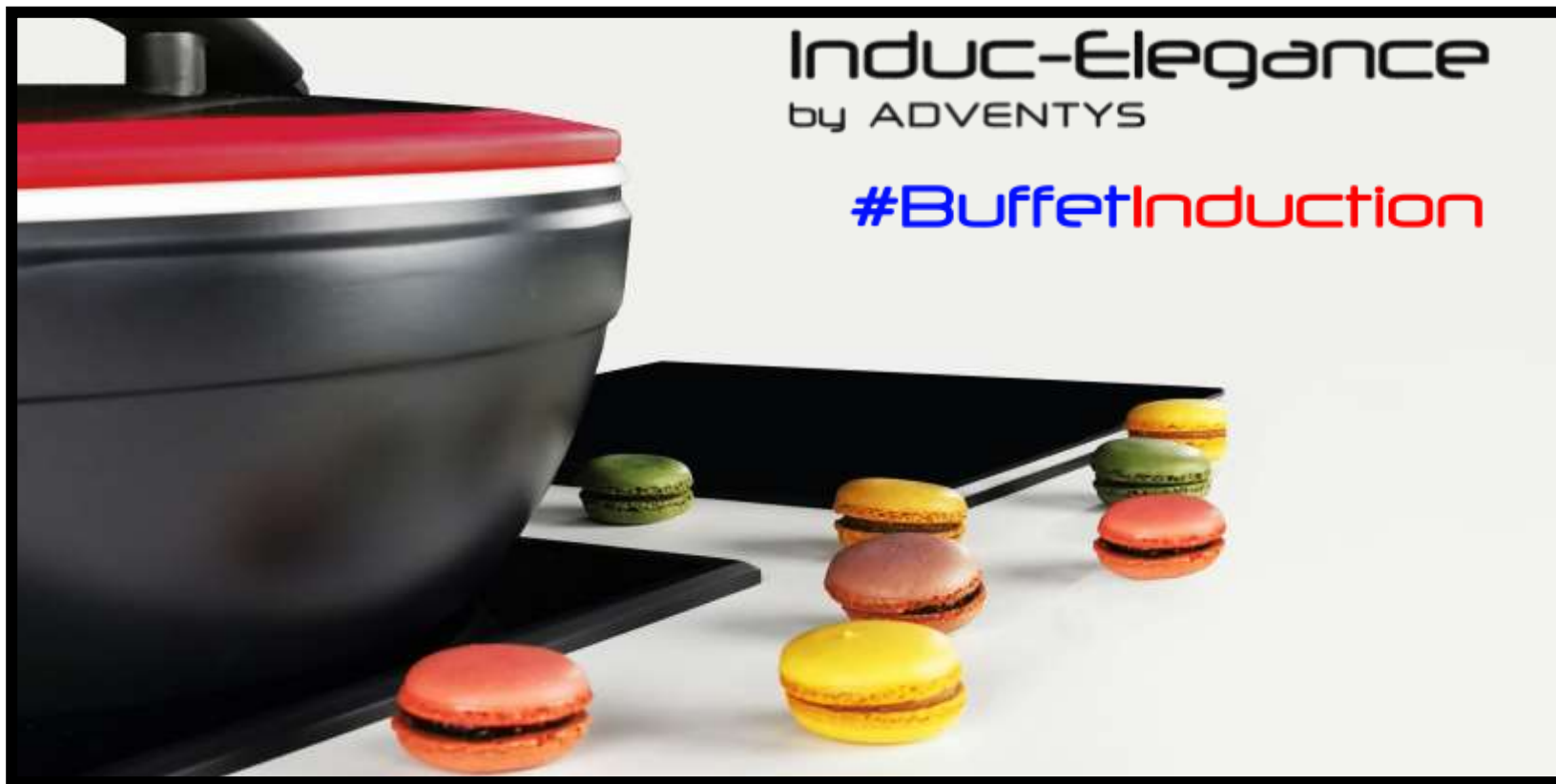


IE 300 F DIR / IE 1000 F-DIR: Induc-Elegance flushed or drop-in version

- Standard Power : 300 or 1000 watts.
- Dimension of vitroceramic: 390 x 390 thickness 4 mm.
- Remote control panel with 3 capacitive touches and 12 power setting (see pge 35).
- Power supply : 230 V - AC 35/70 Hz..
- Option : Interconnections that connect 4 products to each other. Including a power cord and a washable filter.

•Réf : IE 300 FDIR : ADV1816  
IE 1000 FDIR : ADV1835

All Black Vitroceramic  
&  
Black Silicone Frame



*Cut out dimensions for drop-in installation: 270 x 270 mm  
Cut out dimensions for flushed installation: 288 x 288 mm*

*Total surface dimension with silicon seal frame: 300 x 300  
Depth of product: 94 mm*

**ADVENTYS**

millimeters  
inches

Made in France



# BUFFET

Hôtel IBIS Sfax  
Tunisie

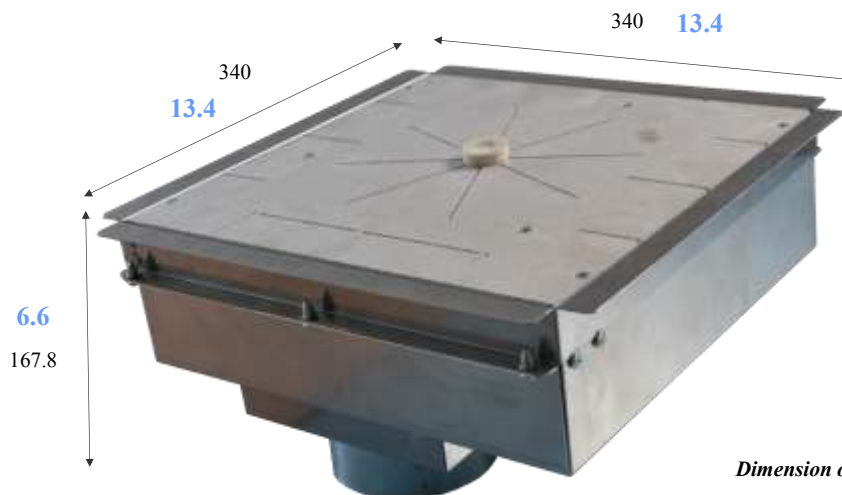


This project was realized by our partner in Tunisia: [Almia](#) a company based in Bizerte. They are specialized in the design, manufacturing and distribution of kitchen and buffet solution.

# BUFFET

The UnderCounter by Adventys

**Induc-Stone**  
by ADVENTYS



*Dimension of pan : min 30 cm (bottom)*

INDUC-STONE.

- Standard Power: 650 Watts.
- Power available: Under Counter unit is only available in 650 watts for a recommended installation of 2cm thickness of Granite - other stone possible: please check with Adventys before installation.
- Power supply: 230V - AC 50/60 Hz (120V available)
- Standards: complies with European Standards for safety of electrical appliances for EMC and for Rohs & with Intertek NSF & UL standards.
- Details and options: including a power cord and a washable filter.
- Réf : ADV1587

*Cut out dimensions control panel: 48 x 163 mm\**

\* Evolution of the control panel in 2020

**ADVENTYS**



millimeters  
inches





This project was realized by our partner in the USA: [Equipex](#). A company based in Providence, RI. They are specialized in the manufacturing and distribution of kitchen and buffet solution.

**#InvisibleInduction**

# BUFFET

## The Buffet line by Adventys



GL 650 DI : Drop in buffet with controls on top of the vitroceramic.

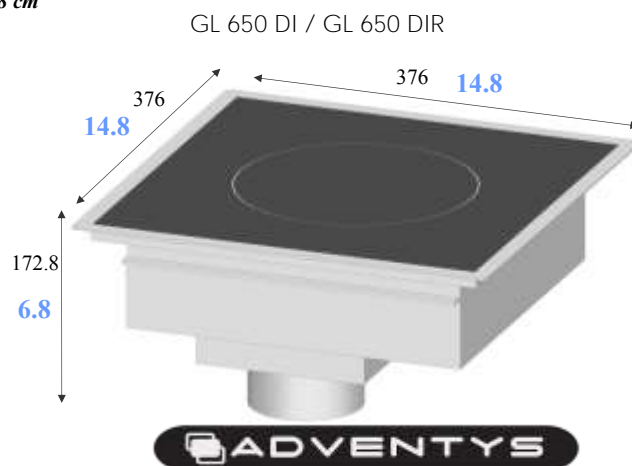
GL 650 DIR : Drop in buffet with remote controls.

\*Evolution of the control panel in 2020

GL 650 DI / GL 650 DIR.

- Standard Power : 650 watts. Possibility to go from 400 watts up to 2200 watts (available at extra cost).
  - Stainless steel casing with chamfered edges & vitroceramic glass.
  - Capacitive touches control panel (remote or not) - On/Off, timer, manual temperature setting (+/-) with 2 digits display (works for both timer and power).
  - Power supply: 230V - AC 50/60 Hz (120V available)
  - Standards: complies with European Standards for safety of electrical appliances for EMC and for Rohs & with Intertek NSF & UL standards.
  - For more power, please refer to products page 18.
  - Details and options: including a power cord and a washable filter. Those models are available in a flushed version, without the stainless frame.
- Ref :           GL 650 DI :       ADV1637  
                  GL 650 DIR :     ADV1638

**Dimension of pan : min 16 cm / max 28 cm**



Cut out dimensions: 352 x 352 mm  
Cut out dimensions control panel: 48 x 163 mm\*

millimeters  
inches

Made in France



# BUFFET

## Flushed version



GL 650 FL : Integrate buffet with controls on top of the vitroceramic.

GL 650 FLR : Integrate buffet with remote controls.

\*Evolution of the control panel in 2020

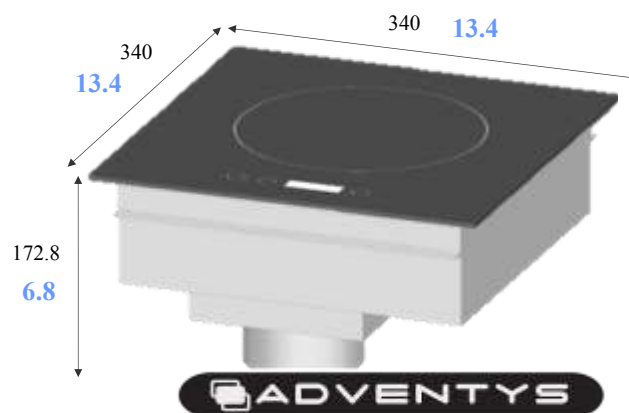
### GL 650 FL / GL 650 FLR

- Standard Power : 650 watts. Possibility to go from 400 watts up to 2200 watts (available at extra cost).
- Stainless steel and vitroceramic glass.
- Capacitive touches control panel (remote or not) - On/Off, timer, manual temperature setting (+/-) with 2 digits display (works for both timer and power).
- Power supply: 230V - AC 50/60 Hz (120V available)
- Standards: complies with European Standards for safety of electrical appliances for EMC and for Rohs & with Intertek NSF & UL standards.
- For more power, please refer to products page 19.
- Details and options: including a power cord and a washable filter. Those models are available in a flushed version, without the stainless frame.

- Ref : GL 650 FL : ADV1494  
GL 650 FLR : ADV1552

**Dimension of pan : min 16 cm / max 28 cm**

GL 650 FL / GL 650 FLR



*Cut out dimensions: 346 x 346 mm  
Cut out dimensions control panel: 48 x 163 mm\**

millimeters  
inches

ADVENTYS



Made in France

# BUFFET

Counter top buffet line by Adventys  
Small & light countertops, minimalist design for beautiful buffet setting.



ARIC 2200.

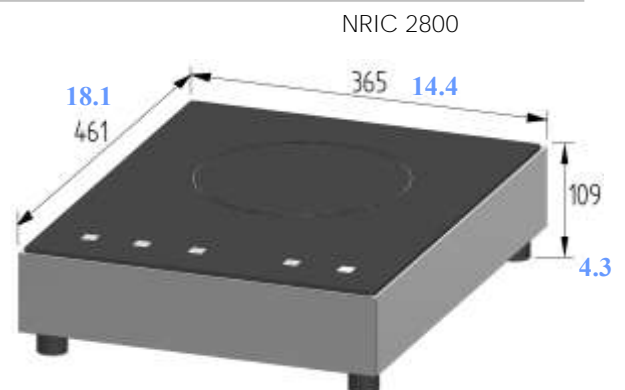
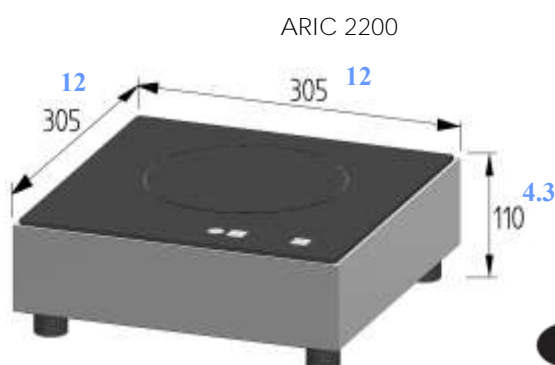
- Standard Power: 2200 watts.
- Stainless steel casing with vitroceramic glass.
- Capacitive touches control panel - On/Off, manual power setting (+/-) with a 1 digit display.
- Power supply: 230V - AC 50/60 Hz.
- Standards: complies with European Standards for safety of electrical appliances for EMC and for Rohs.
- Details and options: including a power cord and a washable filter.
- Réf : ARIC 2200 : ADV1815



NRIC 2800.

- Standard Power: 2800 watts.
- Stainless steel casing with vitroceramic glass;
- Capacitive touches control panel - On/Off, manual power setting (+/-) with 2 digits display, timer control with 2 digits display, 3 presets for power levels: 6 - 10 - 12.
- Power supply: 230V - AC 50/60 Hz.
- Standards: complies with European Standards for safety of electrical appliances for EMC and for Rohs.
- Details and options: including a power cord and a washable filter.
- Réf : NRIC 2800 : ADV1817

*Dimension of pan : mini 16 cm / max 28 cm*



millimeters

inches



# Geoline

SNACKING, BUFFET, & COOKING

« The Adventys GLN1500 Pastry is a vital part of equipment in the Puratos innovation centre - small, compact, portable and easy to use! It is very quick to boil water but can be precise enough to melt chocolate without a bain-marie, which really surprised me. I can't speak highly enough of the GLN1500 Pastry and the huge impact it has made in the Puratos innovation centre and on a personal level in the way I work. »

Corey King, Technical Advisor, Puratos  
Australia - New Zealand  
Sydney, New South Wales  
Official distributor [Phoeniks](#)

# GEOLINE

## SNACKING LINE 2020 by ADVENTYS

Time

Price

Mobility

### What is « Snacking »?

Snacking is a fast and nomad way of alimentation.  
The aim is to make the client gain time providing him easy take away food at a competitive price.

### Why choose our range of Snacking equipment?

Each year the share of meals outside the home increases and the time spent eating decreases. That's why professionals of the sector must follow the trend by investing in snacking equipments.



#### GLN 1500 Pastry.

The Adventys GLN 1500 Pastry is small, compact, portable and easy to use.  
Perfect for pastry chef!

- Standard Power: 1500, 2500, 3000 or 3500 watts.
- Stainless steel casing with vitroceramic glass.
- Capacitive touches control panel - On/Off, manual power or temperature setting (+/-) and timer control with 2 digits display (works for both timer and power).
- Power supply: 230V- AC 50/60 Hz.
- Standards: complies with European Standards for safety of electrical appliances for EMC and for Rohs.
- Details and options: including a power cord and a washable filter.
- Réf : GLN 1500 : ADV1722



#### GLN 2500 / GLN 3000 / GLN 3500.

- Standard Power: 1500, 2500, 3000 or 3500 watts.
- Stainless steel casing with vitroceramic glass.
- Capacitive touches control panel - On/Off, manual power or temperature setting (+/-) and timer control with 2 digits display (works for both timer and power).
- Power supply: 230V- AC 50/60 Hz.
- Standards: complies with European Standards for safety of electrical appliances for EMC and for Rohs.
- Details and options: including a power cord and a washable filter.
- Réf : GLN 2500 : ADV1716  
GLN 3000 : ADV1717  
GLN 3500 : ADV1702





# GEOLINE

## SNACKING LINE 2020 by ADVENTYS



GLN2 3000 S / 3500 S.

- Standard Power: 3000 watts.
- Stainless steel casing with vitroceramic glass.
- Capacitive touches control panel - On/Off, manual power or temperature setting (+/-) and timer control with 2 digits display (works for both timer and power).
- Power supply: 230V- AC 50/60 Hz.
- Standards: complies with European Standards for safety of electrical appliances for EMC and for Rohs.
- Details and options: including a power cord and a washable filter.

•Réf : GLN2 3000 S : ADV1718  
GLN2 3500 S : ADV1720



GLN2 3000 F / 3500 F.

- Standard Power: 3000 watts.
- Stainless steel casing with vitroceramic glass.
- Capacitive touches control panel - On/Off, manual power or temperature setting (+/-) and timer control with 2 digits display (works for both timer and power).
- Power supply: 230V- AC 50/60 Hz.
- Standards: complies with European Standards for safety of electrical appliances for EMC and for Rohs.
- Details and options: including a power cord and a washable filter.

•Réf : GLN2 3000 F : ADV1719  
GLN2 3500 F : ADV1721

*Dimension of pan : min 16 cm / max 28 cm*

GLN 1500 Pastry / GLN 2500 /  
GLN 3000 / GLN 3500

GLN2 3000 S / 3500 S

GLN2 3000 F / 3500 F



millimeters  
inches

# GEOLINE



GL2 5000 S / GL2 6000 S / GL2 7000 S.

- Standard Power: 5000, 6000 and 7000 watts.
  - Stainless steel casing with vitroceramic glass.
  - Capacitive touches control panel (x2) - On/Off, right-left zone, timer control, manual power setting (+/-) with 2 digits display (works for both timer and power).
  - Power supply: 230V - AC 50/60 Hz.
  - Standards: complies with European Standards for safety of electrical appliances for EMC and for Rohs & with Intertek NSF & UL standards.
  - Details and options: including power cord and a washable filter.
- Réf : GL2 5000 S: ADV1619  
GL2 6000 S: ADV1551  
GL2 7000 S: ADV1754



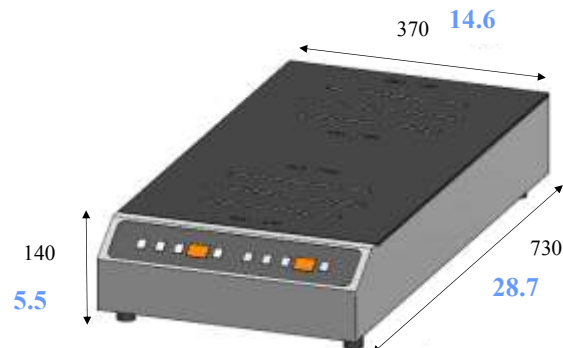
GL2 5000 F / GL2 6000 F / GL2 7000 F.

- Standard Power: 5000, 6000 and 7000 watts.
  - Stainless steel casing with vitroceramic glass.
  - Capacitive touches control panel - On/Off, front-back zone, timer control, manual power setting (+/-) with 2 digits display (works for both timer and power).
  - Power supply: 208-240V - AC 50/60 Hz.
  - Standards: complies with European Standards for safety of electrical appliances for EMC and for Rohs & with Intertek NSF & UL standards.
  - Details and options: including a power cord and a washable filter.
- Réf : GL2 5000 F: ADV1620  
GL2 6000 F: ADV1594  
GL2 7000 F: ADV1755

**Dimension of pan : min 16 cm / max 28 cm**

GL2 5000 S / GL2 6000 S / GL2 7000 S

GL2 5000 F / GL2 6000 F / GL2 7000 F



Made in France

millimeters  
inches

# GEOLINE

## INDUCTION GRIDDLE



*Large Cooking Zone*  
688 x 384 mm / 27.09 x 15.12 inches

GLP 6000.

- Standard Power: 6000 watts.
- Stainless steel casing with a grill surface in a multi layer composite material.
- Temperature going from 60° to 250° Celsius degrees (140° to 482° Fahrenheit degrees).
- Capacitive touches control panel (x2) - On/Off, manual temperature setting (+/-) with 4 digits display.
- Power supply:  
GLP 6000 : 230V - AC 50/60 Hz.  
GLP 8000 : 400V - AC 50/60 Hz three-phase.
- Standards: complies with European Standards for safety of electrical appliances for EMC and for Rohs.
- Details and options: including a power cord (single phase) without plug and a washable filter. Spatula included upon request.
- Réf : GLP 6000 : ADV1557

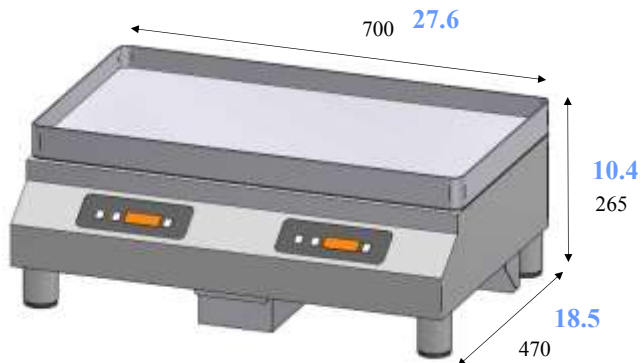


GLW 3000 / GLW 3500.

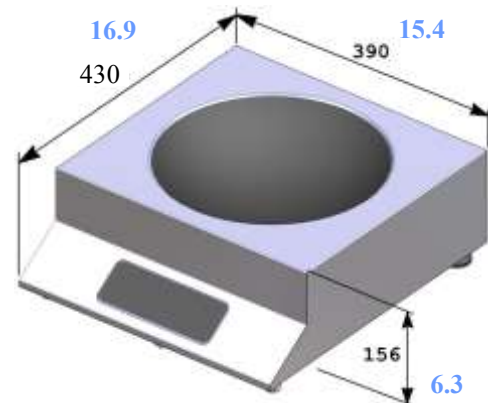
- Standard Power: 3000 and 3500 watts.
- Stainless steel casing with wok bowl vitroc ceramic glass.
- Capacitive touches control panel - On/Off, manual power setting (+/-) and timer control with 2 digits display (works for both timer and power).
- Power supply: 230V - AC 50/60 Hz.
- Standards: complies with European Standards for safety of electrical appliances for EMC and for Rohs & with Intertek NSF & UL standards.
- Details and options: a power cord, a washable filter and a wok pan included with unit.
- Réf : GLW 3000 : ADV1676  
GLW 3500 : ADV1610

**Free Wok Pan**

GLP 6000/ GLP 8000



GLW 3000 / GLW 3500



**ADVENTYS**



millimeters  
inches

# GEOLINE

## The drop-in by Adventys



GL 3000 DI : Drop in with controls on top of the vitroceramic



GL 3000 DIR : Drop in with remote controls.

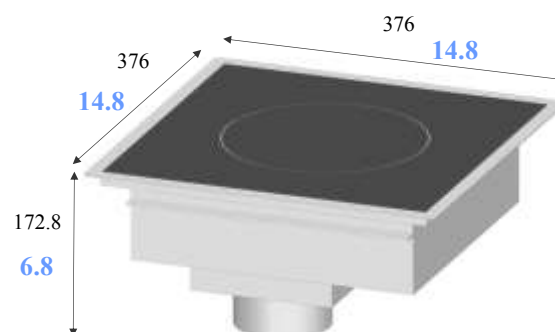
GL 3000 DI / GL 3000 DIR.

- Standard Power : 3000 Watts.
- Stainless steel casing with chamfered edges & vitroceramic glass.
- Capacitive touches control panel (remote or not) - On/Off, timer, power setting (+/-) with 2 digits display (works for both timer and power).
- Power supply: 230V - AC 50/60 Hz
- Standards: complies with European Standards for safety of electrical appliances for EMC and for Rohs & with Intertek NSF & UL standards.
- Details and options: including a power cord and a washable filter.
- Réf : GL 3000 DI : ADV1546  
GL 3000 DIR : ADV1628



**Dimension of pan : min 16 cm / max 28 cm**

GL 3000 DI / GL 3000 DIR



*Cut out dimensions: 352 x 352 mm*  
*Cut out dimensions control panel: 48 x 163 mm\**

\*Evolution of the control panel in 2020

**ADVENTYS**



millimeters  
inches



# GEOLINE

## Flushed version



GL 3000 FL : Integrate induction with controls on top of the vitroceramic



GL 3000 FLR : Integrate induction with remote controls.

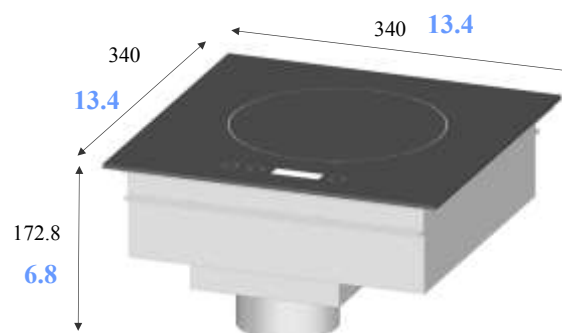
GL 3000 FL / GL 3000 FLR.



- Standard Power : 3000 Watts.
  - Stainless steel casing with chamfered edges & vitroceramic glass.
  - Capacitive touches control panel (remote or not) - On/Off, timer, power setting (+/-) with 2 digits display (works for both timer and power).
  - Power supply: 230V - AC 50/60 Hz
  - Standards: complies with European Standards for safety of electrical appliances for EMC and for Rohs & with Intertek NSF & UL standards.
  - Details and options: including a power cord and a washable filter.
- Réf : GL 3000 FL : ADV1549  
GL 3000 FLR : ADV1548

**Dimension of pan : min 16 cm / max 28 cm**

GL 3000 FL / GL 3000 FLR



*Cut out dimensions: 346 x 346 mm*  
*Cut out dimensions control panel: 48 x 163 mm\**

\*Evolution of the control panel in 2020

**ADVENTYS**



millimeters  
inches

# GEOLINE

## Two zones flushed induction



GL2 3000 FLR / GL2 5000 FLR / GL2 6000 FLR / GL2 7000 FLR

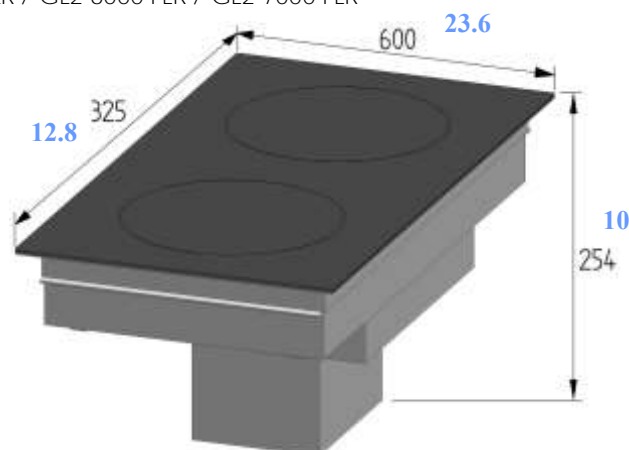
- Standard Power : 3000 Watts.
- Stainless steel casing vitroceramic glass.
- Capacitive touches control panel (remote or not) - On/Off, timer, power setting (+/-) with 2 digits display (works for both timer and power).
- Power supply: 230V - AC 50/60 Hz
- Standards: complies with European Standards for safety of electrical appliances for EMC and for Rohs & with Intertek NSF & UL standards.
- Details and options: including a power cord and a washable filter. Those models are available with the stainless frame.

• Réf : GL2 6000 FLR capacitive touches: ADV1558  
 GL2 6000 FLR knob: ADV1559

Available 3000, 5000 and 7000 watts version.

**Dimension of pan : min 16 cm / max 28 cm**

GL2 3000 FLR / GL2 5000 FLR / GL2 6000 FLR / GL2 7000 FLR



Cut out dimensions: 410 x 550 mm  
 Cut out dimensions control panel: 370 x 72 mm

**ADVENTYS**



Made in France

millimeters  
 inches

# GEOLINE

Two **z**ones drop-in induction



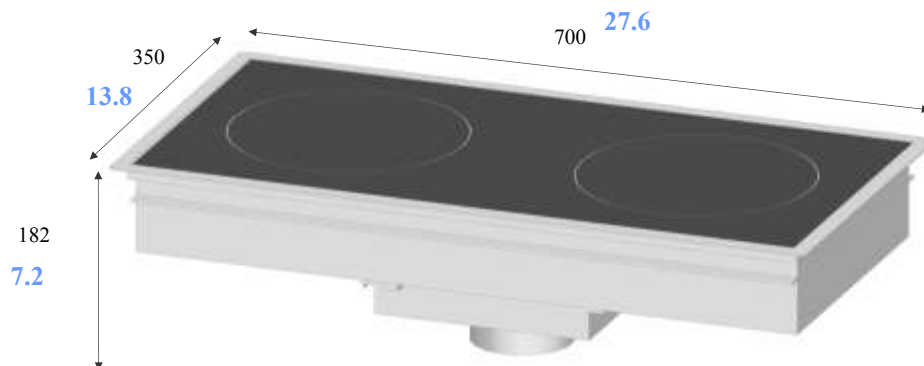
GL2 3000 DIR / GL2 5000 DIR / GL2 6000 DIR / GL2 7000 DIR.

- Standard Power : 3000, 5000 or 6000 watts.
  - Capacitive touches control panel (push button) - On/Off, timer control, power setting (+/-) with 2 digits display.
  - Power supply: 230V - AC 50/60 Hz
  - Standards: complies with European Standards for safety of electrical appliances for EMC and for Rohs & with Intertek NSF & UL standards.
  - Details and options: including a power cord and a washable filter. Can be installed in front-to-back or side by side.
- Same dimensions as market's standards.**

•Réf :	GL2 3000 DIR :	ADV1621
	GL2 5000 DIR :	ADV1622
	GL2 6000 DIR :	ADV1623
	GL2 7000 DIR :	ADV1756

**Dimension of pan : min 16 cm / max 28 cm**

GL2 3000 DIR / GL2 5000 DIR / GL2 6000 DIR / GL2 7000 DIR



*Cut out dimensions: 410 x 550 mm*  
*Cut out dimensions control panel: 302 x 60 mm*

**ADVENTYS**



Made in France

millimeters  
inches



# ADVENTYS TECHNOLOGY

**BIOLINE:** *Versatility, performance, precision ...*

Display & control of power—by levels or watts.  
or  
Display & control by temperature settings in degrees °C or °F.

Test the quality of your pan

Control the instantant temperature of the pan.



# BIOLINE

## Heavy duty cooking line by ADVENTYS



BRIC 3000 & BRIC 3600.

- Standard Power: 3000 and 3600 watts.
- Stainless steel casing with vitroceramic glass.
- Capacitive touches control panel - On/Off  
Power level or Watt level with 4 digits display.  
Temperature setting in C° or F° (+/-) with 4 digits display.  
2 presets  
Timer control with 2 digits display.  
Possibility to lock the keyboard.  
Quality pan control.
- Power supply: 230V- AC 50/60 Hz.
- Standards: complies with European Standards for safety of electrical appliances for EMC, for Rohs and SGS as well as with Intertek NSF & UL standards.

•Details and options: including a power cord

and a washable

filter.  
Réf : BRIC 3000 : ADV1476  
BRIC 3600 : ADV1475



[Drop in version page: 26](#)



B2RIC 3000 & B2RIC 3600.

- Standard Power: 3000 and 3600 watts.
- 2 small zones or one large zone.
- Stainless steel casing with vitroceramic glass.
- Capacitive touches control panel - On/Off, manual power setting (+/-) with 2 digits display for each zone.
- Power supply: 230V- AC 50/60 Hz.
- Details and options: including a power cord and a washable filter.

Réf : B2RIC 3000 : ADV1740  
B2RIC 3600 : ADV1741

*Dimension of pan : min 22 cm (bottom)*

BRIC 3000 / BRIC 3600

B2RIC 3000 / B2RIC 3600



Made in France

millimeters

inches

# BIOLINE

## Heavy duty cooking line by ADVENTYS



BWIC 3000 / BWIC 3600.

- Standard Power: 3000 and 3600 watts.
- Stainless steel casing with wok bowl vitroceramic glass.
- Capacitive touches control panel - On/Off, power level setting (+/-) with 2 digits display, 3 presets, timer control with 2 digits display.
- Power supply: 230V- AC 50/60 Hz.
- Standards: complies with European Standards for safety of electrical appliances for EMC and for Rohs & with Intertek NSF & UL standards.
- Details and options: including a power cord, a washable filter and a wok pan.

•Réf : BWIC 3000 : ADV1607  
 BWIC 3600 : ADV1606

**Free Wok Pan**

## INDUCTION GRIDDLE



BGIC 3000 / BGIC 3600.

- Standard Power: 3000 and 3600 watts.
- Stainless steel casing with a grill surface in a multi layer composite material.
- Capacitive touches control panel - On/Off, manual temperature setting (+/-) with 4 digits display & 3 presets programmable.
- Power supply: 230V- AC 50/60 Hz.
- Standards: complies with European Standards for safety of electrical appliances for EMC and for Rohs.
- Details and options: including a power cord and a washable filter. Spatula available upon request.

•Réf : BGIC 3000 : ADV1339  
 BGIC 3600 : ADV1360

BWIC 3000 / BWIC 3600



BGIC 3000 / BGIC 3600



millimeters  
inches





# BIOLINE

## Three Phases

BTIC 6000.



- Standard Power: 6000 watts.
  - Stainless steel casing with vitroceramic glass.
  - Capacitive touches control panel - On/Off, manual power setting (+/-) with 2 digits display, 3 presets, timer control with 2 digits display.
  - Power supply: 400V - AC 50/60 Hz.
  - Standards: complies with European Standards for safety of electrical appliances for EMC and for Rohs.
  - Details and options: including a power cord and a washable filter.
- Réf : BTIC 6000 : ADV1129

BTWIC 7000.



- Standard Power: 4000, 6000 and 7000 watts.
  - Stainless steel casing with wok vitroceramic glass.
  - Capacitive touches control panel - On/Off, manual power setting (+/-) with 2 digits display, 3 presets, timer control with 2 digits display.
  - Power supply: 400V - AC 50/60 Hz.
  - Standards: complies with European Standards for safety of electrical appliances for EMC and for Rohs.
  - Details and options: including a power cord, a washable filter and a wok pan.
- Réf : BTWIC 7000 : ADV1483

Free Wok Pan

Dimension of pan : min 16 cm / max 28 cm  
BTIC 6000

BTWIC 4000 / BTWIC 6000 / BTWIC 7000



ADVENTYS

millimeters  
inches

Made in France

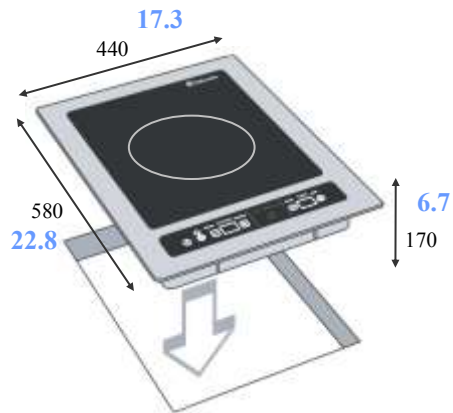
# BIOLINE DROP IN

DRIC 3000 / DRIC 3600.



- Standard Power: 3000 and 3600 watts.
- Stainless steel casing with chamfered edges & vitroceramic glass.
- Capacitive touches control panel - On/Off  
Power level or Watt level with 4 digits display.  
Temperature setting in C° or F° (+/-) with 4 digits display.  
2 presets  
Timer control with 2 digits display.  
Possibility to lock the keyboard.  
Quality pan control.
- Power supply: 230V- AC 50/60 Hz.
- Standards: complies with European Standards for safety of electrical appliances for EMC, for Rohs and SGS as well as with Intertek NSF & UL standards.
- Details and options: including 1m60 (5 ft 3 inches) power cord and a washable filter (wash regularly).
- Details : DRIC 3000 : ADV1478  
DRIC 3600 : ADV1471

*Dimension of pan : min 16 cm / max 28 cm*



millimeters  
inches

*Cut out dimensions: 410 x 550 mm*



Intertek UL 197 Intertek NSF-2



# BIOLINE DROP IN



D2RIC 3000 / D2RIC 3600.

- Standard Power: 3000 and 3600 watts.
- Stainless steel casing with chamfered edges and vitroc ceramic glass.
- 2 small zones or one large zone.
- Capacitive touches control panel - On/Off, manual power setting (+/-) with 2 digits display for each zone.
- Power supply: 230V- AC 50/60 Hz.
- Standards: complies with European Standards for safety of electrical appliances for EMC and for Rohs.
- Details and options: including a power cord and a washable filter.

•Réf : D2RIC 3000 : ADV1742  
D2RIC 3600 : ADV1743



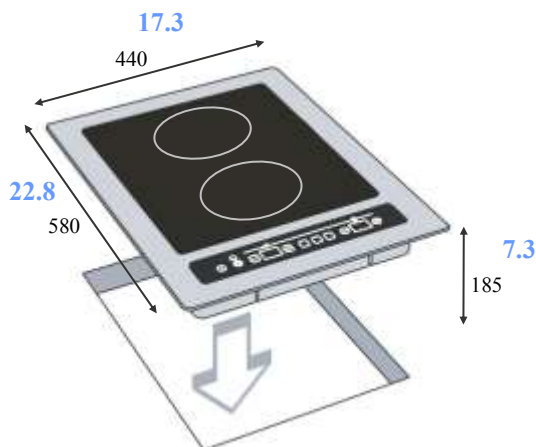
D2IC 6000 / D2IM 6000.

- Standard Power: 6000 watts.
- Stainless steel casing with chamfered edges and vitroc ceramic glass.
- Capacitive touches control panel - On/Off, manual power setting (+/-) with 2 digits display for each zone.
- Knobs control - Two 360° knobs with led light.
- Power supply: 230V - AC 50/60 Hz.
- Standards: complies with European Standards for safety of electrical appliances for EMC and for Rohs.
- Details and options: including a power cord and a washable filter.

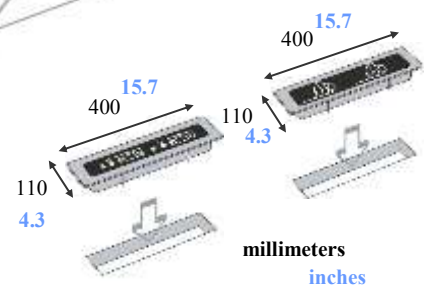
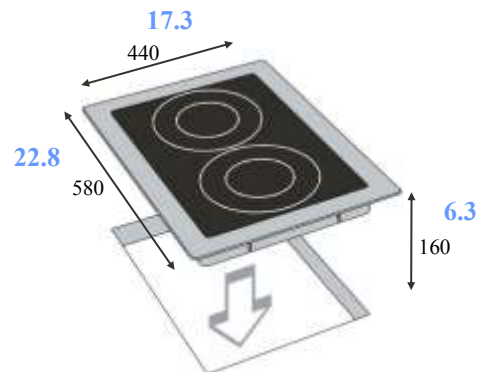
•Réf : D2IC 6000 : ADV1527  
D2IM 6000 : ADV1537

**Dimension of pan : min 16 cm per zone and 34 cm on both zone**

D2RIC 3000 / D2RIC 36000



D2IC 6000 / D2IM 6000



*Cut out dimensions: 410 x 550 mm*  
*Cut out dimensions control panel: 370 x 72 mm*



Made in France

millimeters  
inches



# BIOLINE DROP IN



DWIC 3000 / DWIC 3600.

- Standard Power: 3000 and 3600 watts.
- Stainless steel casing with chamfered edges & with wok bowl vitroc ceramic glass.
- Capacitive touches control panel - On/Off, power level setting (+/-) with 2 digits display, 3 presets, timer control with 2 digits display.
- Power supply: 230V- AC 50/60 Hz.
- Standards: complies with European Standards for safety of electrical appliances for EMC and for Rohs & with Intertek NSF & UL standards.
- Details and options: including a power cord, a washable filter and a wok pan.

• Réf : DWIC 3000 : ADV1609  
 DWIC 3600 : ADV1608

**Free Wok Pan**



## INDUCTION GRIDDLE



DGIC 3000 / DGIC 3600.

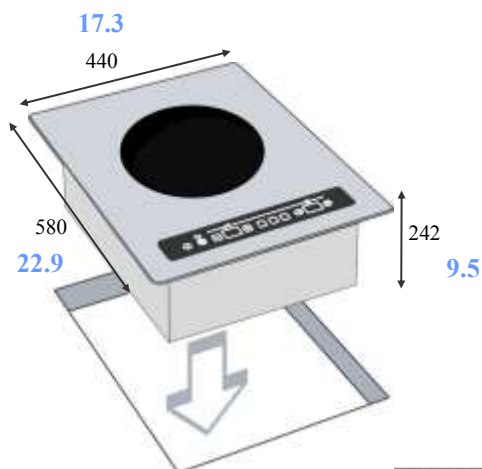
- Standard Power: 3000 and 3600 watts.
- Stainless steel casing with chamfered edges and a grill surface in a multi layer composite.
- Capacitive touches control panel - On/Off, manual temperature setting (+/-) with 4 digits display & 3 presets programmable.
- Power supply: 230V- AC 50/60 Hz.
- Standards: complies with European Standards for safety of electrical appliances for EMC and for Rohs.
- Details and options: including a power cord and a washable filter. Spatula available upon request.

• New : drain

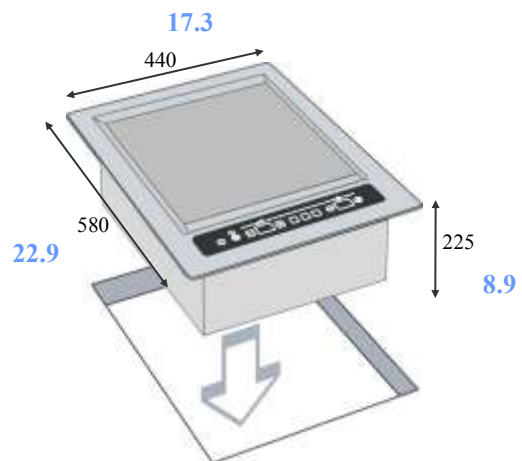
• Réf : DGIC 3000 : ADV1408  
 DGIC 3600 : ADV1349

**NEW**

DWIC 3000 / DWIC 3600



DGIC 3000 / DGIC 3600



Cut out dimensions: 410 x 550 mm



millimeters

inches



# BIOLINE DROP IN

## Three Phases



DTIC 6000.

- Standard Power: 6000 watts.
  - Stainless steel casing with chamfered edges & with vitroceramic glass.
  - Capacitive touches control panel - On/Off, manual power setting (+/-) with 2 digits display, 3 presets, timer control with 2 digits display.
  - Power supply: 400V - AC 50/60 Hz.
  - Standards: complies with European Standards for safety of electrical appliances for EMC and for Rohs.
  - Details and options: including a power cord and a washable filter.
- Réf : DTIC 6000 : ADV1369



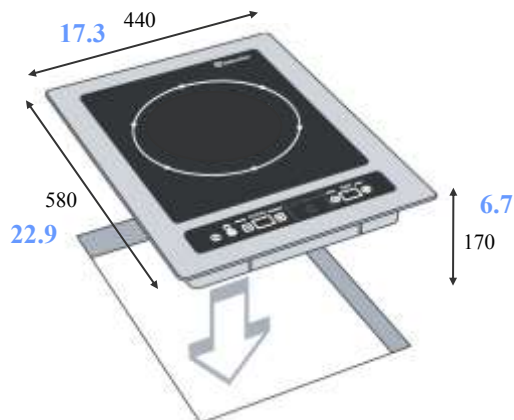
DTWIC 7000.

- Standard Power: 7000 watts.
  - Stainless steel casing with chamfered edges & with wok vitroceramic glass.
  - Capacitive touches control panel - On/Off, manual power setting (+/-) with 2 digits display, 3 presets, timer control with 2 digits display.
  - Power supply: 400V - AC 50/60 Hz.
  - Standards: complies with European Standards for safety of electrical appliances for EMC and for Rohs.
  - Details and options: including a power cord, a washable filter and a wok pan.
- Réf : DTWIC 7000 : ADV1438

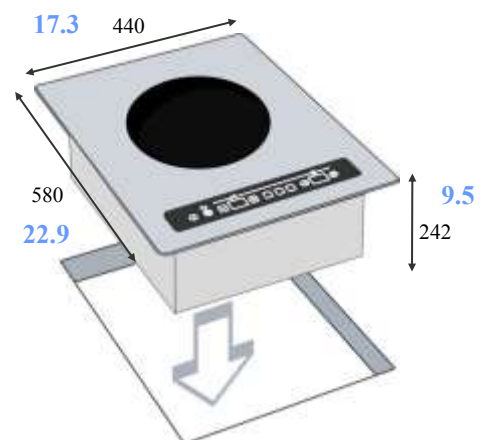
**Free Wok Pan**

**Dimension of pan : min 22 cm**

DTIC 6000



DTWIC 7000



*Cut out dimensions: 410 x 550 mm*



millimeters

inches



# HEAVY DUTY

## THREE-PHASES MODULAR



MO2I 8000.

- Standard Power: 8000 watts.
- Two cooking zones induction.
- Stainless steel casing with vitroc ceramic glass 6mm thickness.
- 360° Knob controls with 4 digits power display for each zone.
- Power supply: 400V - AC 50/60 Hz.
- Standards: complies with European Standards for safety of electrical appliances for EMC and for Rohs
- Option: including washable filters. Power cord available upon request.
- Réf : ADV1656

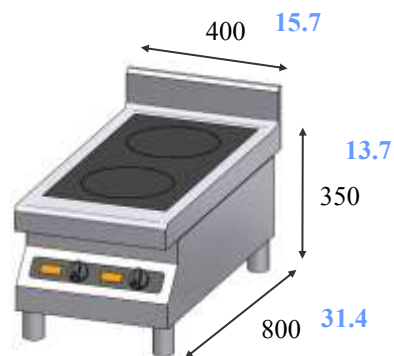


MO2I 12000.

- Standard Power: 12000 watts.
- Two cooking zones induction.
- Stainless steel casing with vitroc ceramic glass 6mm thickness.
- 360° Knob controls with 4 digits power display for each zone.
- Power supply: 400V - AC 50/60 Hz.
- Standards: complies with European Standards for safety of electrical appliances for EMC and for Rohs
- Option: including washable filters. Power cord available upon request.
- Réf : ADV1657

*Dimension of pan : min 16 cm / max 40 cm*

MO2I 8000



 **ADVENTYS**



Made in France

millimeters  
inches

# HEAVY DUTY

## THREE-PHASES MODULAR



### MO4I 16000.

- Standard Power: 16000 watts.
  - Four cooking zones induction.
  - Stainless steel casing with vitroceramic glass 6mm thickness..
  - 360° Knob controls with 4 digits power display for each zone.
  - Power supply: 400V - AC 50/60 Hz.
  - Standards: complies with European Standards for safety of electrical appliances for EMC and for Rohs
  - Option: including washable filters. Power cord available upon request.
- Réf : MO4I 16000 : ADV1658

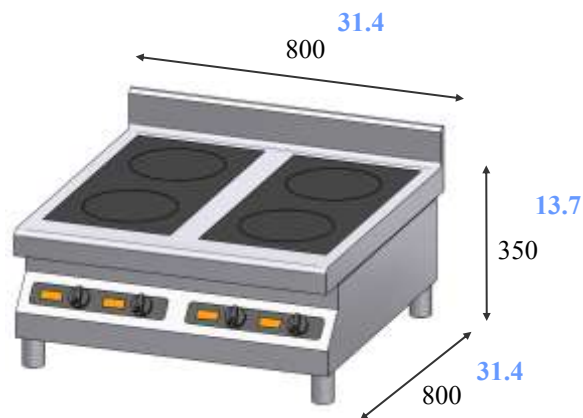


### MO4I 24000.

- Standard Power: 24000 watts.
  - Four cooking zones induction.
  - Stainless steel casing with vitroceramic glass 6mm thickness..
  - 360° Knob controls with 4 digits power display for each zone.
  - Power supply: 400V - AC 50/60 Hz.
  - Standards: complies with European Standards for safety of electrical appliances for EMC and for Rohs
  - Option: including washable filters. Power cord available upon request.
- Réf : MO4I 24000 : ADV1659

*Dimension of pan : min 16 cm / max 40 cm*

MO4I 16000 / MO4I 20000 / MO4I 24000



**ADVENTYS**



Made in France

millimeters

inches 33



# Induc-NoLimit

by ADVENTYS

## THREE-PHASES Free-Zone Modular



\*non-contractual image

MO2NL : Free-zone induction modular version.

- Standard Power: 8000 and 16.000 watts.
  - 8 inductors covering the entire vitroceramic surface.
  - Stainless steel casing with vitroceramic glass 6mm thickness.
  - Capacitive touches control panel and incremental encoder.
  - Power supply: 400V - AC 50/60 Hz.
  - Standards: complies with European Standards for safety of electrical appliances for EMC and for Rohs
- Réf : MO2NL 8000 : ADV1833  
MO2NL 16000 : ADV1758



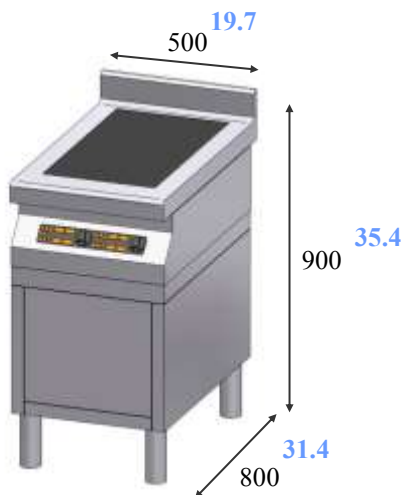
MO4NL : Free-zone induction modular version



\*non-contractual image

- Standard Power: 16.000 and 32.000 watts.
  - 16 inductors covering the entire vitroceramic surface.
  - Stainless steel casing with vitroceramic glass 6mm thickness.
  - Capacitive touches control panel and incremental encoder.
  - Power supply: 400V - AC 50/60 Hz.
  - Standards: complies with European Standards for safety of electrical appliances for EMC and for Rohs
- Réf : MO4NL 16000 : ADV1823  
MO4NL 32000 : ADV1703

MO2NL 8000 / MO2NL 16000



MO4NL 16000 / MO4NL 32000



millimeters  
inches



# HEAVY DUTY

## THREE-PHASES MODULAR

### INDUCTION GRIDDLE



MOP2I 8000.

- Standard Power: 8000 watts.
- Modular Plancha with two independent heating zones.
- Stainless steel casing with a grill surface in a multi layer composite material.
- 360° Knob controls with 4 digits temperature display.
- Power supply: 400V - AC 50/60 Hz.
- Standards: complies with European Standards for safety of electrical appliances for EMC and for Rohs
- Option: including washable filters. Power cord and spatula available upon request.
- Réf : MOP2I 8000 : ADV1660

\*non-contractual image

### INDUCTION GRIDDLE



MOP4I 16000.

- Standard Power: 16.000 watts.
- Modular Plancha with four independent heating zones.
- Stainless steel casing with a grill surface in a multi layer composite material.
- 360° Knob controls with 4 digits temperature display.
- Power supply: 400V - AC 50/60 Hz.
- Standards: complies with European Standards for safety of electrical appliances for EMC and for Rohs
- Option: including washable filters. Power cord and spatula available upon request.
- Réf : MOP4I 16000 : ADV1678

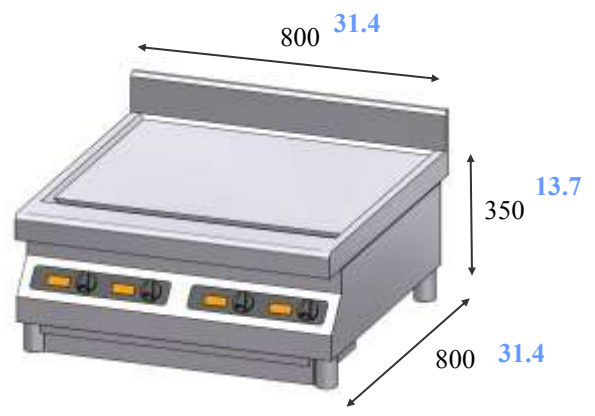
\*non-contractual image

MOP2I 8000



Non contractual photo

MOP4I 16000



Non contractual photo

millimeters  
inches



# HEAVY DUTY

## THREE-PHASES MODULAR

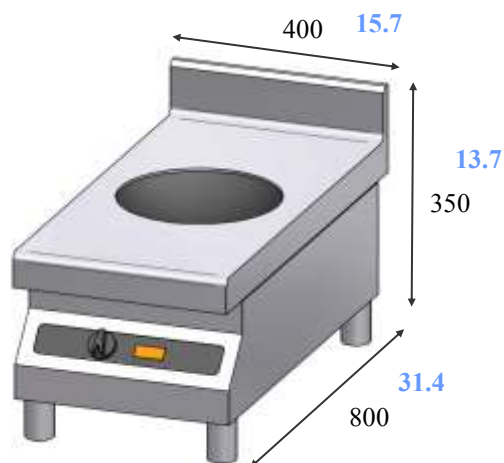


MOWI 8000.

- Standard Power: 8000 watts.
  - Modular Wok
  - Stainless steel casing with chamfered edges & with wok vitroceramic glass.
  - 360° Knob controls with 4 digits power display for each zone.
  - Power supply: 400V - AC 50/60 Hz.
  - Standards: complies with European Standards for safety of electrical appliances for EMC and for Rohs
  - Option: including washable filters. Power cord and wok pan.
- Réf : MOWI 8000 : ADV1661

Free Wok Pan

MOWI 7000



ADVENTYS



Made in France

# HEAVY DUTY

## CUPBOARDS



Cupboard 400.

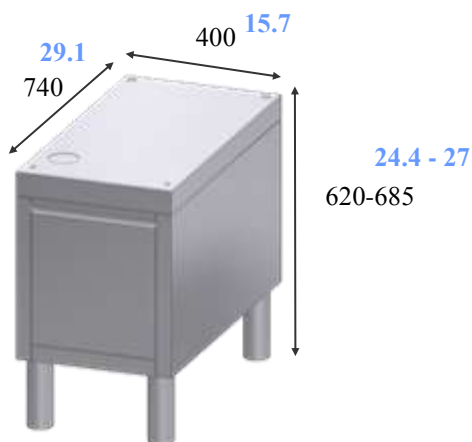
- Stainless steel construction.
- Specially adapted for our heavy duty line.
- Removable door.
- Holes for evacuation of planchas cooking juices.
- Designed and made in France.
- Réf : ADV1685



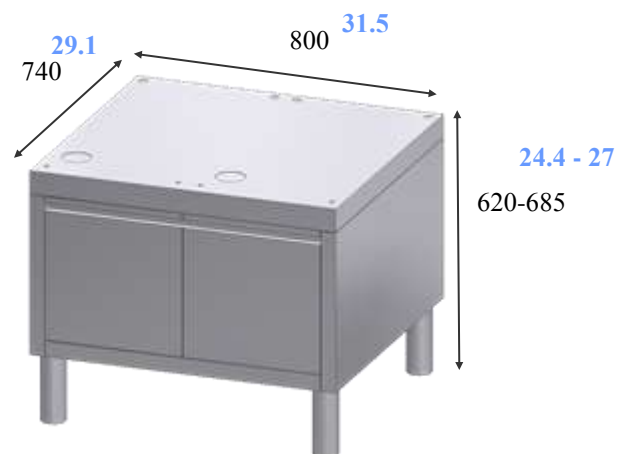
Cupboard 800.

- Stainless steel construction.
- Specially adapted for our heavy duty line.
- Removable door.
- Holes for evacuation of planchas cooking juices.
- Designed and made in France.
- Réf : ADV1686

MOP2I 8000



MOP4i 16000



millimeters

inches





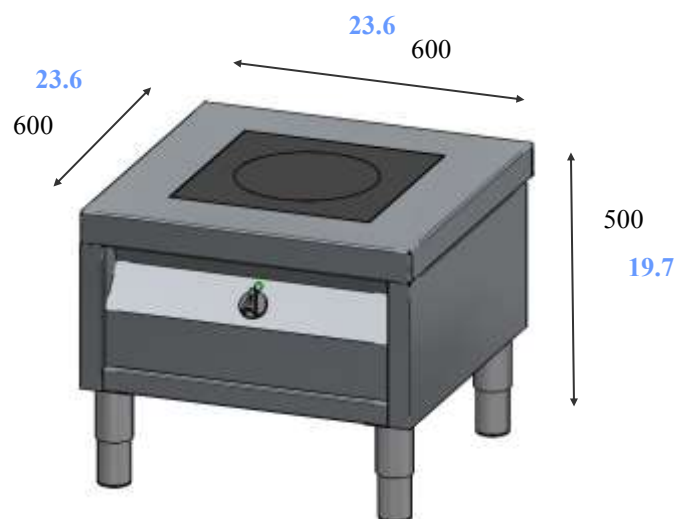
## THREE-PHASES STOCKPOT



FISP 8000 : Three-phases 8000 watts Stockpot.

- Stainless steel casing with vitroceramic glass 6mm thickness.
- Standard power : 8000 watts
- Knob control + led.
- Special product for cooking pots and large volume cooking.
- Standards: complies with European Standards for safety of electrical appliances for EMC and for Rohs
- Réf : FISP 8000 : ADV1687

*Dimension of pan : min 16 cm / max 50 cm*



 **ADVENTYS**

  
Made in France

millimeters  
inches

CUSTOM MADE



CUSTOM MADE



Fryers, bain-maries, pasta cookers...

Induction planchas 1,2 or 4 zones...

Induction hobs, induction woks...

Induction FreeZone up to 32000 watts...

Salamanders, ustensil supports...

Bespoke furniture with 15/20/25/30 mm worktop

Neutral areas, cut outs for gastro containers...

Cook and hold and refrigerated drawers...



Awarded :



QUOTE IN 48 HOURS

CUSTOM MADE

- ADVENTYS induction kit, wok, plancha, multizone, saucier
- Fryers
- Bain-marie
- Pasta cooker
- ...

Ask us for more information:  
[emmanuel.viverge@adventys.com](mailto:emmanuel.viverge@adventys.com)



Made in France

# Custom-made





## THREE-PHASES Free-Zone KITS



KNL4 : Free-zone induction kit 4000 or 8000 W  
KNL4 S : Induction saucier 4000 or 8000 W

- Multi-zone induction kit to integrate.
- Power : 4000 or 8000 W - vitroceramic : 360 x 360 mm.
- 4 inductors covering the entire vitroceramic surface.
- Capacitive touches control panel and incremental encoder.
- Power supply: 400V - AC 50/60 Hz.
- Awarded SMART LABEL INNOVATION HOST Milano 2017.

•Réf : KNL4 4000 : ADV1825  
KNL4 8000 : ADV1669  
KNL4 4000 S : ADV1826  
KNL4 8000 S : ADV1712

SMART  
LABEL



KNL8 : Free-zone induction kit 16.000 W

- Multi-zone induction kit to integrate.
- Power : 16.000 W - vitroceramic : 360 x 690 mm.
- 8 inductors covering the entire vitroceramic surface.
- Capacitive touches control panel and incremental encoder.
- Power supply: 400V - AC 50/60 Hz.
- Awarded SMART LABEL INNOVATION HOST Milano 2017.

•Réf : KNL8 8000 F : ADV1827  
KNL8 8000 S : ADV1828  
KNL8 16000 F : ADV1670  
KNL8 16000 S : ADV1781

SMART  
LABEL



KNL16 : Free-zone induction kit 32.000 W

- Multi-zone induction kit to integrate.
- Power : 32.000 W - vitroceramic : 690 x 690 mm.
- 16 inductors covering the entire vitroceramic surface.
- Capacitive touches control panel and incremental encoder.
- Power supply: 400V - AC 50/60 Hz.
- Awarded SMART LABEL INNOVATION HOST Milano 2017.

•Réf : KNL16 16000 S : ADV1830  
KNL16 16000 F : ADV1829  
KNL16 32000 S : ADV1757  
KNL16 32000 F : ADV1662

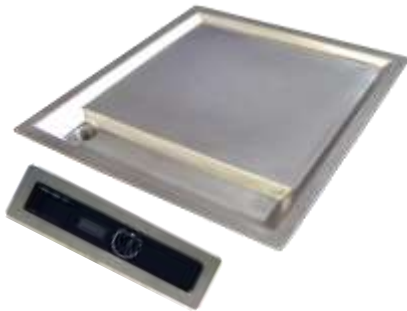
SMART  
LABEL

ADVENTYS

Made in France

# THREE-PHASES INDUCTION PLANCHAS

## INDUCTION GRIDDLE



P11M 4000.

- Standard Power: 4000 watts.
- Induction Plancha with one zone. Cooking surface : 330 x 300mm.
- Stainless steel casing with a grill surface in a multi layer composite material. Cooking surface : 330 x 300mm.
- 360° Knob controls with 4 digits temperature display drop in.
- Power supply: 400V - AC 50/60 Hz.
- Standards: complies with European Standards for safety of electrical appliances for EMC and for Rohs

Option: including washable filters. Power cord , plug and spatula available upon request.

•Réf : P11M 4000 : ADV1653



P21M 8000.

- Standard Power: 8000 watts.
- Induction Plancha with two independent heating zones.
- Stainless steel casing with a grill surface in a multi layer composite material. Cooking surface : 634 x 634mm.
- 360° Knob controls (x2) with 4 digits temperature display drop in.
- Power supply: 400V - AC 50/60 Hz.
- Standards: complies with European Standards for safety of electrical appliances for EMC and for Rohs

Option: including washable filters. Power cord , plug and spatula available upon request.

•Réf : P21M 8000 : ADV1654



P41M 16000. QUATTRO.

- Standard Power: 16000 watts.
- Induction Plancha with four independent heating zones.
- Stainless steel casing with a grill surface in a multi layer composite material. Cooking surface : 630 x 710mm.
- 360° Knob controls (x4) with 4 digits temperature display drop in.
- Power supply: 400V - AC 50/60 Hz.
- Standards: complies with European Standards for safety of electrical appliances for EMC and for Rohs

Option: including washable filters. Power cord , plug and spatula available upon request.

•Réf : P41M 16000 : ADV1397

## THREE-PHASES INDUCTION KITS

### KTi1 : Integrate induction kit 4000/6000 W



- Standard power : 4000 or 6000 W.
- Vitroceramic dimensions : 320 x 320 thickness 6 mm or 360 x 360 thickness 6 mm.
- Deported controls (1,5m) with capacitiv touches control panel with 4 digits display or with 360° knob with 4 digits display.
- Power supply:
  - 220V - AC 50/60 Hz.
  - 400V - AC 50/60 Hz.
  - 440V - AC 50/60 Hz.
- Compatible with TERA WATT energy optimizer.

	KTi1 4000	KTi1 6000
	4000W version Knob control with 4 digits display Vitroceramic : 360 x 360 mm	6000W version Knob control with 4 digits display Vitroceramic : 360 x 360 mm
Integrated generator	ADV1704	ADV1706
Deported generator (1,5m)	ADV1705	ADV1707

### KTi2 : Integrate induction kit 2 zones 8000/10.000/12.000 W



- Standard power : 8000 / 10.000 or 12.000 W.
- Vitroceramic dimensions : 360 x 690 thickness 6 mm or 325 x 600 thickness 6 mm.
- Deported controls (1,5m) with capacitiv touches control panel with 4 digits display or with 360° knob with 4 digits display.
- Power supply:
  - 220V - AC 50/60 Hz.
  - 400V - AC 50/60 Hz.
  - 440V - AC 50/60 Hz.
- Compatible with TERA WATT energy optimizer.

	KTi2 8000	KTi2 12000
	8000W version Knob control with 4 digits display Vitroceramic : 360 x 690 mm	12.000W version Knob control with 4 digits display Vitroceramic : 360 x 690 mm
Integrated generator	ADV1677	ADV1688
Deported generator (1,5m)	ADV1708	ADV1709

### KTWi : Integrate induction wok 4000 / 6000 W



- Standard power : 4000 or 6000 W.
- Deported controls (1,5m) with capacitiv touches control panel with 4 digits display or with 360° knob with 4 digits display.
- Power supply:
  - 220V - AC 50/60 Hz.
  - 400V - AC 50/60 Hz.
  - 440V - AC 50/60 Hz.
- Compatible with TERA WATT energy optimizer.

KTWi 6000 D

6000W version  
Deported generator (1,5m)  
Knob control with 4 digits display  
Vitroceramic + frame : 360 x 360 mm

ADV1711

 **ADVENTYS**

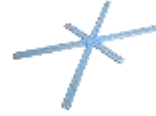
  
Made in France

# ACCESSORIES

Wok  
Ref : AC00001



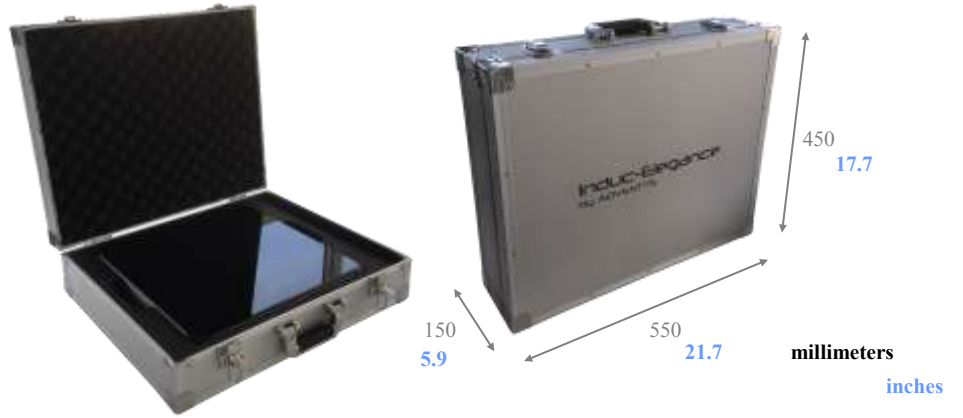
Induc-Stone spacer  
Ref : AC00013



Silicone seal frame for IE 300 F-DIR  
And IE 1000 F-DIR  
Ref: PP00125



Induc-Elegance transport  
case  
Réf : ADV1822-A



Made in France



# TESTIMONIES



William Boquelet - Chef Restaurant *La Pomme* - 1 Michelin Star  
Chef William is one of the first users of Adventys Induction Plancha Quattro.

« Being one of the first to use Adventys plancha, I have to say I am thrill with its power, its quickness, its efficiency, and its flexibility; along the fact that I am saving power. The precision of the plancha is sublime and there is no way I would like to go back to a tradition griddle. »



Fabrice Noir - Chef and Owner of Restaurants *Le Cheval Noir* et *L'Air du Temps* in Beaune.

« Adventys Induction gives you the freedom of movement, creativity, & simplicity. Both our restaurant are equipped with Adventys and I would not want it any other way. Cherry on top is the gain in cleaning time we have made from switching to our old gaz kitchen, to our Adventys Induction kitchen. »



Alexandre Couillon - Chef *La Marine* - Noirmoutier - 1 Michelin star

« At *La Marine*, our cooking is contemporary marine and 100% vegetal iodine, Adventys Induction and its flexibility gives us the power to grow our creativity. Start a shrimp broth at 110°C, add in it a fish and maintain in temperature at 58°C, without stopping everything else you are doing in the Kitchen. Induction sublimate products' quality...»



Thierry Molinengo - Chef and Right hand of Guy Martin - Grand Véfour - 2 Michelin Stars

« Powerful, instantaneous, precise, efficient and easy to manage are in a few words the quality of Adventys induction. Not only greener, the mastery of temperature will help Chefs create new recipes, which is for us, Chefs, a comfort and a usage without limits. »



Jérôme Roy - Chef *au Cloître* - Mane-en-Provence

« After you try and use Adventys Induction it is very hard to go back to other cooking devices. Third restaurant opening, third kitchen equipped by Adventys Induction. Its advantages are translated by a beautiful design, an easy cleaning process, speed, flexibility, security and of course by saving energy, power, and time. Cooking on Induction is cooking up to date. »





# CONTACTS

Export Manager:

Mathilde PEROT BELL  
mathilde.perot@adventys.com



France + Italy + Switzerland:

Patrick VIVERGE  
patrick.viverge@adventys.com



France + Belgium + Luxembourg +  
Maghreb + Spain:

Florian CIKALLESHI  
florian.cikalleshi@adventys.com



Sales Administration:

Vanessa ANDREETTO  
vanessa.andreetto@adventys.com



Antje KRIEGER

antje.krieger@adventys.com



Custom Made

Emmanuel VIVERGE  
emmanuel.viverge@adventys.com



Marketing

Clara Pellegrini  
marketing@adventys.com



After Sales

Emmanuel ROUGETET  
Emmanuel.rougetet@adventys.com



SEURRE





Made In France



MADE IN  
BURGUNDY

Adventys  
Route de Pagny  
21250 SEURRE  
France

Phone: + 33 380 204 615

Fax: + 33 380 204 219

Mail: [mathilde.perot@adventys.com](mailto:mathilde.perot@adventys.com)

Website: [www.adventys.com](http://www.adventys.com)

