

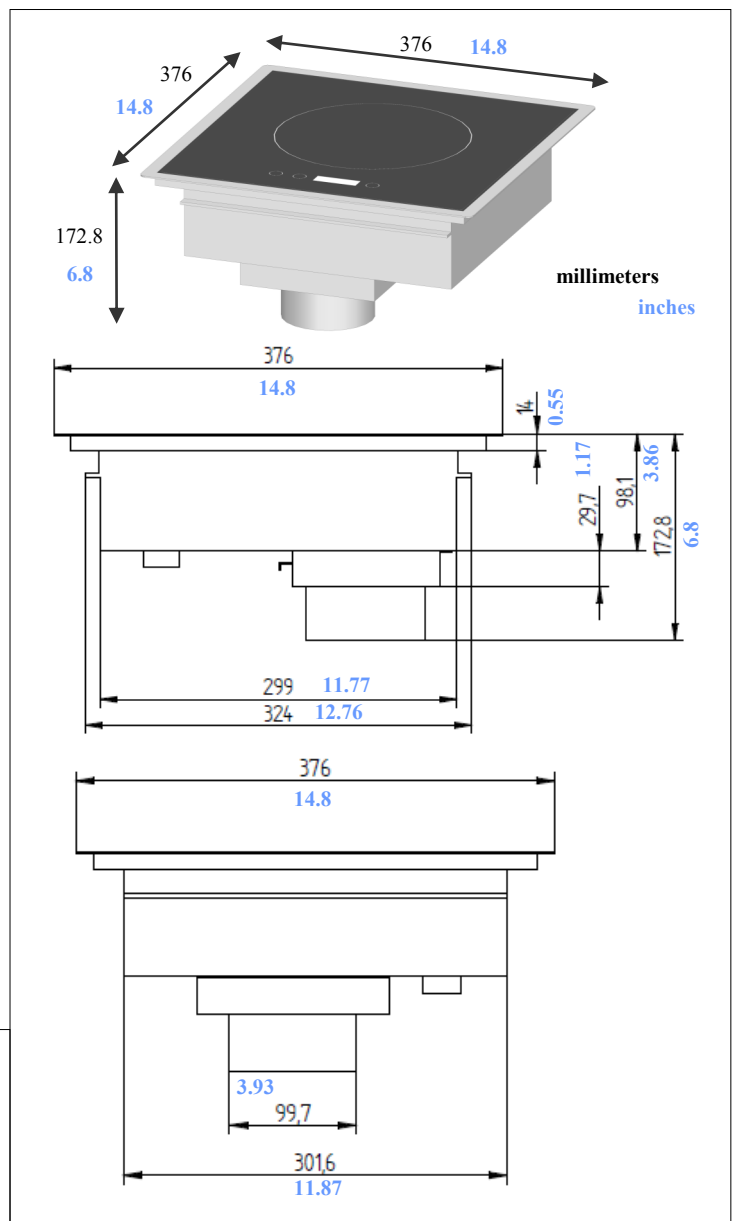


**MADE IN France**  
**READY TO INSTALL**

Setting	T° (°C)	T° (°F)
1	40	104
2	50	122
3	55	131
4	60	140
5	65	149
6	70	158
7	75	167
8	80	176
9	90	194

**TECHNICAL DATA / REF: ADV1638**

External structure	AISI 304 stainless steel with a stainless frame
Cooking surface	Vitroc ceramic top glass
Control panel	Glass touches
Amp load	3 A
Functions	On/Off, manual temperature setting (+/-) with 4 digits display and timer control
Power supply	230 V ; 208/240 V ; AC 50 - 60 Hz
Weight (net)	8 kg / 17.3 lbs
Standards	Complies with European standards for safety of electrical appliances, for EMC, for Rohs and Intertek NSF & UL standards.
Details and options	Including a power cord and a washable filter (wash regularly).



**Installation dimensions : 352 x 352 mm**

