

CS9

900mm Gas Salamander



CS9

- 900mm wide
- Dual high performance infrared burners
- Removable easy-clean bottom tray
- Independently controlled sides
- Flame failure protection on each burner
- Wall mounting bracket supplied
- Stainless steel finish
- Optional: Branding plate

OVERALL CONSTRUCTION

- Stainless steel exterior
- Vitreous enamelled control panel
- Aluminised steel interior
- Stainless steel crumb tray
- Chrome plated rack and rack supports
- Two individually controlled infra-red burners
- Suitable for bench or wall mounting

CONTROLS

- Large easy use control knobs
- Dual controls with variable high to low burner setting
- Flame failure on each burner

CLEANING AND SERVICING

- Removable grill rack system, rack supports and crumb tray
- Easy clean stainless steel exterior
- Access to all parts from front of unit

Matching Products



CW2H



CSP6



CN4



CT9



CW3H



CW1H



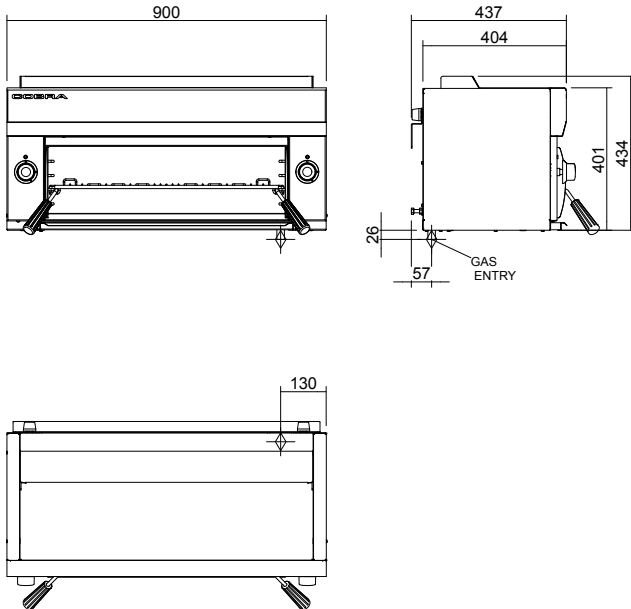
CP4



CS9 / C900-S

CS9

900mm Gas Salamander



CS9

SPECIFICATIONS

Burners
2 x 15.75MJ/hr, 4.4kW
Maximum consumption
31.5MJ/hr, 8.8kW
Cooking area
Rack size:
610mm x 310mm 1890cm²
Gas connection
R¹/₂" (BSP) female
130mm from right side,
25mm from rear
Dimensions
Width 900mm
Height 450mm
Depth 389mm
(422 with wall mounting bracket)
Nett weight
42kg

Packing data
0.32m³, 69kg
Width 940mm
Depth 520mm
Height 640mm
Gas types
Available in Natural gas and LP gas,
please specify when ordering
Options at extra cost
Branding Plate

moffat.com.au
moffat.co.nz

Australia
moffat.com.au

Moffat Pty Limited

Victoria/Tasmania
740 Springvale Road
Mulgrave, Victoria 3170
Telephone +613-9518 3888
Facsimile +613-9518 3833
vsales@moffat.com.au

New South Wales
Telephone +612-8833 4111
nswsales@moffat.com.au

South Australia
Telephone +613-9518 3888
vsales@moffat.com.au

Queensland
Telephone +617-3630 8600
qldsales@moffat.com.au

Western Australia
Telephone +618-9413 2400
wasales@moffat.com.au

New Zealand
moffat.co.nz

Moffat Limited

Rolleston
45 Illinois Drive
Izone Business Hub
Rolleston 7675
Telephone +64 3-983 6600
Facsimile +64 3-983 6660
sales@moffat.co.nz

Auckland
Telephone +64 9-574 3150
sales@moffat.co.nz



Cert. No. AGA 6878G

In line with policy to continually develop and improve its products, Moffat Limited reserves the right to change specifications and design without notice.

© Copyright Moffat Ltd
AN.C.01.19 / 1598