

M2C



START

- Turn on at wall
- Ensure the Upstand (2) and Wash Pump Filter (4) are in place and shut door
- Ensure the Scrap tray (1) is in place
- Press Power button for 3 seconds to turn machine on and begin the fill cycle

OPERATION

- Select cycle using Up/Down buttons (use the Heavy cycle whenever possible)
- Press Start Button (once this is Green or Orange) to begin washing
- Timer counts down to 00 then resets after door is opened

START BUTTON COLOURS

- | | | | |
|--|--|--|-----------------------------|
| | White = machine is filling | | Purple = door is open |
| | Red = cycle is running | | Orange = machine is heating |
| | Green = rinse water is up to temperature | | |

NOTE: The machine may be started while Orange light is on and while rinse water is being heated and the timer will pause at 22 seconds until rinse water is up to 83 degrees

SHUT DOWN – EVERY NIGHT

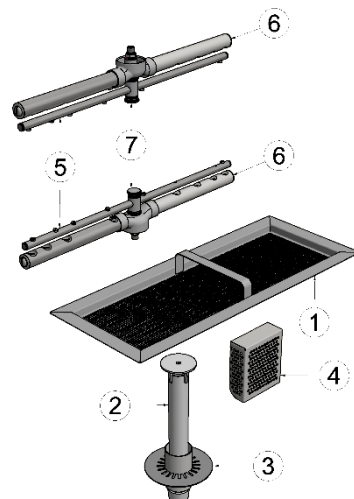
- Remove drain Upstand (2) and shut door
- Select Drain cycle via Up or Down buttons and press Start button
- When Drain cycle is finished after 100 seconds, remove and rinse Scrap tray (1) and Wash Pump Filter (4) before replacing back in machine along with Upstand (2)

CLEANING – AT LEAST ONCE A WEEK

Remove, rinse and replace:

Scrap Tray	1
Upstand	2
Drain Filter	3
Wash Pump Filter	4
Rinse Arm	5
Wash Arm	6
Thumbscrews	7

Inspect and clear all jets in the wash and rinse arms



SUGGESTED BEST PRACTICE

- | | |
|-----------|--|
| Pre-rinse | Scrape and/or rinse plates and glasses in cool water |
| Chemical | Use good quality non foaming commercial detergent and drying agent
Do not use domestic detergent which will cause the machine to foam |