

# XG



## START

- Turn on at wall
- Ensure the Filter (2) is in place
- Ensure the Upstand (1) is in place and shut door
- Press the Power button, the Wash light glows amber when the wash tank is full

## OPERATION

- Ready light glows amber once the rinse water is up to temperature.
- Load rack into machine and shut door
- Press Start button, the Cycle light glows green while machine is operating.

NOTE: The machine may be started once the Wash light glows amber and the Ready light is off, however it will continue to wash until the rinse water has been heated to 83 degrees

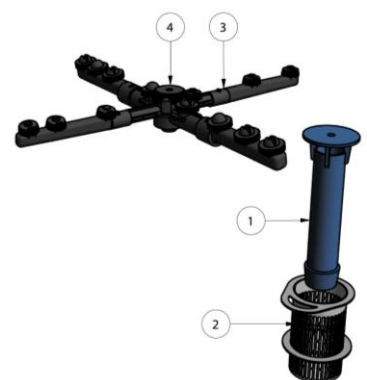
## SHUT DOWN - EVERY NIGHT

- Open the door and press the Drain button
- Remove Upstand (1) once the top of this is above the level of the water
- Allow to drain for approximately 1 minute
- Turn Drain and Power buttons off
- Remove and rinse Filter (2) before replacing back in machine along with the Upstand (1)

## CLEANING – AT LEAST ONCE A WEEK

Remove, rinse and replace:

Upstand	1
Filter	2
Wash/rinse Arm	3
Thumbscrew	4



Inspect and clear all jets in the wash/rinse arm

## SUGGESTED BEST PRACTICE

- |           |  |
|-----------|--|
| Pre-rinse | Rinse glasses in cool water (especially if used for juice and cocktails)   |
| Chemical  | Use good quality non foaming commercial detergent and drying agent<br>Do not use domestic detergent which will cause the machine to foam |