

Specifications

Mini Bottler

104 Counter Top

BRITA Professional Bottling System

- Dispenses 80 litres per hour of Filtered Chilled Still and Sparkling water
- Re-usable glass Bottles in 750ml and 425ml sizes
- Save the environment – eliminate regular deliveries as well as the disposal of empty Bottles and packaging
- Uses a high performance Ice Bank refrigeration system to achieve very high volumes of Chilled water at low temperatures
- Power saving option to reduce electricity consumption
- Eliminate any storage issues
- Bottle washing tray designed to fit clients own washing systems
- Removable dispense nozzles for hygiene reasons
- Plumb to waste option
- Remote CO₂ cylinder
- Multiple dispense tap options
- Can be installed in component parts as a space saving option
- Substantially reduce costs of purchasing pre-bottled mineral waters
- Anti-flood detection + PLV included

Product Dispensed

Filtered Chilled Still and Sparkling water

Application

Designed typically to be installed as a counter top unit in a kitchen bar/front of house office area for filling BRITA Professional re-usable Designer Bottles.

Equipment Dimensions

- Width: 375mm
- Depth: 500mm
- Height: 540mm

Installation Specifications

The following services are required:

- 1 x mains water supply terminating in a 15mm shut off valve (to connect to a 15mm compression fitting)
- Minimum water pressure 2.0 bar
- Minimum water flow 200 litres per hour
- 1 x 10 amp electrical socket 220/240V AC 50hz
- Electrical run current 3 amps



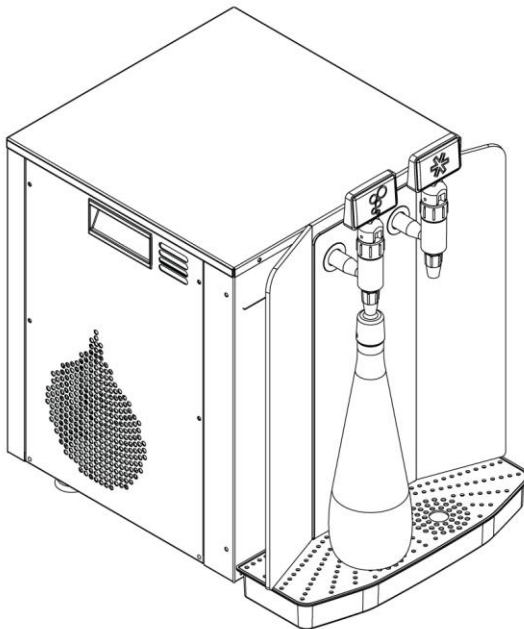
- Energy: 565W (max), 3.15 amps (max), power consumed during sleep mode (24 hours) 1.7Kwh, energy consumed for 12 hours operation 4.8Kwh, energy consumed for 1 hour operation 0.4Kwh

Location of Services

Electrical socket should be located next to the unit. The Mains Water Supply should be located beneath the counter.

Ventilation

There must be a gap of at least 100mm for ventilation on both the left and right hand sides of the unit.



Adjust height of feet to ensure a clearance distance of between 2mm to 5mm from the top of the Drip Tray to the bottom of the front panel

